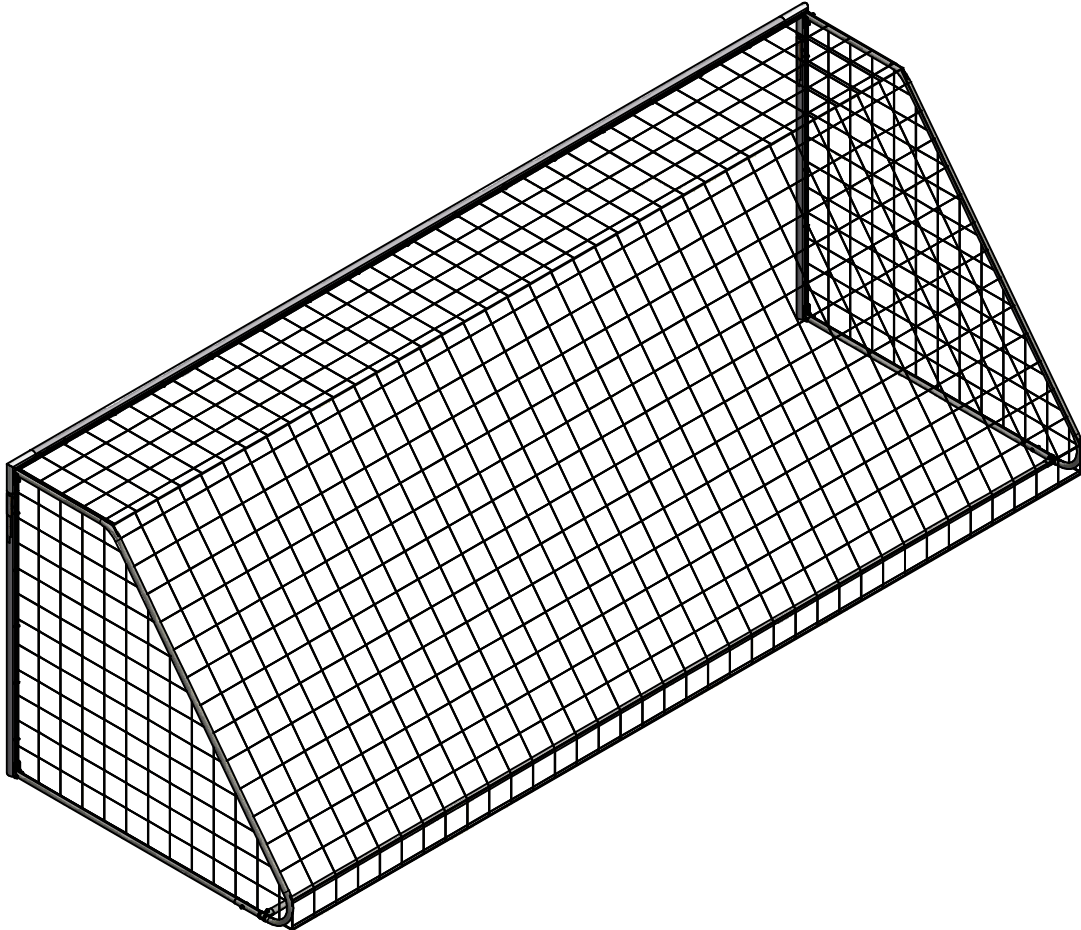


Models included in these instructions:

**SG3RD046PTN, SG3RD459PTN, SG3RD612PTN, SG3RD618PTN, SG3RD751PTN, SG3RD824PTN
SG3RD046PTW, SG3RD459PTW, SG3RD612PTW, SG3RD618PTW, SG3RD721PTW, SG3RD824PTW**



CONSUMER PRODUCT SAFETY ALERT

From the U.S. Consumer Product Safety Commission, Washington, D.C.
Portable/Movable Soccer Goals can fall over causing serious injury or death. Securely anchor or counter weight portable goals at ALL times. Check ALL connecting hardware before EVERY use. When goals are not in use: tip goal on face, chain to nearby fence or store in secure area.

Installation and Assembly Instructions



Gared Holdings, LLC
9200 E. 146th St.
Noblesville, IN 46060

**3" ROUND SOCCER GOAL ASSEMBLY
INSTRUCTIONS**

FILE LOC. Q:\Inventor Files\

DATE	SHT. NO.	PART NO.	REV
8/16/2016	1 OF 12	SG3RD-INST	

Table of Contents

<u>Section</u>	<u>Page No.</u>
Introduction	2
Cautions and Warnings	3
Parts Checklist	4
Overview	6
Upright & Crossbar Assembly	7
Backstay Assembly	8
Backstay Bar Assembly	10
Net Assembly	11
Anchoring the Goals	12
Storage	12

Introduction

Thank you for your purchase of a Gared Touchline Soccer Goal. To ensure that our equipment will provide years of use to you, we are including this installation, and maintenance guide. This guide will provide information on the proper assembly and installation of your 3" Round Touchline Soccer Goals.

Please note that a Bill of Materials is being included with this guide. Please check that all of the parts called out on the Bill of Materials are present prior to beginning assembly and setup. Please do not substitute for factory parts. Please contact the Gared Sports customer service department and allow them to determine if substitute parts are acceptable.

It is recommended that an individual who has been properly trained perform assembly and set up of the backstop. No one under the age of 18 should attempt assembly or set up of the unit, unless properly supervised.

To prevent normal wear and tear from shortening the life of the unit, preventative maintenance inspections and repairs should be performed at least once per sport season. If the units are subject to high or unusual usage, inspections should be scheduled to occur more frequently. If items are found to be nonconforming, replacements can be ordered from Gared Sports or one of our authorized dealers. When contacting Gared Sports, please have information regarding the dealer/installer who sold the unit, the name of the project, and any applicable warranty information.

Read and understand the following warnings to prevent possible personal injury and potential damage to the equipment during assembly, setup, and operation.

Before proceeding with assembly, read all instructions and assembly procedures. Make sure all parts have been received and are not damaged.

Installation and Assembly Instructions



Gared Holdings, LLC
9200 E. 146th St.
Noblesville, IN 46060

3" ROUND SOCCER GOAL ASSEMBLY INSTRUCTIONS			
FILE LOC. Q:\Inventor Files\			
DATE	SHT. NO.	PART NO.	REV
8/16/2016	2 OF 12	SG3RD-INST	

⚠ WARNING

• This goal should be securely anchored at all times • This goal is not to be stored or used on a slope or hill area • Check that all fastenings are fully tightened before using this product • Check fastenings periodically after using goal • Goal shall be secured against overturning at all times • Do not climb on net or framework • this goal is designed to be used for soccer only

126201545

"Meets Safety and
Performance Specification"
ASTM F2950-14

126201548

⚠ WARNING

ALWAYS ANCHOR GOAL
UNSECURED GOAL CAN FALL OVER
CAUSING INJURY OR DEATH

126201547

⚠ WARNING

NEVER CLIMB ON GOAL
GOAL CAN FALL OVER CAUSING
SERIOUS INJURY OR DEATH

126201546

These Warning Labels have been affixed to your goals prior to shipment from the factory.

The labels are laminated with an ultraviolet protective layer to protect from fading. However, after years of exposure, they may fade.

Should they become illegible or be removed from your goal, you may obtain replacements by contacting Gared Sports Customer Service at 1-800-325-2682.

Request labels by part number listed in the lower right hand corner of the label.

Read, Understand, and Follow all instructions listed in this manual.
Failure to follow these instructions could result in damage to the equipment or personal injury.

Check for structural integrity and proper connecting hardware before every use. Replace damaged or missing parts or fasteners immediately.

Ensure safety/warning labels are clearly visible (placed under crossbar and on the sides of the uprights at eye level).

Securely anchor moveable soccer goals at ALL times, except when being moved.

Always instruct player, managers, coaches, trainers, teachers, maintenance workers, and all other personnel who might come in contact with goal, on the safe handling of and potential dangers associated with moveable goals.

Always exercise extreme caution when moving goals and provide adequate manpower to move goals of varied sizes and weights. Movable soccer goals should only be moved by authorized personnel.

NEVER allow anyone to climb on the net or goal framework.

Moveable soccer goals should only be used on LEVEL fields, NEVER on a slope or hill area.

Remove Nets when goals are not in use.

Most tip-over injuries occurred when the goals were unattended. Anchor or chain one goal to another or to nearby fence posts, dugouts, or any other similar sturdy fixture when not in use. If this is not practical, store moveable soccer goals in a place where children cannot have access to them.

Fully disassemble goals for seasonal storage.

Installation and Assembly Instructions



Gared Holdings, LLC
9200 E. 146th St.
Noblesville, IN 46060

3" ROUND SOCCER GOAL ASSEMBLY INSTRUCTIONS

FILE LOC. Q:\Inventor Files\

DATE

8/16/2016

SHT. NO.

3 OF 12

PART NO.

SG3RD-INST

REV

**As Shipped from Factory Parts List
(Quantities are for a pair of goals)**

Part Number	Description	QTY					
		SG3RD046PT*	SG3RD459PT*	SG3RD612PT*	SG3RD618PT*	SG3RD721PT*	SG3RD824PT*
656202152*	CORNER WELDMENT PACKAGE	2	2	2	2	2	2
656202154*	UPRIGHT PACKAGE, 4' H GOALS	2					
656202156*	UPRIGHT PACKAGE, 4'-6" H GOALS		2				
656202158*	UPRIGHT PACKAGE, 6'-6" H GOALS			2	2		
656202160*	UPRIGHT PACKAGE, 7' H GOALS					2	
656202162*	UPRIGHT PACKAGE, 8' H GOALS						2
656202164*	CROSSBAR PACKAGE, 6'W GOALS	2					
656202166*	CROSSBAR PACKAGE, 9'W GOALS		2				
656202168*	CROSSBAR PACKAGE, 12'W GOALS			2			
656202170*	CROSSBAR PACKAGE, 18' -6"W GOALS				2		
656202172*	CROSSBAR PACKAGE, 21' W GOALS					2	
656202174*	CROSSBAR PACKAGE, 24' W GOALS						2
656202176	BACKSTAY PACKAGE, 4'H (1.66 OD)	2					
656202178	BACKSTAY PACKAGE, 4'-6"H (1.66 OD)		2				
656202180	BACKSTAY PACKAGE, 6'-6"H (1.66 OD)			2	2		
656202182	BACKSTAY PACKAGE, 7'H (1.66 OD)					2	
656202184	BACKSTAY PACKAGE, 8'H (1.66 OD)						2
656202411	B'STAY BAR 12'W GOAL (1.66 ODX144"L)			2			
656202408	B'STAY BAR 18'-6"W GOAL (1.66 ODX222"L)				2		
656202405	B'STAY BAR 21'W GOAL (1.66 ODX252"L)					2	
656202402	B'STAY BAR 24'W GOAL (1.66 ODX288"L)						2
656202193	HARDWARE PACKAGE, 4' & 4'-6" H GOALS	2	2				
656202194	HARDWARE PACKAGE, 7' & 8' H GOALS					2	2
656202195	HARDWARE PACKAGE, 6'-6" H GOALS			2	2		
SN46-2W	NET, 4' X 6' GOAL (1 PAIR)	1					
SN49-2W	NET, 4.5' X 8' GOAL (1 PAIR)		1				
SN612-2W	NET, 6.5' X 12' GOAL (1 PAIR)			1			
SN618-3W	NET, 6.5' X 18.5' GOAL (1 PAIR)				1		
SN721-3W	NET, 7' X 21' GOAL (1 PAIR)					1	
SN824-3W	NET, 8' X 24' GOAL (1 PAIR)						1

* P/N WILL END IN "W" FOR WHITE PAINTED GOALS; P/N WILL END IN "N" FOR UNPAINTED NATURAL FINISHED GOALS.

Note:

On the following page, the Item numbers listed in the Assembly Parts list can be found in the above packages as follows:

Item 1 is located in the Corner Weldment Package

Item 2 is located in the Upright Package

Item 3 is located in the Crossbar Package

Items 4 & 5 are located in the Backstay Package

Item 8 is not packaged and is the Backstay Bar

Items 6, 7, 22, 23, 24, and 10 thru 20 are located in the Hardware Package

Installation and Assembly Instructions



Gared Holdings, LLC
9200 E. 146th St.
Noblesville, IN 46060

3" ROUND SOCCER GOAL ASSEMBLY INSTRUCTIONS			
FILE LOC. Q:\Inventor Files\			
DATE	SHT. NO.	PART NO.	REV
8/16/2016	4 OF 12	SG3RD-INST	

Goal Assembly Parts List (Quantities are for one goal)

Item	Part Number	Description	QTY					
			SG3RD046PT*	SG3RD459PT*	SG3RD612PT*	SG3RD618PT*	SG3RD721PT*	SG3RD824PT*
1	656202360*	CORNER WELDMENT, 3RD CROSSBAR	2	2	2	2	2	2
2	656202398*	UPRIGHT, 3RD 42" LONG 4' H GOALS	2					
	656202394*	UPRIGHT, 3RD 48" LONG 4'-6" H GOALS		2				
	656202386*	UPRIGHT, 3RD 72" LONG 6'-6" H GOALS			2	2		
	656202381*	UPRIGHT, 3RD 78" LONG 7' H GOALS					2	
	656202376*	UPRIGHT, 3RD 90" LONG 8' H GOALS						2
3	656202399*	CROSSBAR, 3RD 60" LONG 6'W GOALS	1					
	656202395*	CROSSBAR, 3RD 96" LONG 9'W GOALS		1				
	656202391*	CROSSBAR, 3RD 132" LONG 12'W GOALS			1			
	656202387*	CROSSBAR, 3RD 210" LONG 18'-6"W GOALS				1		
	656202382*	CROSSBAR, 3RD 240" LONG 21' W GOALS					1	
	656202377*	CROSSBAR, 3RD 276" LONG 24' W GOALS						1
4	656202414	BACKSTAY, BENT 4'H (1.66 OD)	2					
	656202412	BACKSTAY, BENT 4'-6"H (1.66 OD)		2				
	656202406	BACKSTAY, BENT 6'-6"H (1.66 OD)			2	2		
	656202403	BACKSTAY, BENT 7'H (1.66 OD)					2	
	656202400	BACKSTAY, BENT 8'H (1.66 OD)						2
5	656202407	BACKSTAY STRT 6'-6"H (1.660ODX69"L)			2	2		
	656202404	BACKSTAY STRT 7'H (1.660ODX75"L)					2	
	656202401	BACKSTAY STRT 8'H (1.660ODX87"L)						2
6	656202416	BRACKET, BACKSTAY ATTACHMENT	4	4	4	4	4	4
7	656202371	CLAMP PLATE	4	4	4	4	4	4
8	656202411	B'STAY BAR 12'W GOAL (1.66 ODX144"L)			1			
	656202408	B'STAY BAR 18'-6"W GOAL (1.66 ODX222"L)				1		
	656202405	B'STAY BAR 21'W GOAL (1.66 ODX252"L)					1	
	656202402	B'STAY BAR 24'W GOAL (1.66 ODX288"L)						1
9	651653590	CLAMP (2 HALVES), 1.66x1.66 TEE			2	2	2	2
10	502-5-18-14SS	HEX BOLT, 5/16-18 UNC X 0.875	8	8	8	8	8	8
11	501-5-18-40SS	BOLT, CARRIAGE 5/16-18 UNC X 2.5 SS			2	2	2	2
12	502-6-16-28SS	HEX BOLT, 3/8-16 UNC X 1.75 SS	8	8	8	8	8	8
13	502-6-16-44SS	HEX BOLT, 3/8-16 UNC X 2.75 SS	4	4	4	4	4	4
14	509-5-18-38SS	HEX SOCKET BUTTON HEAD 5/16-18 X 2.375			2	2	2	2
15	545-5-18SS	HEX NUT, NYLON LOCK 5/16-18 SS			4	4	4	4
16	545-6-16SS	HEX NUT, NYLON LOCK 3/8-16 SS	4	4	4	4	4	4
17	561-5SS	FLAT WASHER 5/16 STAINLESS STEEL	2	2	6	6	6	6
18	561-6SS	FLAT WASHER 3/8 STAINLESS STEEL	16	16	16	16	16	16
19	562-6SS	SPLIT LOCK WASHER 3/8 SS	8	8	8	8	8	8
20	562-5SS	SPLIT LOCK WASHER 5/16 SS	8	8	8	8	8	8
21	See Page 4	Net	1	1	1	1	1	1
22	651652567	Net Clip	18	20	25	25	35	40
23	651652570	J-STAKE ANCHOR	4	4	4	4	4	4
24	656202389	VELCRO STRAP FOR SOCCER NETS	12	12	12	12	12	12

* P/N WILL END IN "W" FOR WHITE PAINTED GOALS; P/N WILL END IN "N" FOR UNPAINTED NATURAL FINISHED GOALS.

Installation and Assembly Instructions



Gared Holdings, LLC
9200 E. 146th St.
Noblesville, IN 46060

3" ROUND SOCCER GOAL ASSEMBLY INSTRUCTIONS

FILE LOC. Q:\Inventor Files\

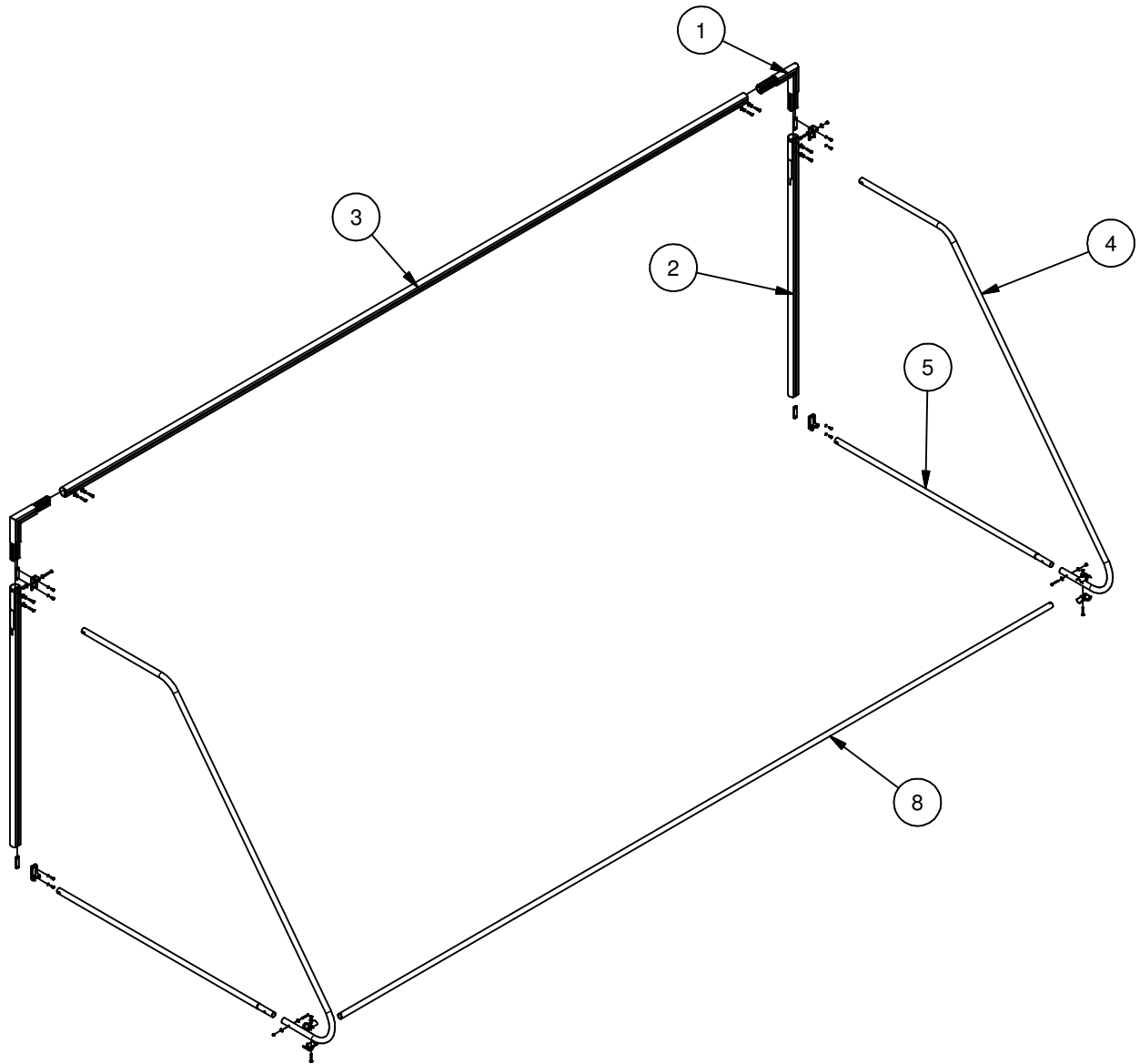
DATE 8/16/2016

SHT. NO. 5 OF 12

PART NO. SG3RD-INST

REV

View shown is for Models SG3RD612PT*, SG3RD618PT*, SG3RD721PT*, and SG3RD824PT*. Items 5 and 8 are not required for Models SG3RD046PT* and SG3RD459PT*.



Installation and Assembly Instructions



Gared Holdings, LLC
9200 E. 146th St.
Noblesville, IN 46060

3" ROUND SOCCER GOAL ASSEMBLY INSTRUCTIONS

FILE LOC. Q:\Inventor Files\

DATE 8/16/2016

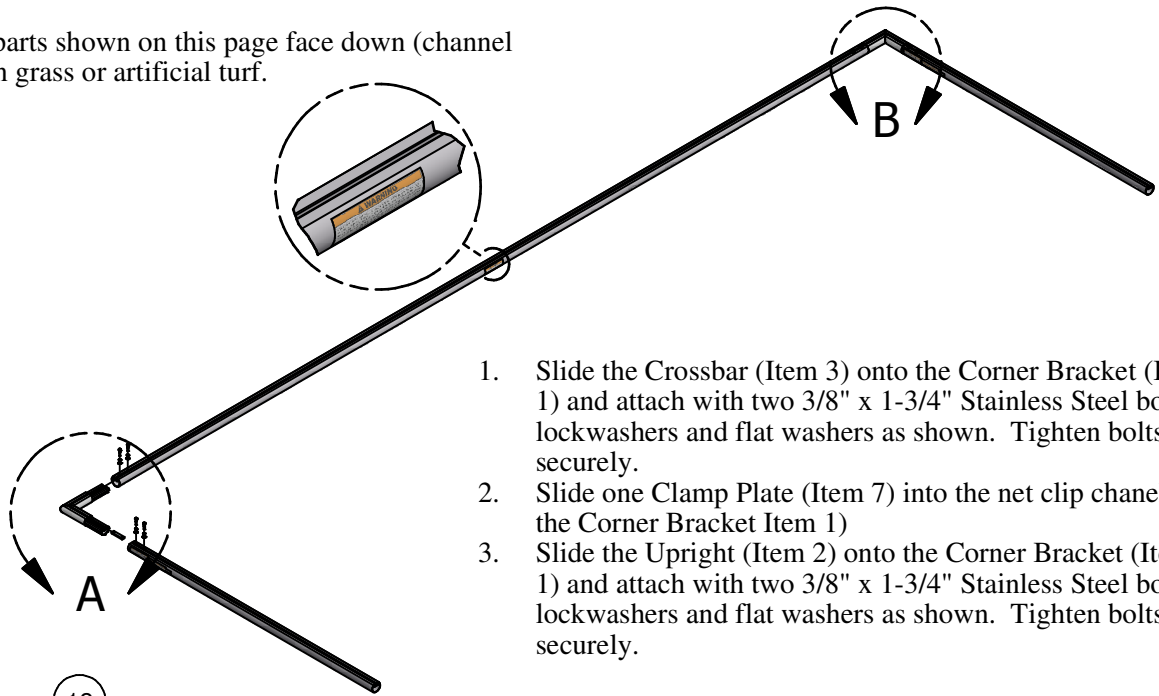
SHT. NO. 6 OF 12

PART NO. SG3RD-INST

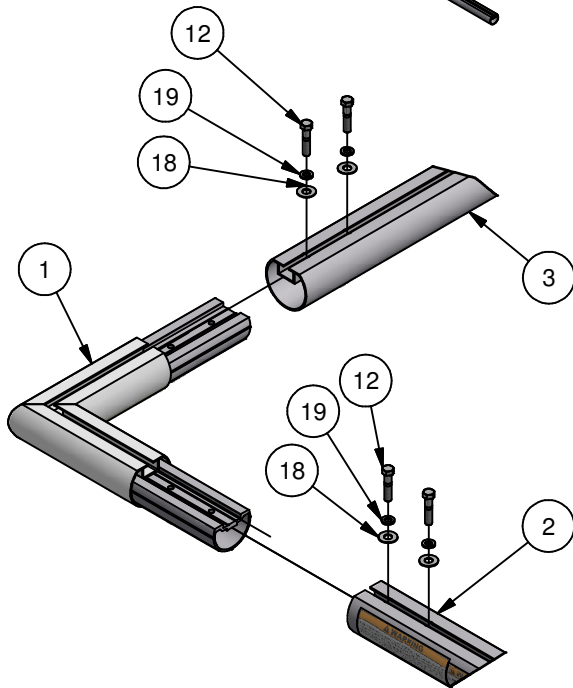
REV

UPRIGHT AND CROSSBAR ASSEMBLY

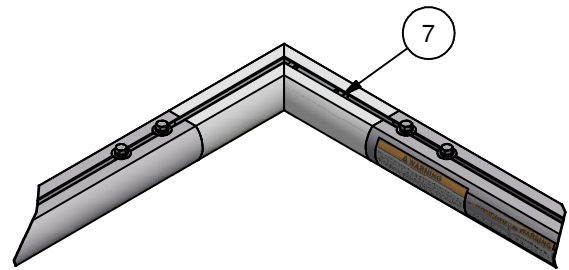
Place the parts shown on this page face down (channel side up) on grass or artificial turf.



1. Slide the Crossbar (Item 3) onto the Corner Bracket (Item 1) and attach with two 3/8" x 1-3/4" Stainless Steel bolts, lockwashers and flat washers as shown. Tighten bolts securely.
2. Slide one Clamp Plate (Item 7) into the net clip channel of the Corner Bracket Item 1)
3. Slide the Upright (Item 2) onto the Corner Bracket (Item 1) and attach with two 3/8" x 1-3/4" Stainless Steel bolts, lockwashers and flat washers as shown. Tighten bolts securely.



DETAIL A
SCALE 1/10
EXPLODED VIEW



DETAIL B
SCALE 1/10
ASSEMBLED VIEW

Installation and Assembly Instructions



Gared Holdings, LLC
9200 E. 146th St.
Noblesville, IN 46060

3" ROUND SOCCER GOAL ASSEMBLY INSTRUCTIONS

FILE LOC. Q:\Inventor Files\

DATE 8/16/2016

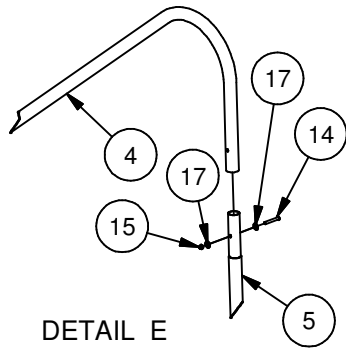
SHT. NO. 7 OF 12

PART NO. SG3RD-INST

REV

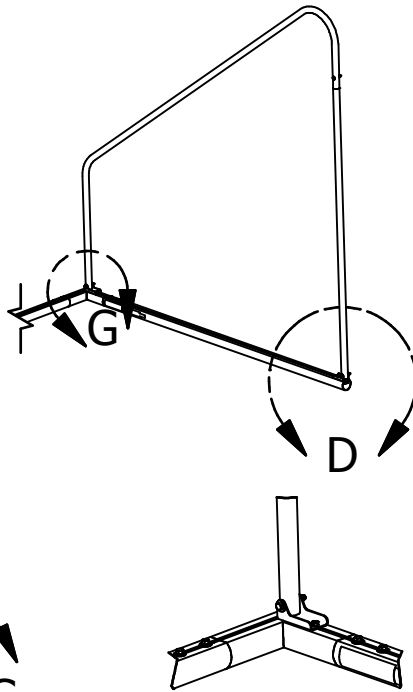
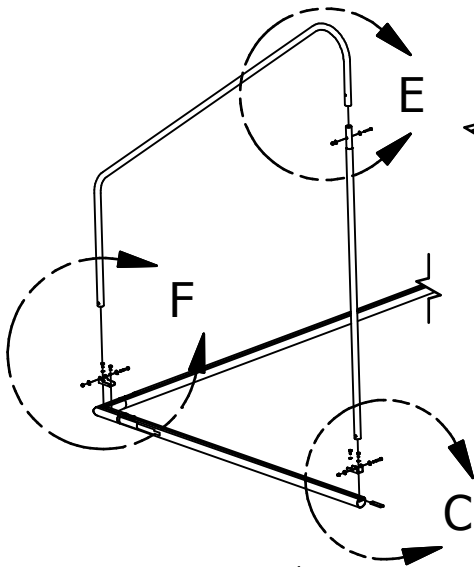
BACKSTAY ASSEMBLY

Models: SG3RD612PT*, SG3RD618PT*, SG3RD721PT*, and SG3RD824PT*

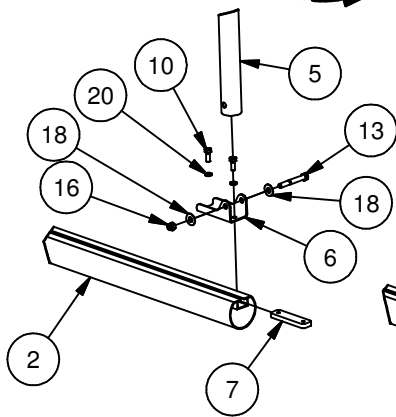


DETAIL E
SCALE 1 / 25
EXPLODED VIEW

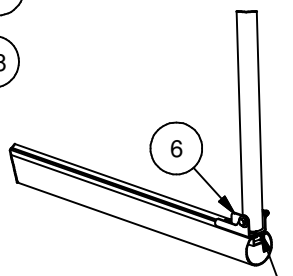
1. Slide a Clamp Plate (Item 7) into the net clip channel at the bottom of each Upright (Item 2) as shown.
2. Attach the Backstay Attachment Bracket (Item 6) to the Clamp Plate at the bottom of each Upright using two 5/16" x 7/8 " Bolts and 5/16" lockwashers. Make sure the bottom of the bracket is flush with the bottom of the upright and tighten the bolts securely.
3. Attach the other two Backstay Brackets to the Clamp Plates already installed in the corner brackets at the top of the Uprights. Do not tight bolts at this time.
4. Assemble the Bent Backstay (Item 4) to the straight Backstay (Item 5) as shown.
5. Position the assembled backstay onto the backstay bracket at the bottom using a 3/8" x 2-3/4" bolt for temporary placement. Align the top of the backstay with the top backstay bracket and tighten the top backstay bracket bolts securely.
6. Attach the assembled backstay to the backstay brackets as shown and tighern all bolts.



DETAIL G
SCALE 1/16
ASSEMBLED VIEW

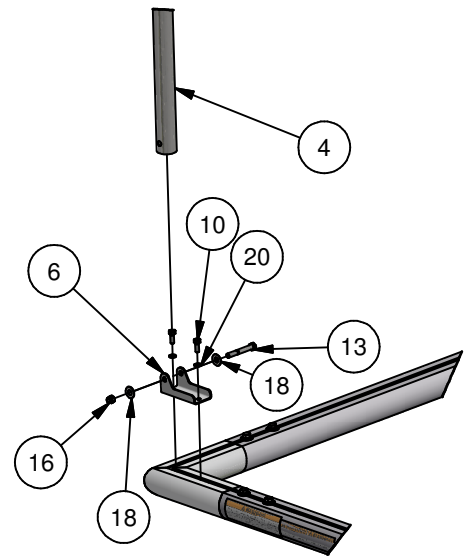


DETAIL C
SCALE 1/16
EXPLODED VIEW



DETAIL D
SCALE 1/16
ASSEMBLED VIEW

Item 6 to be flush with bottom of upright



DETAIL F
SCALE 1/16
EXPLODED VIEW

Installation and Assembly Instructions



Gared Holdings, LLC
9200 E. 146th St.
Noblesville, IN 46060

3" ROUND SOCCER GOAL ASSEMBLY INSTRUCTIONS

FILE LOC. Q:\Inventor Files\

DATE 8/16/2016

SHT. NO. 8 OF 12

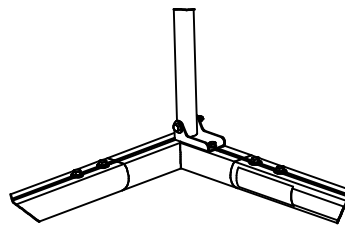
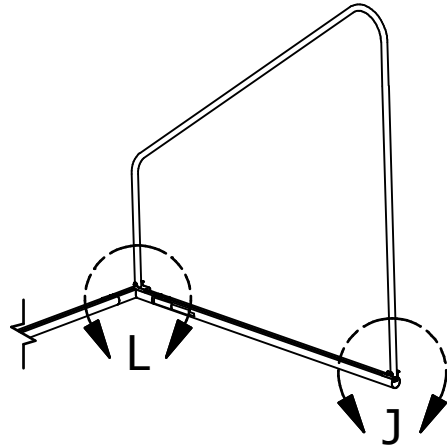
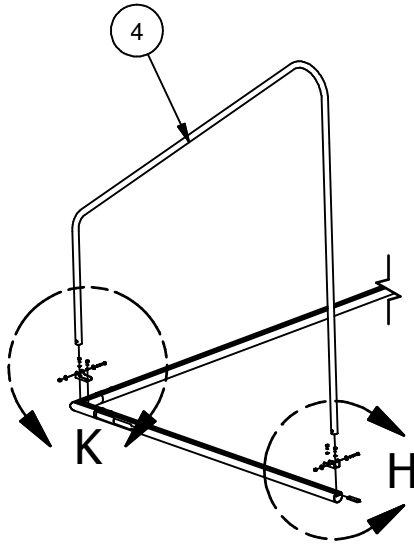
PART NO. SG3RD-INST

REV

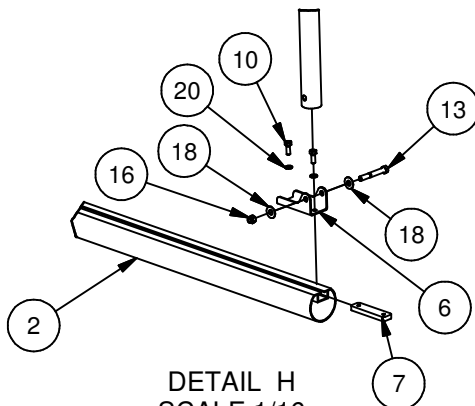
BACKSTAY ASSEMBLY

Models: SG3RD046PT* and SG3RD459PT*

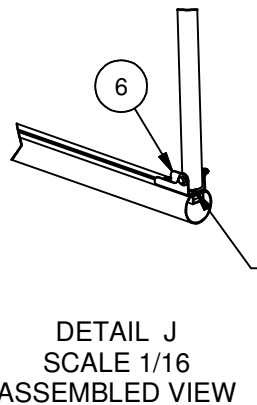
1. Slide a Clamp Plate (Item 7) into the net clip channel at the bottom of each Upright (Item2) as shown.
2. Attach the Backstay Attachment Bracket (Item 6) to the Clamp Plate at the bottom of each Upright using two 5/16" x 7/8 " Bolts and 5/16" lockwashers. Make sure the bottom of the bracket is flush with the bottom of the upright and tighten the bolts securely.
3. Attach the other two Backstay Brackets to the Clamp Plates already installed in the corner brackets at the top of the Uprights. Do not tight bolts at this time
4. Position the backstay onto the backstay bracket at the bottom using a 3/8" x 2-3/4" bolt for temporary placement. Align the top of the backstay with the top backstay bracket and tighten the top backstay bracket bolts securely.
5. Attach the backstay to the backstay brackets as shown and tighern all bolts.



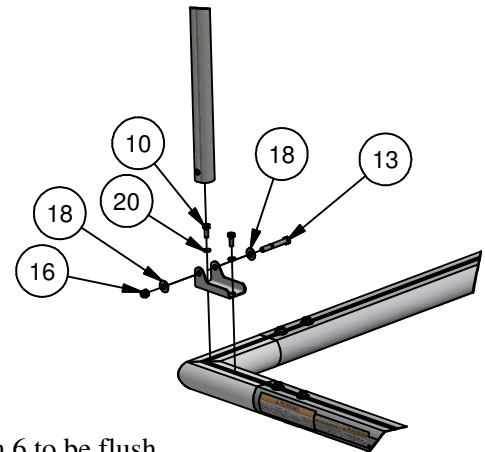
DETAIL L
SCALE 1/16
ASSEMBLED VIEW



DETAIL H
SCALE 1/16
EXPLODED VIEW



Item 6 to be flush
with bottom of
upright



DETAIL K
SCALE 1/16
EXPLODED VIEW

Installation and Assembly Instructions



Gared Holdings, LLC
9200 E. 146th St.
Noblesville, IN 46060

3" ROUND SOCCER GOAL ASSEMBLY INSTRUCTIONS

FILE LOC. Q:\Inventor Files\

DATE 8/16/2016

SHT. NO. 9 OF 12

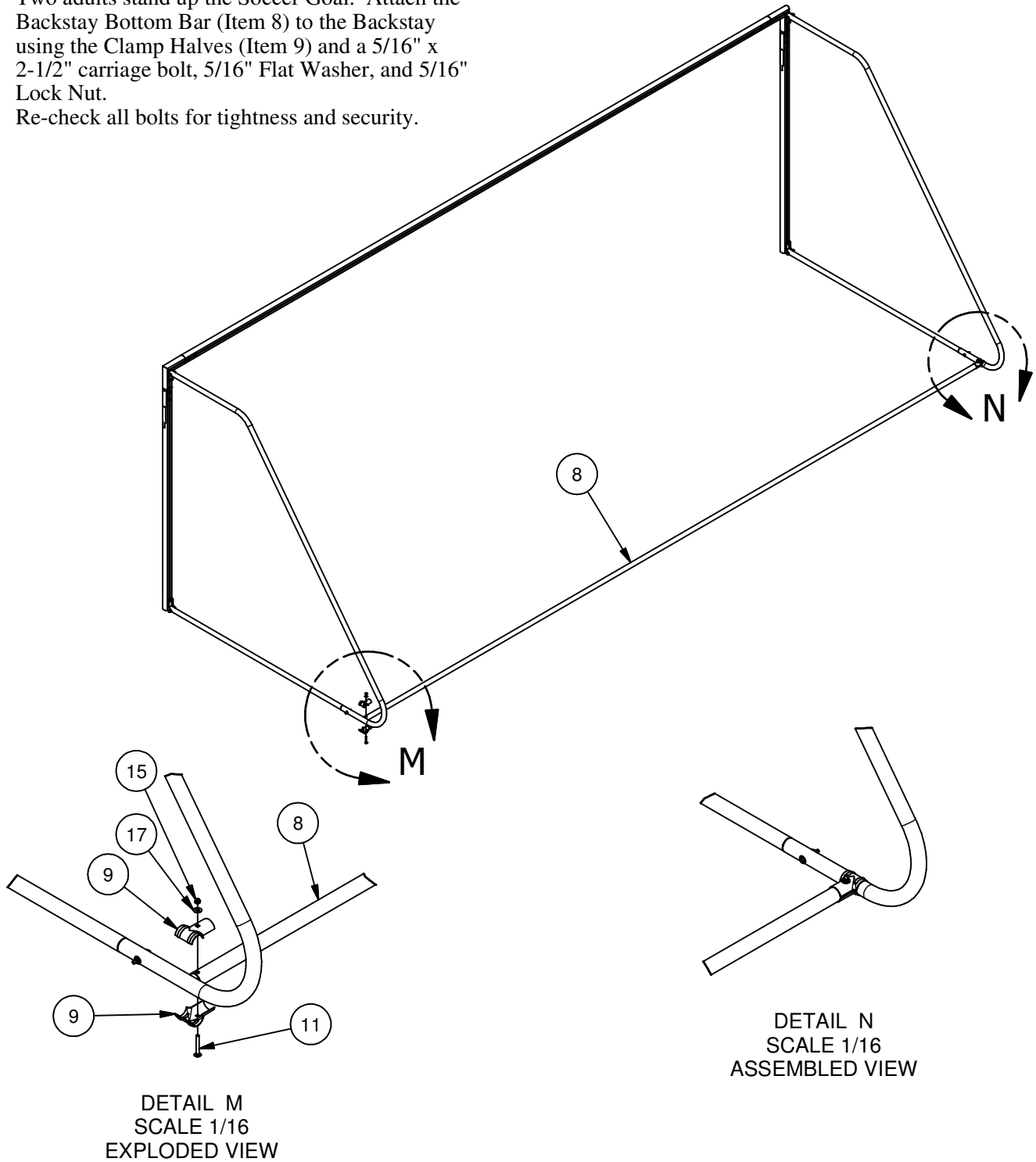
PART NO. SG3RD-INST

REV

BACKSTAY GROUND BAR ASSEMBLY

All Models except SG3RD406PT* and SG3RD459PT*

1. Two adults stand up the Soccer Goal. Attach the Backstay Bottom Bar (Item 8) to the Backstay using the Clamp Halves (Item 9) and a 5/16" x 2-1/2" carriage bolt, 5/16" Flat Washer, and 5/16" Lock Nut.
2. Re-check all bolts for tightness and security.



Installation and Assembly Instructions



Gared Holdings, LLC
9200 E. 146th St.
Noblesville, IN 46060

3" ROUND SOCCER GOAL ASSEMBLY INSTRUCTIONS

FILE LOC. Q:\Inventor Files\

DATE

8/16/2016

SHT. NO.

10 OF 12

PART NO.

SG3RD-INST

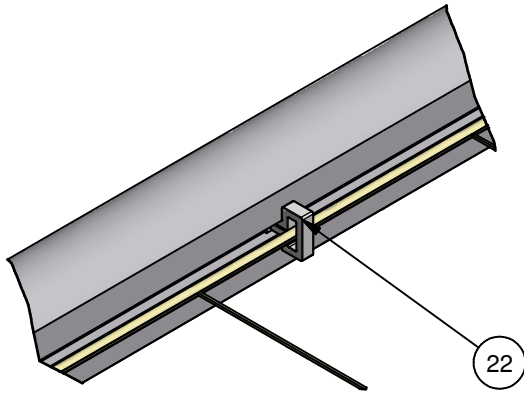
REV

NET ASSEMBLY

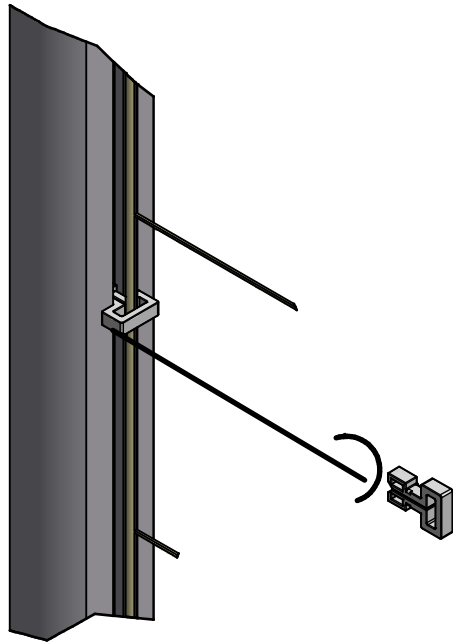
Attach the Net Sag Strap (included with the net) to the Backstays.

Evenly drape the net over the Backstays and attach to Goal using the Net Clips (Item 22) spaced approximately every 12" apart.

Use Velcro straps to secure the bottom of the net to the Backstays.

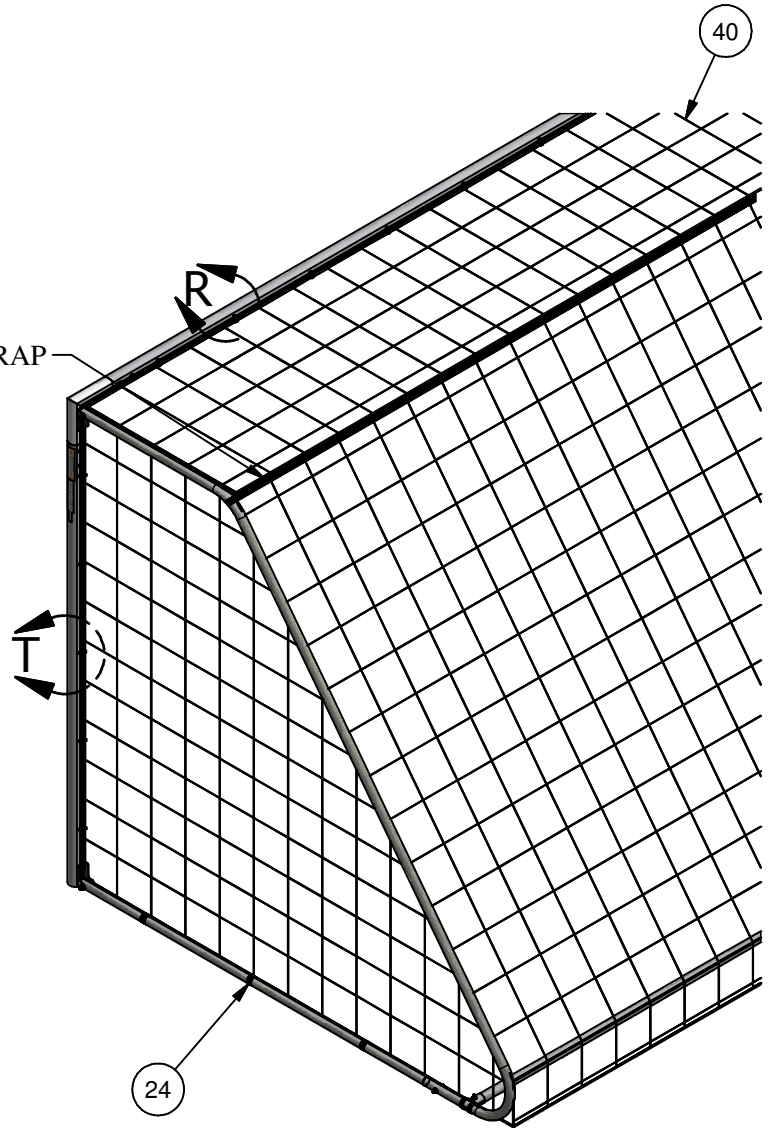


DETAIL R
SCALE 1/4



DETAIL T
SCALE 1/4

NET SAG STRAP



Installation and Assembly Instructions



Gared Holdings, LLC
9200 E. 146th St.
Noblesville, IN 46060

3" ROUND SOCCER GOAL ASSEMBLY INSTRUCTIONS

FILE LOC. Q:\Inventor Files\

DATE

8/16/2016

SHT. NO.

11 OF 12

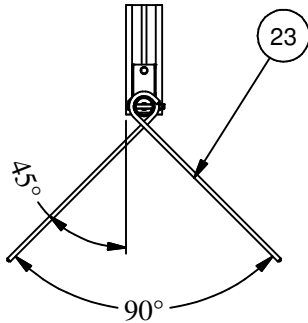
PART NO.

SG3RD-INST

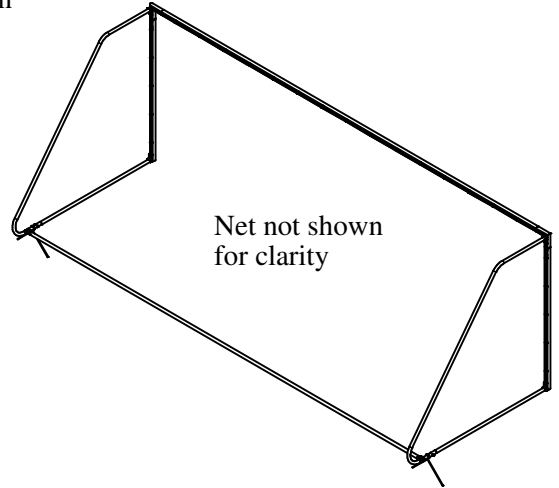
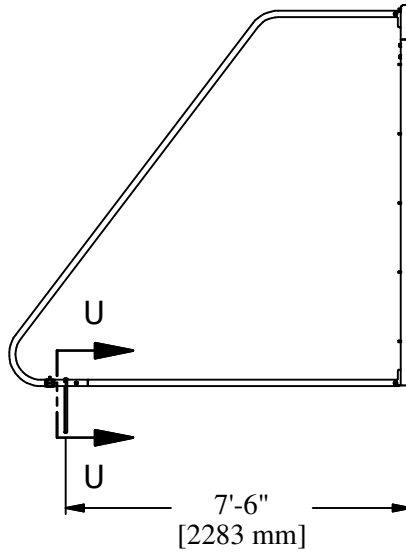
REV

ANCHORING THE GOALS

When goal is in position, stake both sides using (2) J-Stakes (Item 23) on each backstay tube as shown below.

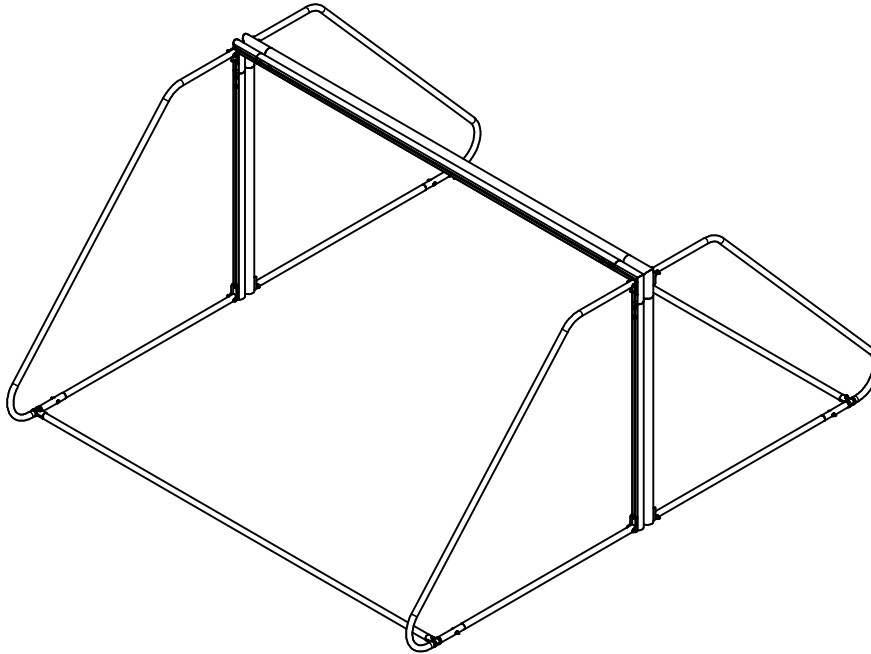


SECTION U-U
SCALE 1/16



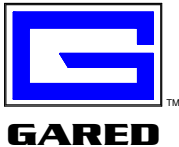
STORAGE GUIDELINES

Whenever possible, remove the nets and place two goals face to face as shown below. Join the goal faces and lock together using chain and lock.



When goals cannot be stored together as shown above, remove the nets and face the goal frame to a fence or sturdy structure and secure the goal to fence posts or sturdy structure using chain and lock. When this is not possible, store the goals in an area that is not available to children.

Installation and Assembly Instructions



Gared Holdings, LLC
9200 E. 146th St.
Noblesville, IN 46060

3" ROUND SOCCER GOAL ASSEMBLY INSTRUCTIONS

FILE LOC. Q:\Inventor Files\

DATE

8/16/2016

SHT. NO.

12 OF 12

PART NO.

SG3RD-INST

REV