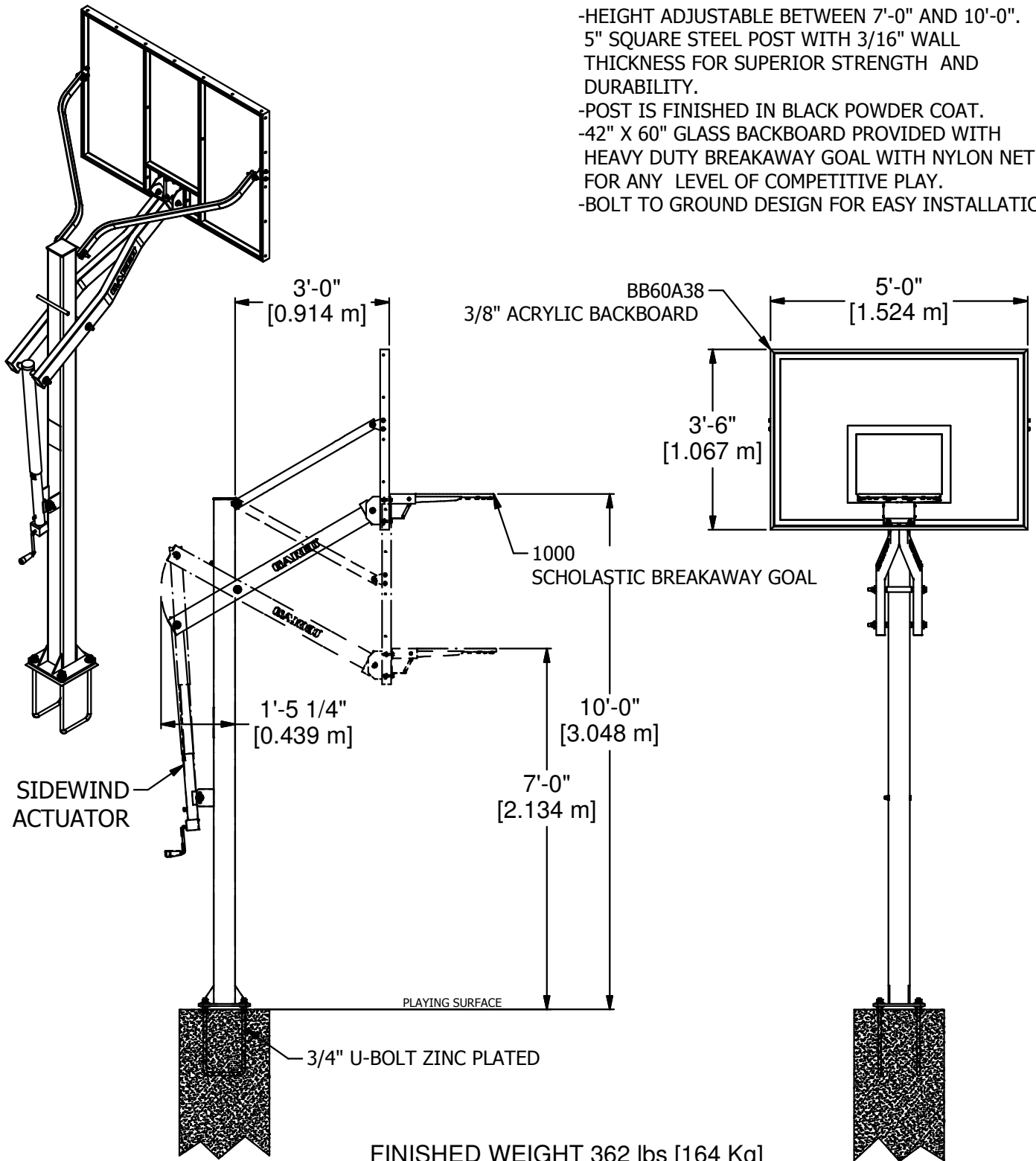


- HEIGHT ADJUSTABLE BETWEEN 7'-0" AND 10'-0".
- 5" SQUARE STEEL POST WITH 3/16" WALL THICKNESS FOR SUPERIOR STRENGTH AND DURABILITY.
- POST IS FINISHED IN BLACK POWDER COAT.
- 42" X 60" GLASS BACKBOARD PROVIDED WITH HEAVY DUTY BREAKAWAY GOAL WITH NYLON NET FOR ANY LEVEL OF COMPETITIVE PLAY.
- BOLT TO GROUND DESIGN FOR EASY INSTALLATION.



REV	BY	DATE




**Gared Holdings, LLC**  
9200 E. 146th St. Noblesville, IN 46060

THIS DOCUMENT CONTAINS TRADE SECRET AND OTHER MATERIALS WHICH ARE PROTECTED BY CONFIDENTIALITY NOTICE AND AGREEMENT AND BY COPYRIGHT. ANY USE OR COPYING OF THIS DOCUMENT EXCEPT AS AUTHORIZED BY GARED HOLDINGS, LLC IS STRICTLY PROHIBITED.

**COLLEGIATE JAM ADJ. BASKETBALL SYS.**

DRAWN	CROSBY	DATE	6/22/2012	DATE ISSUED	6/22/2012
APPROVED		DATE			

FILE LOC. Q:\Inventor Files\Specifications\06\_Outdoor Products\

SIZE	SCALE	SHT. NO.	PART NO.	REV
A	NONE	1 OF 2	GP8A60DM-002	



## MODEL GP8A60DM

### **COLLEGIATE JAM ADJUSTABLE BASKETBALL SYSTEM**

#### **RECOMMENDED APPLICATION**

Designed for applications requiring a durable adjustable basketball system to be used outside, such as a park, playground, or residential setting.

#### **SPECIFICATIONS**

##### **POST / EXTENSION ARMS**

The GP8A60 basketball system shall have a 5" square steel post with 3/16" wall thickness. The unit shall have two extension arms which connect to the post with a large diameter pivot bolt and connect to the vertical struts of the backboard. The extension arms shall be comprised of formed steel and shall provide a 3' distance from the backboard to the post at the 10' playing height. The extension arms shall contain a large actuator with removable handle to enable the backboard and goal to be raised and lowered effortlessly at any height between 7' and 10'. The post and extension arms shall be powder coated black to prevent rust. The post shall be surface-mounted with a bolt-to-ground design to allow for easier installation and system transportability.

##### **BACKBOARD**

The backboard shall be a Gared model BB60A38 Rectangular Acrylic Backboard. The backboard shall be comprised of 3/8" thick acrylic permanently attached to a steel tubular frame with aluminum extrusions. Overall dimension of the backboard shall be 42" in width and 60" in length. Backboard shall have 20" vertical centers for attaching board to upper extension arms and a direct goal attachment for the lower lift arm. Backboard shall also have 5" vertical and 5" horizontal mounting holes for attaching rim.

##### **RIM**

The rim shall be a Gared model 1000 Scholastic Breakaway Rim. Rim shall have an official size 18" rim of 5/8" diameter steel with a continuous no-tie net attachment and full wing brace design. The rim shall have 4-5" vertical and 5" horizontal mounting holes for attaching to most backboards. Rim shall have a durable orange powder coat finish and include a nylon net.

##### **ACCESSORIES**

LSCE60 – 60" Recreational Pro-Mold Backboard Padding  
PP6WR – Wrap-Around Pole Pad for 5"/6" Square Posts OR  
PP5SQF – Fitted Pole Pad for 5" Square Posts  
BP5SQ – Base Pole Pad for 5" Surface Mount Posts

Subject to design change and current manufacturing practices.  
Issued September 2012 © Gared Holdings LLC