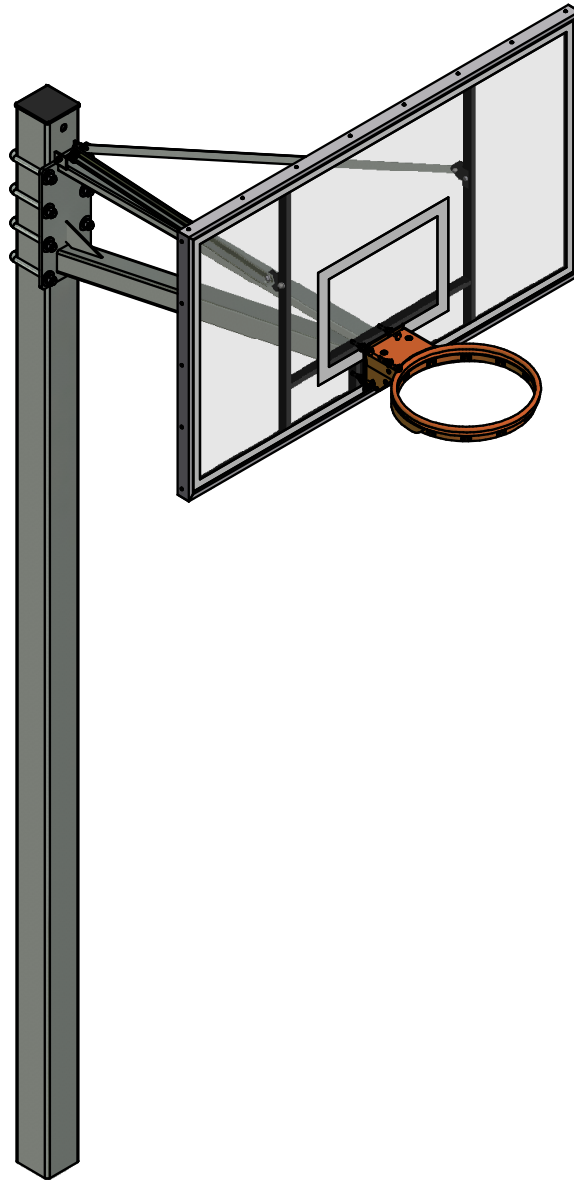


GP100 SERIES

ENDURANCE PLAYGROUND SYSTEMS



Installation and Assembly Instructions



Gared Holdings, LLC
9200 E. 146th St.
Noblesville, IN 46060

ENDURANCE PLAYGROUND SYSTEMS			
FILE LOC. Q:\Inventor Files\Installation Instructions			
DATE	SHT. NO.	PART NO.	REV
8/19/2015	1 OF 16	401754712	B

Table of Contents

<u>Section</u>	<u>Page No.</u>
Introduction	2
Cautions and Warnings	3
Parts Checklist	4
Post & Extension Arm Installation	7
Acrylic, Glass, and Perforated Steel Backboard Installation	11
Steel and AFRG backboard Installation	14

Introduction

Thank you for your purchase of a Gared Endurance Playground System. To ensure that our equipment will provide years of use to you, we are including this installation, and maintenance guide. This guide will provide information on the proper assembly and installation of your fixed playground basketball system.

Please note that a Bill of Materials is being included with this guide. Please check that all of the parts called out on the Bill of Materials are present prior to beginning assembly and setup. Please do not substitute for factory parts. Please contact the Gared Sports customer service department and allow them to determine if substitute parts are acceptable.

It is recommended that an individual who has been properly trained perform assembly and set up of the backstop. No one under the age of 18 should attempt assembly or set up of the unit, unless properly supervised.

To prevent normal wear and tear from shortening the life of the unit, preventative maintenance inspections and repairs should be performed at least once per year. If the units are subject to high or unusual usage, inspections should be scheduled to occur more frequently. If items are found to be nonconforming, replacements can be ordered from Gared Sports or one of our authorized dealers. When contacting Gared Sports, please have information regarding the dealer/installer who sold the unit, the name of the project, and any applicable warranty information.

Read and understand the following warnings to prevent possible personal injury and potential damage to the equipment during assembly, setup, and operation.

DANGER

DO NOT CLIMB ON GOAL,
BANKBOARD OR BACKSTOP.

THIS UNIT IS DESIGNED FOR A SPECIFIC
OPERATING WEIGHT AND THE ADDED
WEIGHT COULD CAUSE DAMAGE AND/OR
SERIOUS INJURY TO PERSONNEL.

2036-31-00

Before proceeding with assembly, read all instructions and assembly procedures. Make sure all parts have been received and are not damaged.

Installation and Assembly Instructions



Gared Holdings, LLC
9200 E. 146th St.
Noblesville, IN 46060

ENDURANCE PLAYGROUND SYSTEMS			
FILE LOC. Q:\Inventor Files\Installation Instructions			
DATE	SHT. NO.	PART NO.	REV
8/19/2015	2 OF 16	401754712	B

Package Component List

	Package	Post	Extension Arm	Board	Goal	Brace	Brace Kit
4' ext	GP104A60	9-72-0001	502001	BB60A38	8800	401653703	153453940
	GP104A72	9-72-0001	502001	BB72A38	8800	401653702	153453940
	GP104G60	9-72-0001	502001	BB60G38	8800	401653703	153453940
	GP104G72	9-72-0001	502001	BB72G50	8800	401653702	153453940
	GP104P60	9-72-0001	502001	1260PS	8550	401653703	153453940
	GP104P72	9-72-0001	502001	1272PS	8550	401653702	153453940
	GP104PC72	9-72-0001	502001	BB72P50	8800	401653702	153453940
	GP104S60	9-72-0001	502001	1260B	8550	9-72-4STB	153453939
	GP104S72	9-72-0001	502001	1272B	8550	9-72-4STB	153453939
	GP104AF20	9-72-0001	502001	AFRG42	2000+	9-72-45GS	153453939
	GP104P72	9-72-0001	502001	1272PS	8550	401653700	153453940
	GP104PC72	9-72-0001	502001	BB72P50	8800	401653700	153453940
5' ext	GP105A60	9-72-0001	502002	BB60A38	8800	401653701	153453940
	GP105A72	9-72-0001	502002	BB72A38	8800	401653700	153453940
	GP105G60	9-72-0001	502002	BB60G38	8800	401653701	153453940
	GP105G72	9-72-0001	502002	BB72G50	8800	401653700	153453940
	GP105P60	9-72-0001	502002	1260PS	8550	401653701	153453940
	GP105S60	9-72-0001	502002	1260B	8550	9-72-45GS	153453939
	GP105S72	9-72-0001	502002	1272B	8550	9-72-45GS	153453939
	GP105AF20	9-72-0001	502002	AFRG42	2000+	401653698	153453939
6' ext	GP106A60	9-72-0001	502003	BB60A38	8800	401653699	153453940
	GP106A72	9-72-0001	502003	BB72A38	8800	401653698	153453940
	GP106G60	9-72-0001	502003	BB60G38	8800	401653699	153453940
	GP106G72	9-72-0001	502003	BB72G50	8800	401653698	153453940
	GP106P60	9-72-0001	502003	1260PS	8550	401653699	153453940
	GP106P72	9-72-0001	502003	1272PS	8550	401653698	153453940
	GP106PC72	9-72-0001	502003	BB72P50	8800	401653698	153453940
	GP106S60	9-72-0001	502003	1260B	8550	9-72-6STB	153453939
	GP106S72	9-72-0001	502003	1272B	8550	9-72-6STB	153453939
	GP106AF20	9-72-0001	502003	AFRG42	2000+	9-72-6GLF	153453939

Installation and Assembly Instructions



Gared Holdings, LLC
9200 E. 146th St.
Noblesville, IN 46060

ENDURANCE PLAYGROUND SYSTEMS			
FILE LOC. Q:\Inventor Files\Installation Instructions			
DATE	SHT. NO.	PART NO.	REV
8/19/2015	3 OF 16	401754712	B

Parts Checklist

Verify all parts listed on packing list are present prior to installation.

BASIC SETS INCLUDE

6" x 6" Square Steel Post: Galvanized or Black powder coat finish.

Extension Arms: 3-lengths available.

2-Braces: See Backboard and Brace Chart on page 5

Backboards: 8-backboard choices available.

Goal with net and mounting hardware.

Hardware Kit (See Chart Below)

Item	Part Number	Description	Hardware Kit P/N		
			151653939	151653940	151653941
			Qty	Qty	Qty
1	9-72-0005	HINGE PLATE WELDMENT	1	1	1
2	9-72-0009	CORNER BRKT	2		
	401651354	BRACKET, BOARD BRACE MTG GP100		2	
	401653697	BRACKET, BRACE MOUNTING			2
3	9-72-5555	CAP, END 6" SQUARE POSTS	1	1	1
4	9-72-6UBT	U-BOLT, 3/4-10 X 6.0 ZINC	4	4	4
5	501-6-16-16	BOLT, CARRIAGE 3/8-16 UNC X 1	2		
	502-6-16-24	HEX BOLT, 3/8-16 UNC X 1.5		2	
	502-5-18-28	HEX BOLT, 5/16-18 UNC X 1.75			4
6	502-6-16-20	HEX BOLT, 3/8-16 UNC X 1.25	4	4	4
7	502-6-16-72	HEX BOLT, 3/8-16 UNC X 4.5	1	1	1
8	541-12-10	HEX NUT 3/4-10	8	8	8
9	541-6-16	HEX NUT 3/8-16	6	6	4
10	545-6-16Z	HEX NUT, NYLON LOCK 3/8-16	1	1	1
11	561-12	FLAT WASHER 3/4	8	8	8
12	561-6	FLAT WASHER 3/8	6	8	6
13	562-12Z	SPLIT LOCK WASHER 3/4	8	8	8
14	562-6	SPLIT LOCK WASHER 3/8	6	6	4
15	541-5-18	HEX NUT 5/16-18			4
16	561-5	FLAT WASHER 5/16			4
17	562-5	SPLIT LOCK WASHER 5/16			4

Contact Customer Service for assistance with replacement of any parts missing or damaged.

Performance Sports Systems
800-848-8034
www.perfsports.com

Gared Sports
800-325-2682
www.garedsports.com
CustomerService@garedsports.com

Installation and Assembly Instructions



Gared Holdings, LLC
 9200 E. 146th St.
 Noblesville, IN 46060

ENDURANCE PLAYGROUND SYSTEMS			
FILE LOC. Q:\Inventor Files\Installation Instructions			
DATE	SHT. NO.	PART NO.	REV
8/19/2015	4 OF 16	401754712	B

ACRYLIC AND GLASS BACKBOARDS WITH TARGET					
Item	Part Number	Description	4' Ext.	5' Ext.	6' Ext.
			Qty	Qty	Qty
1	9-72-0001	TUBE, 6" SQ. X .250 WALL	1		
2	502001	WELDMENT, 4' EXTENSION	1		
	502002	WELDMENT, 5' EXTENSION		1	
	502003	WELDMENT, 6' EXTENSION			1
3	SEE BRACE CHART	BACKBOARD BRACE ANGLE	2	2	2
4	153453940	GP100 HARDWARE KIT BB, ACR, PS BRDS	1	1	1
5	8800	ENDURANCE COMPETITION BREAKAWAY GOAL	1	1	1
6	SEE BRACE CHART	BACKBOARD	1	1	1

PERFORATED STEEL BACKBOARDS WITH TARGET					
Item	Part Number	Description	4' Ext.	5' Ext.	6' Ext.
			Qty	Qty	Qty
1	9-72-0001	TUBE, 6" SQ. X .250 WALL	1		
2	502001	WELDMENT, 4' EXTENSION	1		
	502002	WELDMENT, 5' EXTENSION		1	
	502003	WELDMENT, 6' EXTENSION			1
3	SEE BRACE CHART	BACKBOARD BRACE ANGLE	2	2	2
4	153453940	GP100 HARDWARE KIT BB, ACR, PS BRDS	1	1	1
5	8550	ENDURANCE COMPETITION BREAKAWAY GOAL	1	1	1
6	SEE BRACE CHART	BACKBOARD	1	1	1

STEEL BACKBOARDS WITH TARGET					
Item	Part Number	Description	4' Ext.	5' Ext.	6' Ext.
			Qty	Qty	Qty
1	9-72-0001	TUBE, 6" SQ. X .250 WALL	1		
2	502001	WELDMENT, 4' EXTENSION	1		
	502002	WELDMENT, 5' EXTENSION		1	
	502003	WELDMENT, 6' EXTENSION			1
3	SEE BRACE CHART	BACKBOARD BRACE ANGLE	2	2	2
4	153453939	GP100 HARDWARE KIT STEEL BOARDS	1	1	1
5	8550	ENDURANCE COMPETITION BREAKAWAY GOAL	1	1	1
6	SEE BRACE CHART	BACKBOARD	1	1	1

Installation and Assembly Instructions



Gared Holdings, LLC
9200 E. 146th St.
Noblesville, IN 46060

ENDURANCE PLAYGROUND SYSTEMS			
FILE LOC. Q:\Inventor Files\Installation Instructions			
DATE	SHT. NO.	PART NO.	REV
8/19/2015	5 OF 16	401754712	B

AFRG42 ALUMINUM FRAME GLASS BACKBOARD

Item	Part Number	Description	4' Ext.	5' Ext.	6' Ext.
			Qty	Qty	Qty
1	9-72-0001	TUBE, 6" SQ. X .250 WALL	1		
2	502001	WELDMENT, 4' EXTENSION	1		
	502002	WELDMENT, 5' EXTENSION		1	
	502003	WELDMENT, 6' EXTENSION			1
3	SEE BRACE CHART	BACKBOARD BRACE ANGLE	2	2	2
4	153453939	GP100 HARDWARE KIT STEEL BOARDS	1	1	1
5	2000+	2000+ COLLEGIATE BREAKAWAY	1	1	1
6	AFRG42	42 X 72 RECT. ALUMINUM FRAMED GL. B/B	1	1	1

BACKBOARD AND BRACE CHART

Backboard Part Number	Description	4' Ext.	5' Ext.	6' Ext.
		Brace P/N	Brace P/N	Brace P/N
1260B	42X60 RECT STEEL BB BORDER & TARGET	9-72-4STB 50.75" LONG	9-72-45GS 61.25" LONG	9-72-6STB 74.25" LONG
1272B	42X72 RECT STEEL BB BORDER & TARGET	9-72-4STB 50.75" LONG	9-72-45GS 61.25" LONG	9-72-6STB 74.25" LONG
1260PS	PERFORATED STEEL BOARD 42" X 60"	401653703 46.00" LONG	401653701 56.75" LONG	401653699 68.75" LONG
1272PS	PERFORATED STEEL BOARD 42" X 72"	401653702 48.25" LONG	401653700 58.50" LONG	401653698 70.00" LONG
BB60A38	42 X 60 X 3/8 ACRYLIC RECT BACKBOARD	401653703 46.00" LONG	401653701 56.75" LONG	401653699 68.75" LONG
BB60G38	42 X 60 X 3/8 GLASS RECT BACKBOARD	401653703 46.00" LONG	401653701 56.75" LONG	401653699 68.75" LONG
BB72A38	42 X 72 X 3/8 ACRYLIC RECT BACKBOARD	401653702 48.25" LONG	401653700 58.50" LONG	401653698 70.00" LONG
BB72G50	42 X 72 X 1/2 GLASS RECT BACKBOARD	401653702 48.25" LONG	401653700 58.50" LONG	401653698 70.00" LONG
BB72P50	42 X 72 X 1/2 POLYCARB RECT BACKBOARD	401653702 48.25" LONG	401653700 58.50" LONG	401653698 70.00" LONG
AFRG42	42 X 72 RECT. ALUMINUM FRAMED GL. B/B	9-72-45GS 61.25" LONG	401653698 70.00" LONG	9-72-6GLF 80.75" LONG

Installation and Assembly Instructions



Gared Holdings, LLC
9200 E. 146th St.
Noblesville, IN 46060

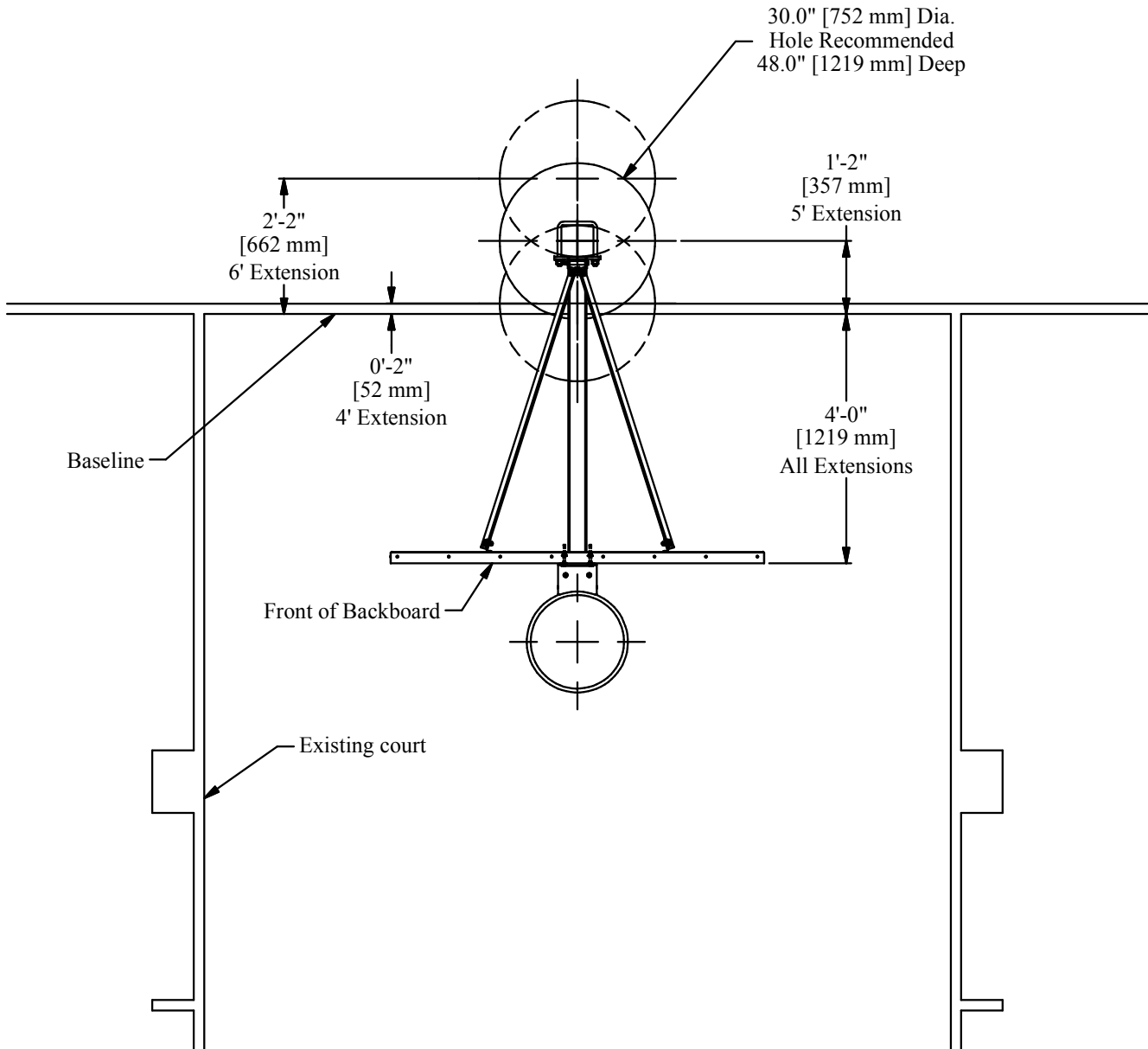
ENDURANCE PLAYGROUND SYSTEMS			
FILE LOC. Q:\Inventor Files\Installation Instructions			
DATE	SHT. NO.	PART NO.	REV
8/19/2015	6 OF 16	401754712	B

INSTALLATION INSTRUCTIONS

Use the step by step instructions on the following pages for successful and safe installation.

STEP 1: Post hole location.

Begin the installation process by locating the hole for the vertical post in relation to the existing court (if there is one). Use the following illustration as a guide to locate the post hole for the extension length you will be using. This distance will be different for each of the three goal extension arms.



Installation and Assembly Instructions



Gared Holdings, LLC
9200 E. 146th St.
Noblesville, IN 46060

ENDURANCE PLAYGROUND SYSTEMS

FILE LOC. Q:\Inventor Files\Installation Instructions

DATE

8/19/2015

SHT. NO.

7 OF 16

PART NO.

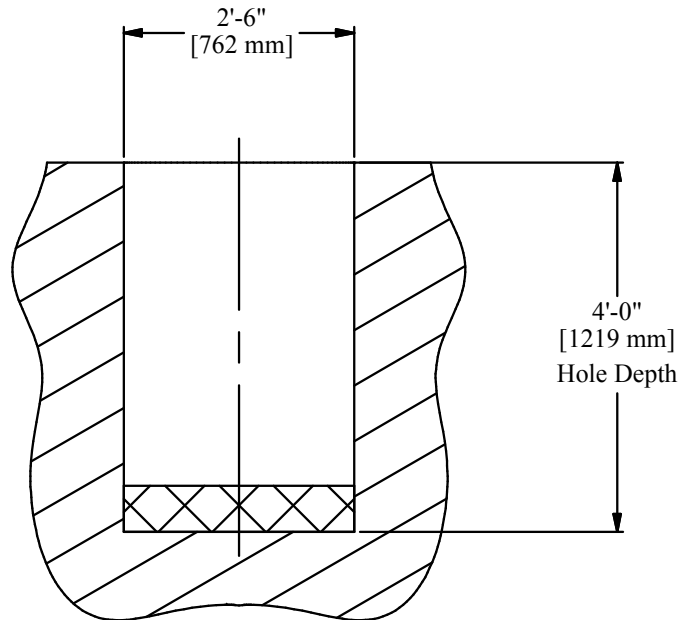
401754712

REV

B

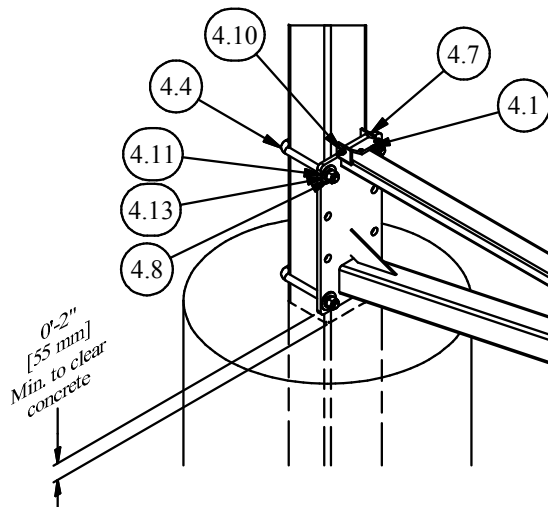
STEP 2: Dig and prepare hole for main post.

Use the following illustration to dig the hole for the main post. Place 6" of #57 crushed stone (lightly compacted) in the bottom of the hole as preliminary bottom foundation on which to set and stabilize the post in preparation for adding the final concrete. The crushed stone will also provide drainage for the post.



STEP 3: Position the main post.

Carefully lower the main post into the hole. Center it within the hole. Snugly attach the extension arm with two U-bolts. This will help with the alignment of the whole unit. See next page for more details on stabilizing and positioning the post. Hinge plate can also be added at this time.



Installation and Assembly Instructions



Gared Holdings, LLC
9200 E. 146th St.
Noblesville, IN 46060

ENDURANCE PLAYGROUND SYSTEMS

FILE LOC. Q:\Inventor Files\Installation Instructions

DATE

8/19/2015

SHT. NO.

8 OF 16

PART NO.

401754712

REV

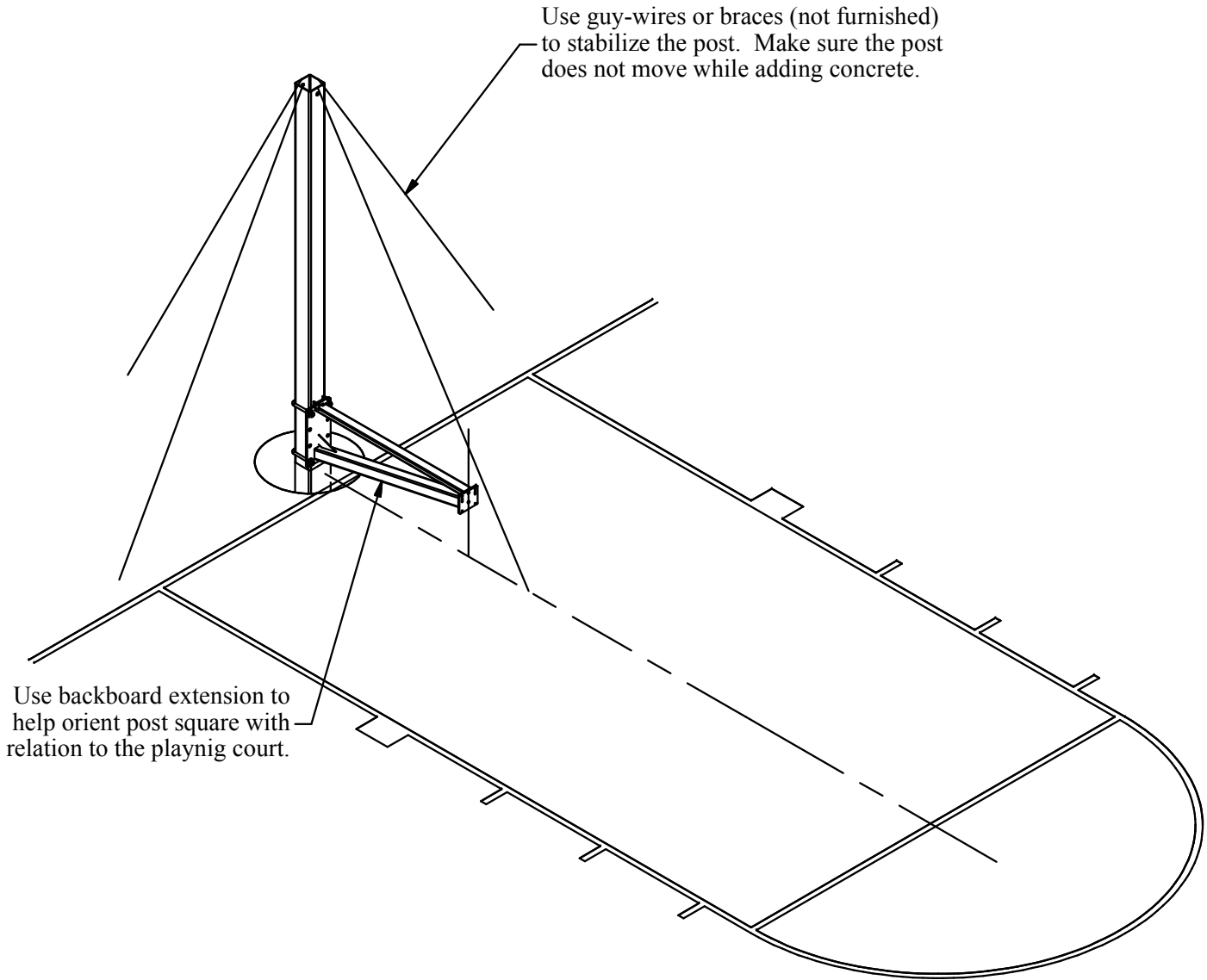
B

STEP 4: Stabilize the main post.

Stabilize the post as shown in the illustration below.

STEP 5: Cast the concrete.

Cast the rest of the concrete making sure not to move the post. Let the concrete cure for 72 hours before completing the rest of the installation.



Installation and Assembly Instructions



Gared Holdings, LLC
9200 E. 146th St.
Noblesville, IN 46060

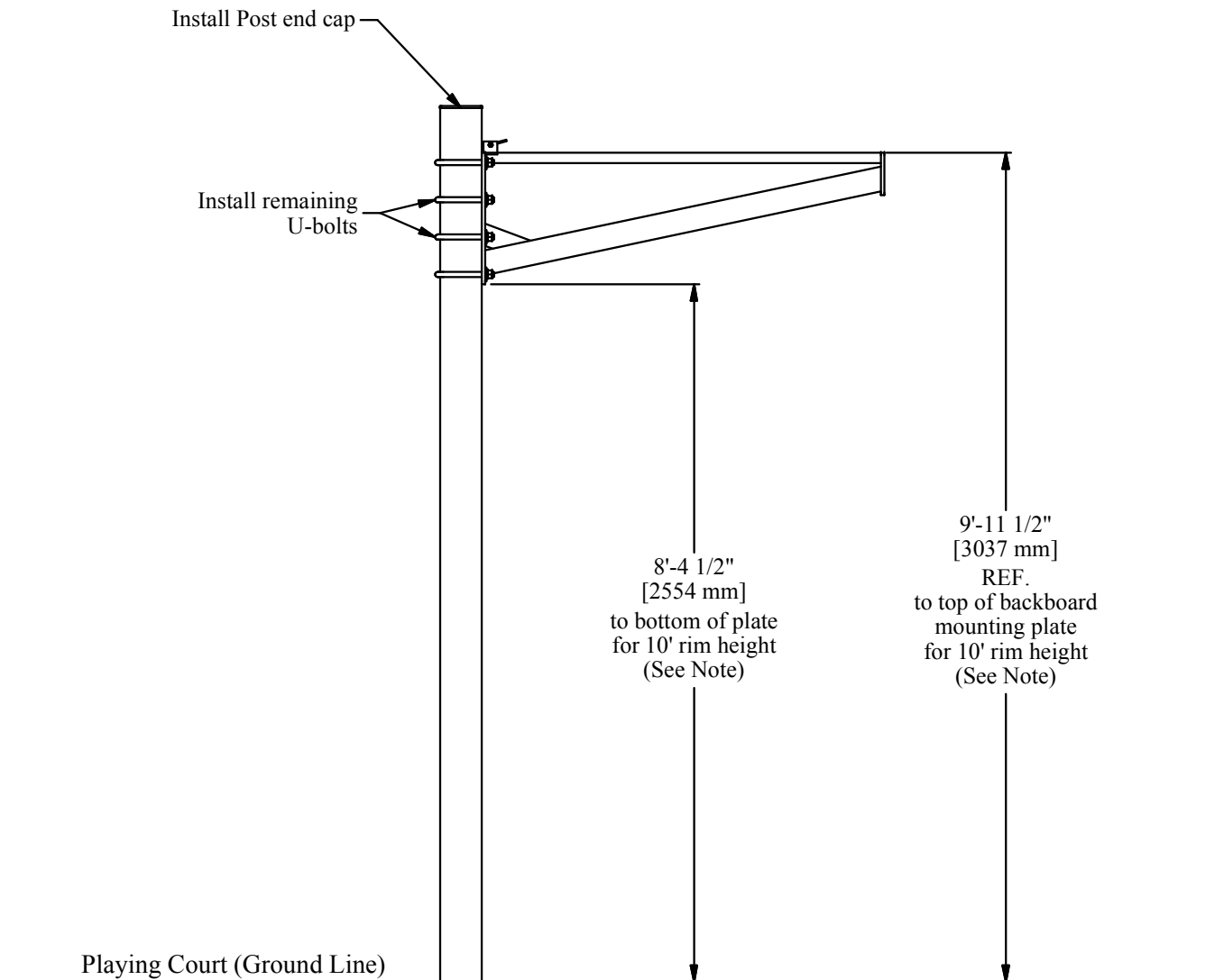
ENDURANCE PLAYGROUND SYSTEMS

FILE LOC. Q:\Inventor Files\Installation Instructions

DATE	8/19/2015	SHT. NO.	9 OF 16	PART NO.	401754712	REV	B
------	-----------	----------	---------	----------	-----------	-----	---

STEP 6: Raise the extension arm.

After the concrete has fully cured, loosen the two U-bolts and carefully slide the extension arm up the post to the desired height. Note, the height shown in the illustration will result in a standard 10 foot rim height. Add the remaining two U-bolts and tighten all securely. Add end cap at this time.



Note:

Dimension shown may require some minor adjustment after backboard and goal are installed for exact 10' goal height.

Installation and Assembly Instructions



Gared Holdings, LLC
9200 E. 146th St.
Noblesville, IN 46060

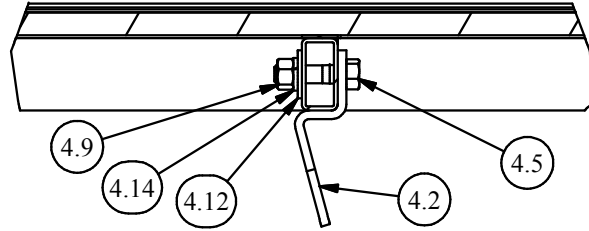
ENDURANCE PLAYGROUND SYSTEMS			
FILE LOC. Q:\Inventor Files\Installation Instructions			
DATE	SHT. NO.	PART NO.	REV
8/19/2015	10 OF 16	401754712	B

STEP 7: Prepare backboards for mounting.

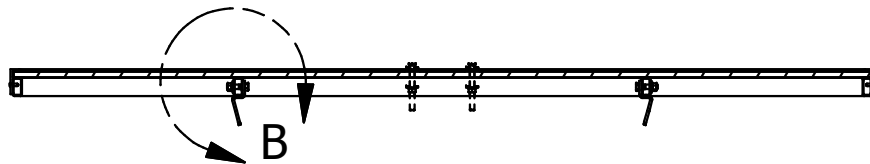
Follow the illustration to attach two brackets to any of these backboards.

1260PS: 1272PS: BB60G38: BB72G50: BB60A38: BB72A38: BB72P50

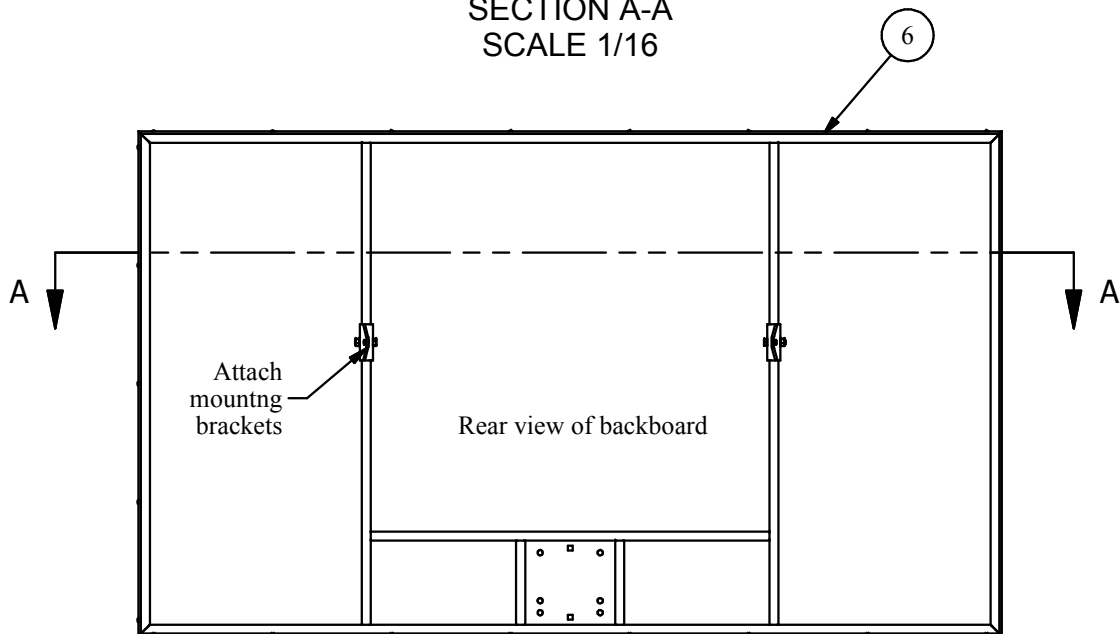
Hardware Kit P/N 153453940 is used for these backboards.



DETAIL B
SCALE 1 / 4



SECTION A-A
SCALE 1/16



Installation and Assembly Instructions



Gared Holdings, LLC
9200 E. 146th St.
Noblesville, IN 46060

ENDURANCE PLAYGROUND SYSTEMS

FILE LOC. Q:\Inventor Files\Installation Instructions

DATE 8/19/2015

SHT. NO. 11 OF 16

PART NO. 401754712

REV B

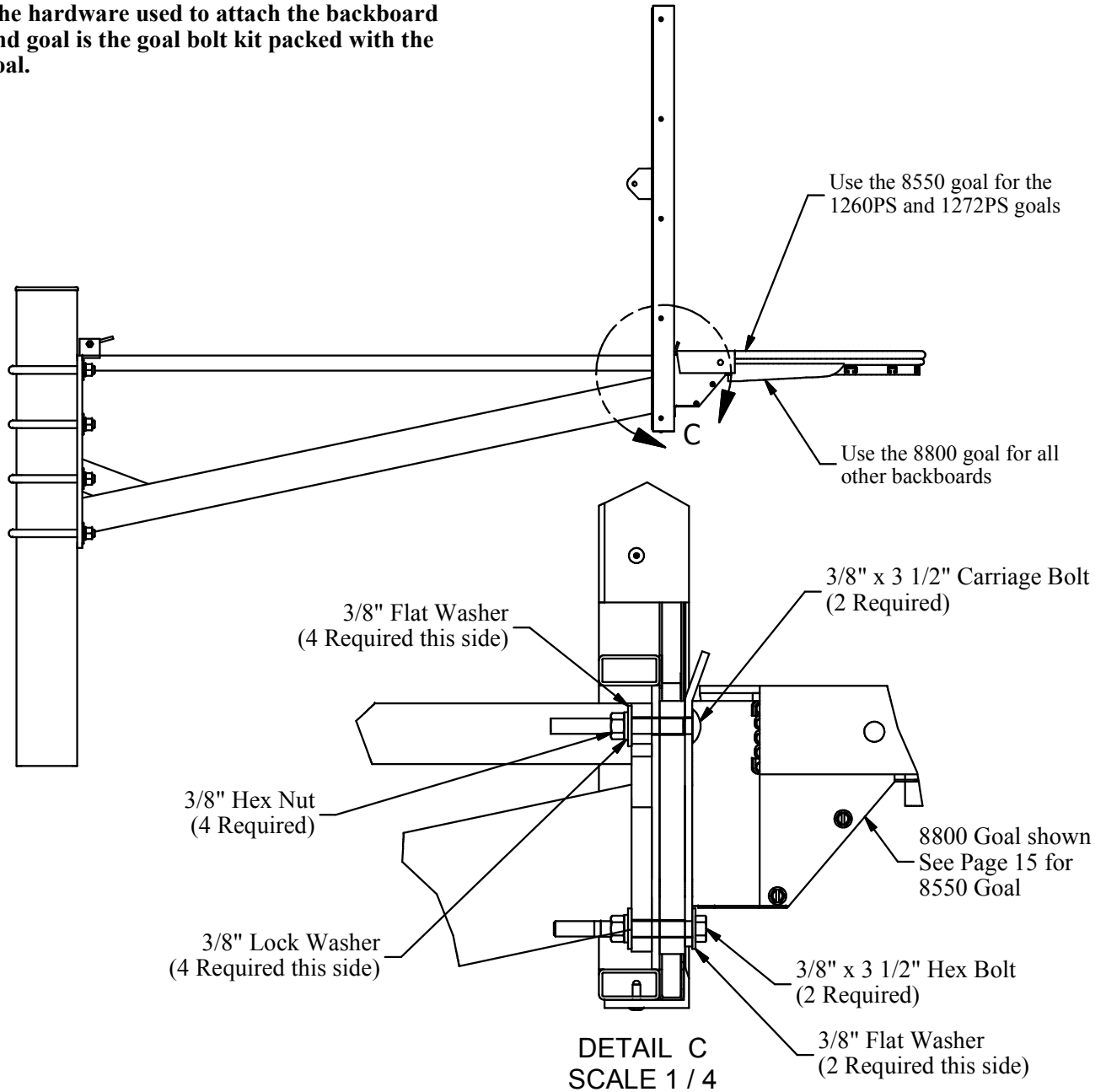
STEP 8: Attach perforated steel, glass, or acrylic backboards & goal.

Use the illustration as a guide to mount any of the following backboards;

1260PS: 1272PS: BB60G38: BB72G50: BB60A38: BB72A38: BB72P50

Note: The 1260PS and 1272PS boards use the 8550 goal. All others use the 8800 goal

The hardware used to attach the backboard and goal is the goal bolt kit packed with the goal.



Installation and Assembly Instructions

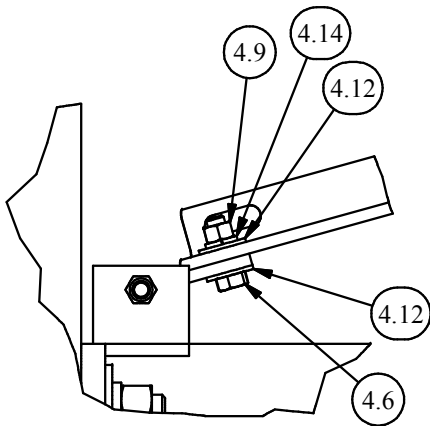


Gared Holdings, LLC
9200 E. 146th St.
Noblesville, IN 46060

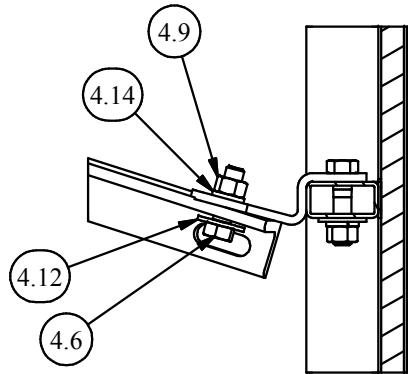
ENDURANCE PLAYGROUND SYSTEMS			
FILE LOC. Q:\Inventor Files\Installation Instructions			
DATE	SHT. NO.	PART NO.	REV
8/19/2015	12 OF 16	401754712	B

STEP 9: Attach the two braces to the backboard.

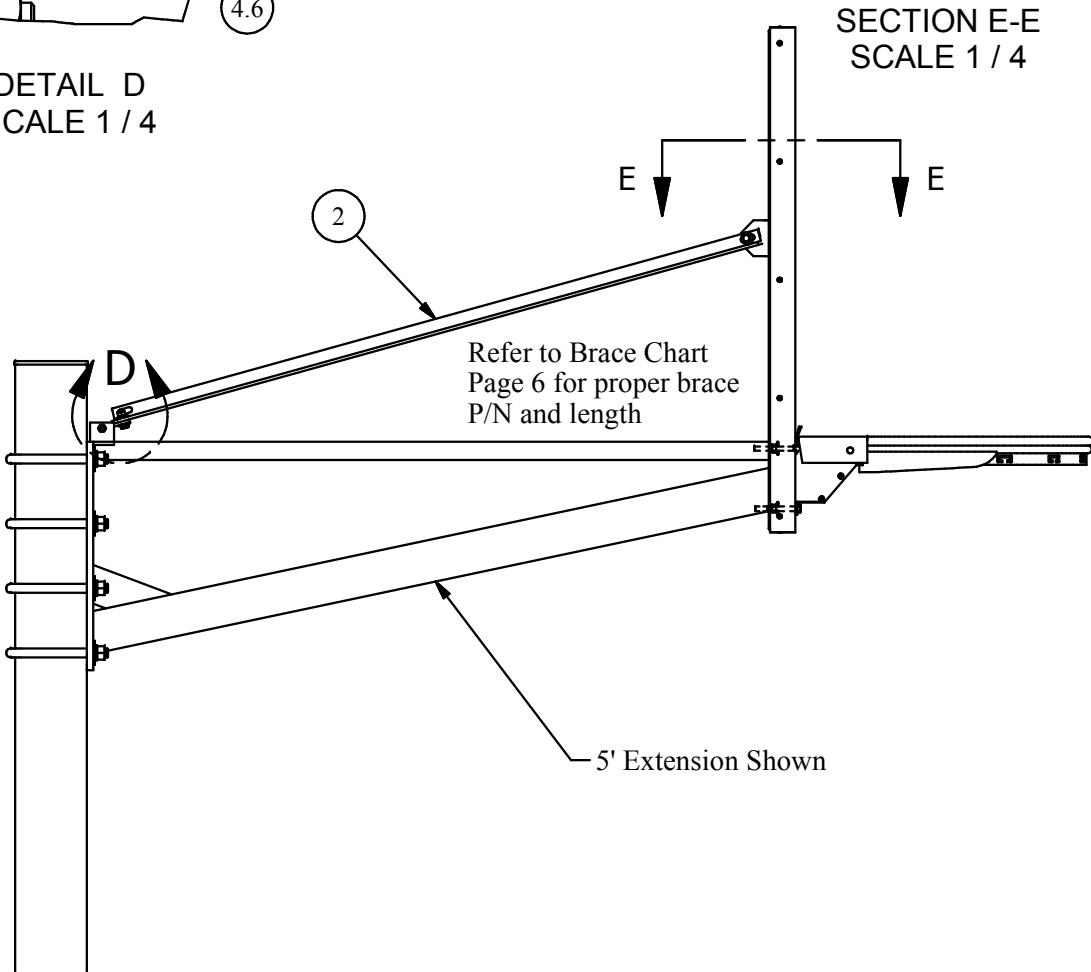
The following illustration is for perforated steel, glass, and acrylic backboards. Use the backboard and brace chart on page 6 to select the proper brace for the System Model that you are assembling.



DETAIL D
SCALE 1 / 4



SECTION E-E
SCALE 1 / 4



Installation and Assembly Instructions



Gared Holdings, LLC
9200 E. 146th St.
Noblesville, IN 46060

ENDURANCE PLAYGROUND SYSTEMS

FILE LOC. Q:\Inventor Files\Installation Instructions

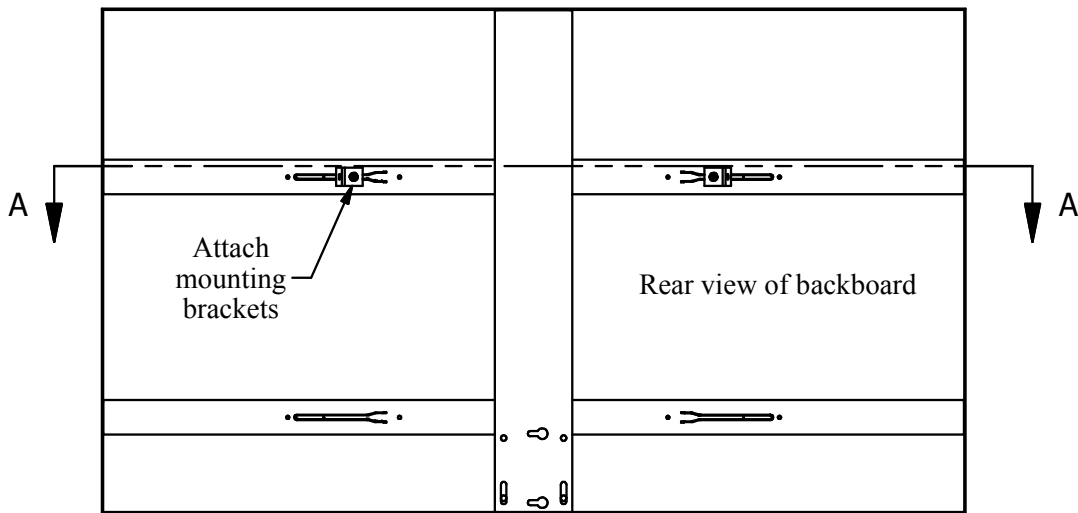
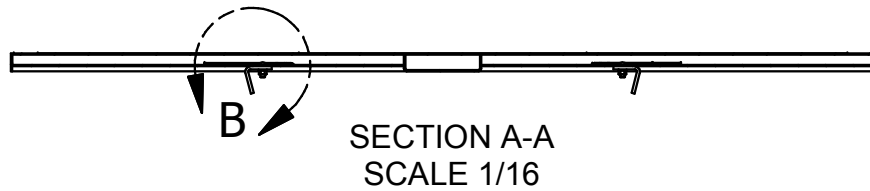
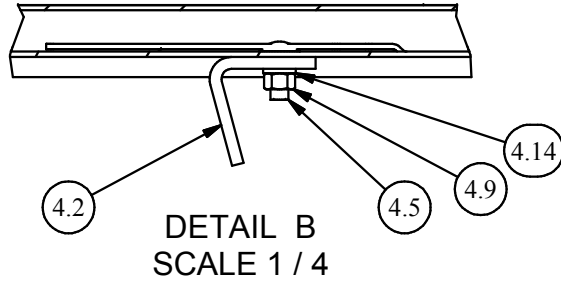
DATE	SHT. NO.	PART NO.	REV
8/19/2015	13 OF 16	401754712	B

STEP 7: Prepare backboards for mounting.

Mount the V-brackets to steel backboards 1260, 1260B, 1272, & 1272B.

Mount the V-brackets on the upper corner brackets of the AFRG42 backboard.

Hardware Kit P/N 153453939 is used for these backboards.



Installation and Assembly Instructions



Gared Holdings, LLC
9200 E. 146th St.
Noblesville, IN 46060

ENDURANCE PLAYGROUND SYSTEMS

FILE LOC. Q:\Inventor Files\Installation Instructions

DATE 8/19/2015

SHT. NO. 14 OF 16

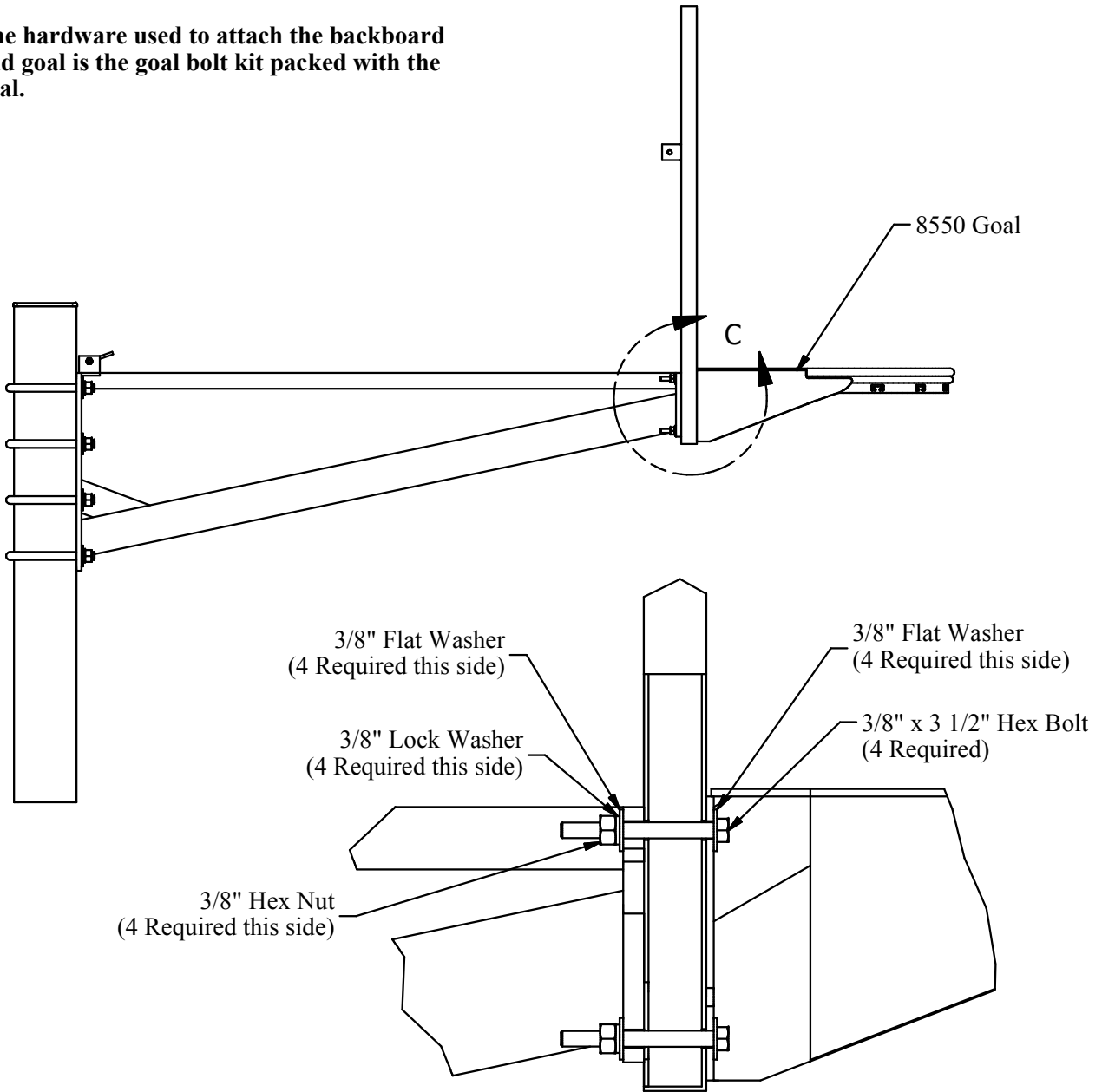
PART NO. 401754712

REV B

STEP 8: Attach steel backboards and goal.

The following illustration shows how to mount the 1260, 1260B, 1272, & 1272B steel backboards. These boards will use the 8550 goal.

The hardware used to attach the backboard and goal is the goal bolt kit packed with the goal.



DETAIL C
SCALE 1 / 4

Installation and Assembly Instructions



Gared Holdings, LLC
9200 E. 146th St.
Noblesville, IN 46060

ENDURANCE PLAYGROUND SYSTEMS

FILE LOC. Q:\Inventor Files\Installation Instructions

DATE

8/19/2015

SHT. NO.

15 OF 16

PART NO.

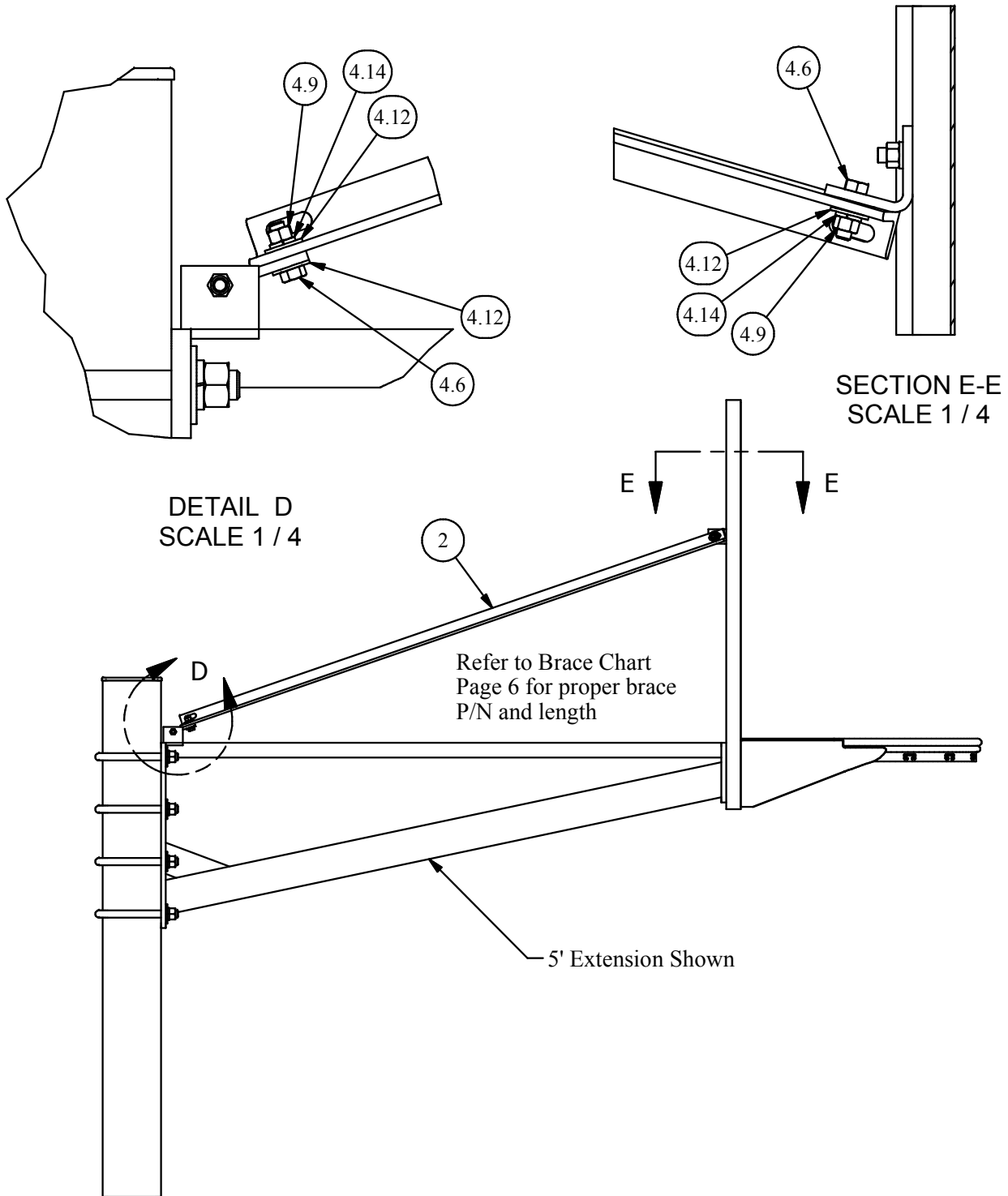
401754712

REV

B

STEP 9: Attach the two braces to the backboard.

The following illustration is for the steel backboards, 1260B & 1272B. Use the backboard and brace chart on page 6 to select the correct brace for the System Model that you are assembling.



Installation and Assembly Instructions



Gared Holdings, LLC
9200 E. 146th St.
Noblesville, IN 46060

ENDURANCE PLAYGROUND SYSTEMS

FILE LOC. Q:\Inventor Files\Installation Instructions

DATE	SHT. NO.	PART NO.	REV
8/19/2015	16 OF 16	401754712	B