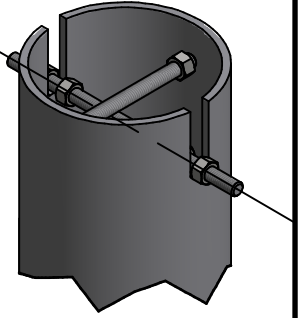


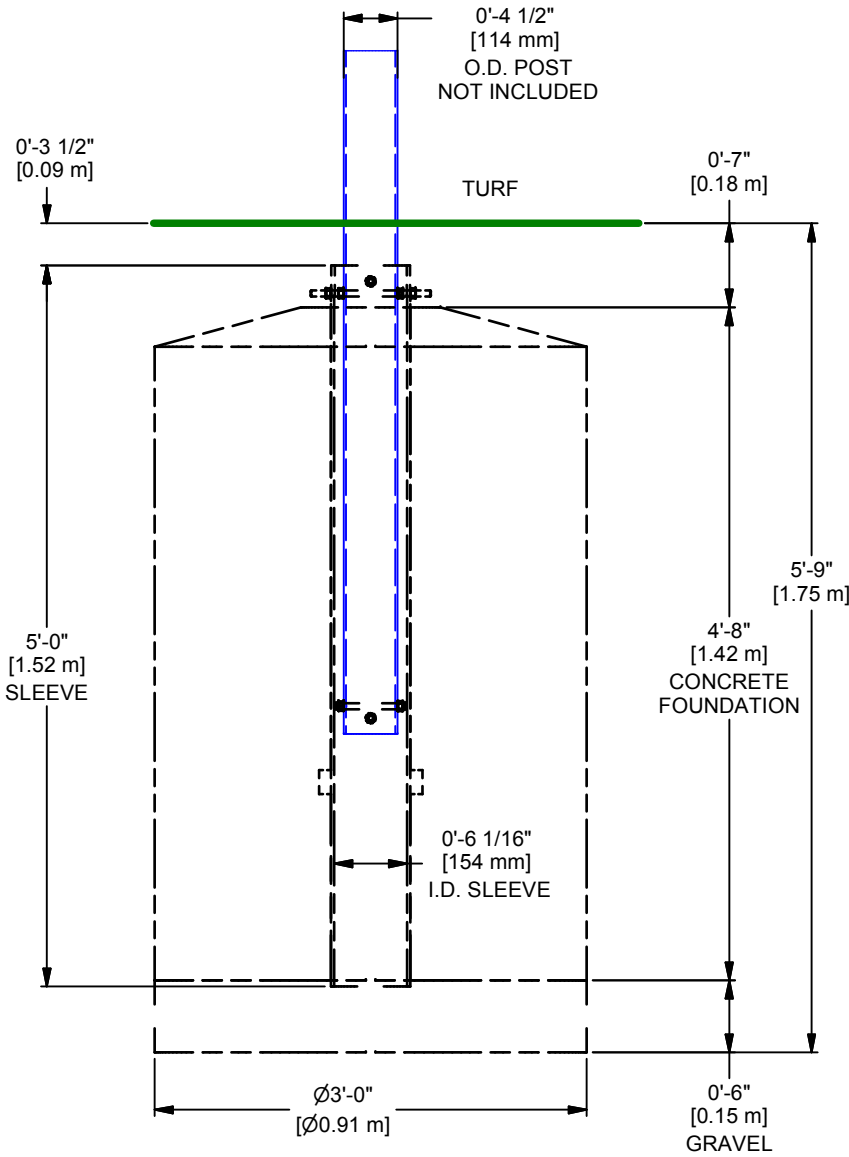
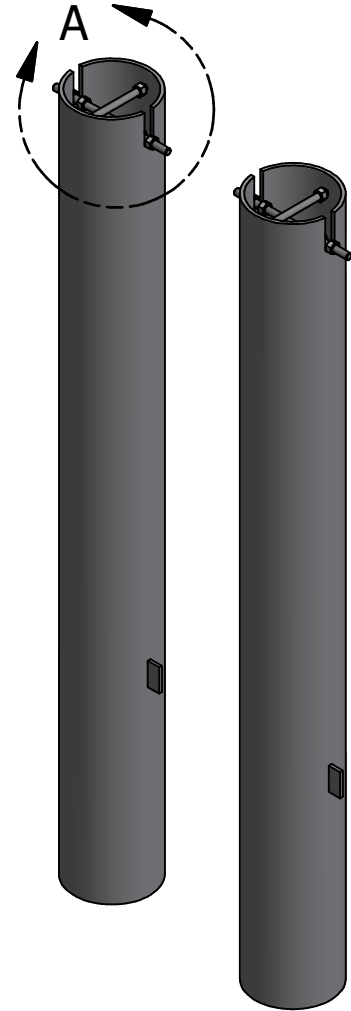
NOTES:

1. CENTER OF HOLE TO BE 5'-21/4" FROM END LINE OF FIELD.
2. ADD 6" GRAVEL LAYER AND POUR FOOTING WITH SLEEVE DRAINING INTO GRAVEL.
3. SLOT IN TOP OF SLEEVE MUST BE IN LINE WITH CENTERLINE OF PLAYING FIELD.
4. SLEEVE KIT INCLUDES THREADED ROD AND NUTS FOR POST ADJUSTMENT.
5. SLEEVE MATERIAL IS 6 5/8" O.D. HEAVY WALL GALVANIZED TUBING.
6. FGP400GS IS ONE PAIR OF SLEEVES.

SLOT IN SLEEVE
ALIGNED WITH
CENTERLINE OF
PLAYING FIELD.



DETAIL A



C	WDC	03-04-16
REV	BY	DATE



Gared Holdings, LLC
9200 E. 146th St. Noblesville, IN 46060

THIS DOCUMENT CONTAINS TRADE SECRET AND OTHER MATERIALS WHICH ARE PROTECTED BY CONFIDENTIALITY NOTICE AND AGREEMENT AND BY COPYRIGHT. ANY USE OR COPYING OF THIS DOCUMENT EXCEPT AS AUTHORIZED BY GARED HOLDINGS, LLC IS STRICTLY PROHIBITED.

GROUND SLEEVE, 6 5/8" OD, 4.5" POST			
DRAWN	CROSBY	DATE	3/4/2016
APPROVED		DATE	
FILE LOC. Q:\Inventor Files\Specification Files\06_Outdoor Products			
SIZE	SCALE	SHT. NO.	PART NO.
A		1 OF 2	FGP400GS
			REV C



MODEL FGP400GS

GROUND SLEEVE FOR 4 1/2" DIA. GOAL POST

Ground sleeve constructed of 6 5/8" O.D. heavy wall galvanized tubing. Sleeve is 60" long and is equipped with vertical slot to accept threaded rod through post to prevent rotation. Sleeve comes complete with all threaded rods and nuts to fit the standard 4 1/2" goal post. Two plates welded to the OD of the sleeve provide anti-rotation of sleeve in concrete footing.

Sleeve shall be designed for permanent installation. Sleeve to be installed with a concrete footing approximately 36" in diameter and 63" deep. Post shall extend approximately 39" into sleeve.

Ground sleeve kit is for a pair of posts.

Concrete and rebar for installation not included.