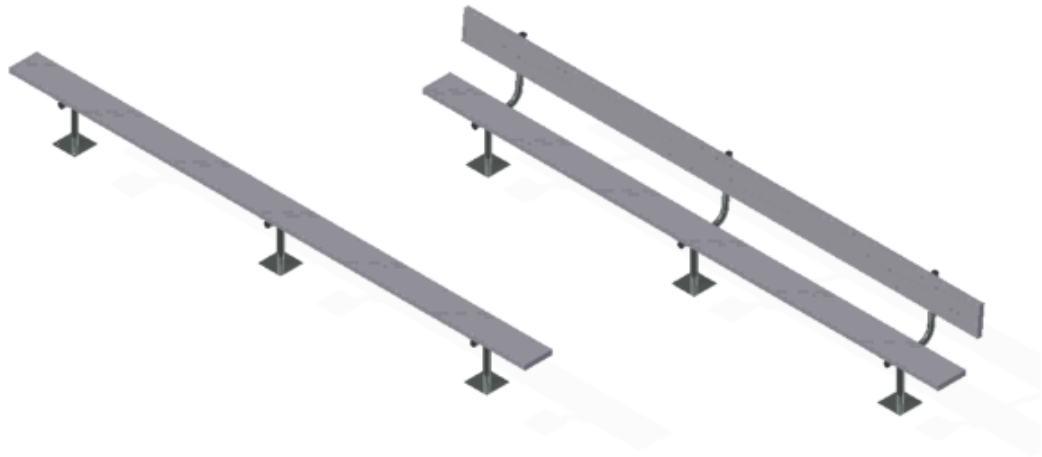




Surface Mounted Aluminum Benches

Models:

BE08SM, BE15SM, BE21SM, and BE27SM
BE08SMWB, BE15SMWB, BE21SMWB, and BE27SMWB



Assembly and Installation Instructions

Please read all instructions before attempting assembly of these units

SAVE THESE INSTRUCTIONS FOR FUTURE USE

PUBLICATION No.
B E x x S M -

Issued
January 23, 2015



Table of Contents

<u>Section</u>	<u>No.</u>	<u>Page</u>
Introduction/Liability Disclaimer		1
Parts Checklist		2
Bench Assembly		3

Introduction/Liability Disclaimers

Thank you for your purchase of the Surface Mount Aluminum Bench. This guide will provide information on the proper assembly and installation methods of your benches.

Please note that a Bill of Materials is being included with this guide. Please check that all of the parts called out on the Bill of Materials are present prior to beginning assembly. Please do not substitute for factory parts. Please contact the PSS or Gared Sports customer service department and allow them to determine if substitute parts are acceptable.

It is recommended that an individual who has been properly trained perform assembly and set up of the benches. No one under the age of 18 should attempt assembly or set up of the unit, unless properly supervised.

To prevent normal wear and tear from shortening the life of the unit, preventative maintenance inspections and repairs should be performed at least once per year. If the units are subject to high or unusual usage, inspections should be scheduled to occur more frequently. If items are found to be nonconforming, replacements can be ordered from PSS or Gared Sports or one of our authorized dealers. When contacting PSS or Gared Sports, please have information regarding the dealer/installer who sold the unit, the name of the project, and any applicable warranty information.



Surface Mount Aluminum Benches



Before proceeding with assembly, read all instructions and assembly procedures. Make sure all parts have been received and are not damaged.

Parts Checklist

Verify all parts listed on packing list are present prior to installation.

Item	Part Number	Description	Qty Required			
			7'-6"	15'	21'	27'
1	498001368	Frame In Ground Without Back	2	3	4	5
2	498011035	Mounting Clip	8	12	16	20
3	501-5-18-16G	Carriage Bolt 5/16" X 1"	8	12	16	20
4	548-5-18G	Whizlock Nut 5/16"	8	12	16	20
5	198011026-8AN	Plank, Seat 10" Anodized X 7.5'	1			
	198011026-15AN	Plank, Seat 10" Anodized X 15'		1		
	198011026-21AN	Plank, Seat 10" Anodized X 21'			1	
	198011026-27AN	Plank, Seat 10" Anodized X 27'				1
6	498011033	End Cap, Bleacher Plank	2	2	2	2
7	6044-11-00	1/8" Pop Rivet	4	4	4	4
8	498001064	Plastic Cap (Factory Installed)	4	6	8	10
Assembled Weight			36 Lbs.	61 Lbs.	83 Lbs.	105 Lbs.

Item	Part Number	Description	Qty Required			
			7'-6"	15'	21'	27'
1	498001369	Frame Surface Mount With Back	2	3	4	5
2	498011035	Mounting Clip	16	24	32	40
3	501-5-18-16G	Carriage Bolt 5/16" X 1"	16	24	32	40
4	548-5-18G	Whizlock Nut 5/16"	16	24	32	40
5	198011026-8AN	Plank, Seat 10" Anodized X 7.5'	2			
	198011026-15AN	Plank, Seat 10" Anodized X 15'		2		
	198011026-21AN	Plank, Seat 10" Anodized X 21'			2	
	198011026-27AN	Plank, Seat 10" Anodized X 27'				2
6	498011033	End Cap, Bleacher Plank	4	4	4	4
7	6044-11-00	1/8" Pop Rivet	8	8	8	8
8	498001064	Plastic Cap (Factory Installed)	4	6	8	10
Assembled Weight			66 Lbs.	112 Lbs.	153 Lbs.	194 Lbs.

Important Note:

Anchors for the bench are not supplied. Each bench frame requires four (4) anchors to mount the plate to the surface. Anchors required are 3/8" diameter and must have a minimum rating of 900 pounds pull out strength.

Assembly

1. The Plastic Caps (Item 8) are pre-installed at the factory, but are shown for reference should they be required for replacement. Refer to Figure 1 for without back models and Figure 2 for with back models.
2. Place each frame about 6' apart (4'-6" for the Models BE08IG and BE08IGWB). Begin installing the bench seat by inserting the mounting clips into the channel of the bench and securing with the 5/16" carriage bolt and 5/16" Whizlock nut. Install all clips before tightening any bolts.
3. Align the bench frames with the seat as shown in the final assembly illustration on page 5. Tighten all the mounting bolts.

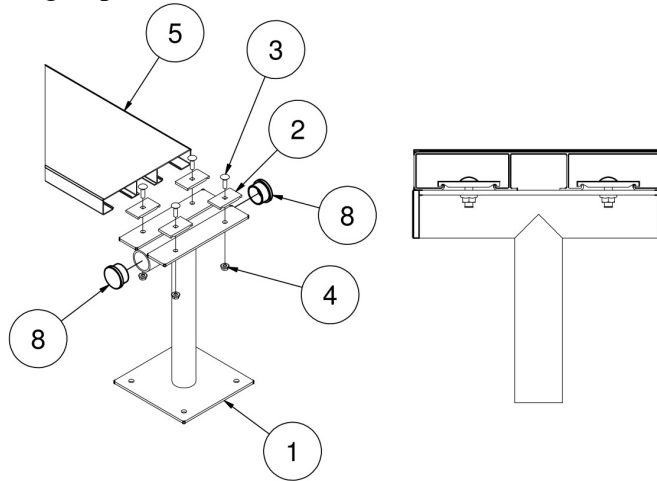


Figure 1

4. Install the seat back on with back models using the same method as mounting the seats. Refer to Figure 2.

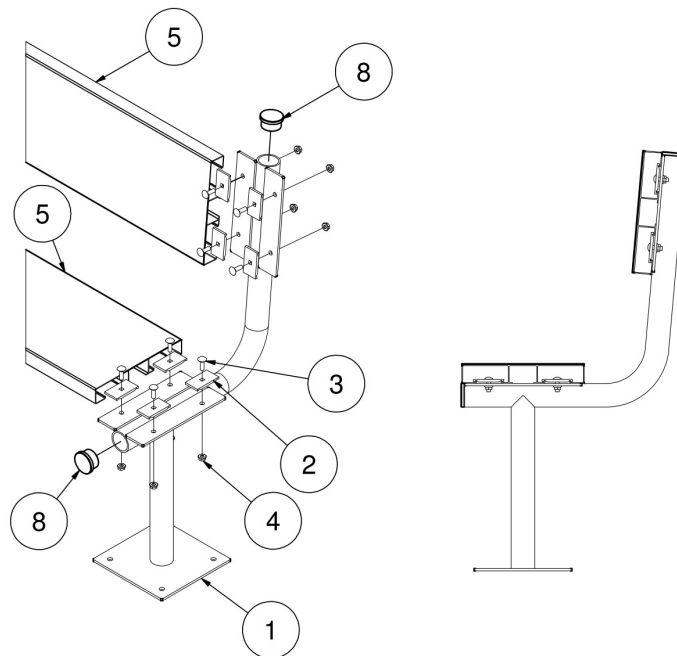


Figure 2

5. Install the end caps on each end of the seat planks and foot planks. Slide the end cap onto the plank with the holes on the underside of the plank. Using the holes in the end cap for a guide, insert the self-drilling screws to retain the end caps.

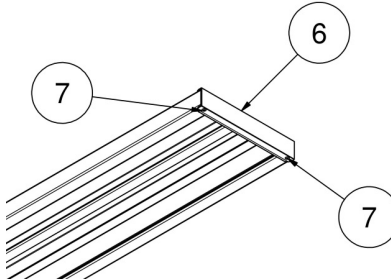
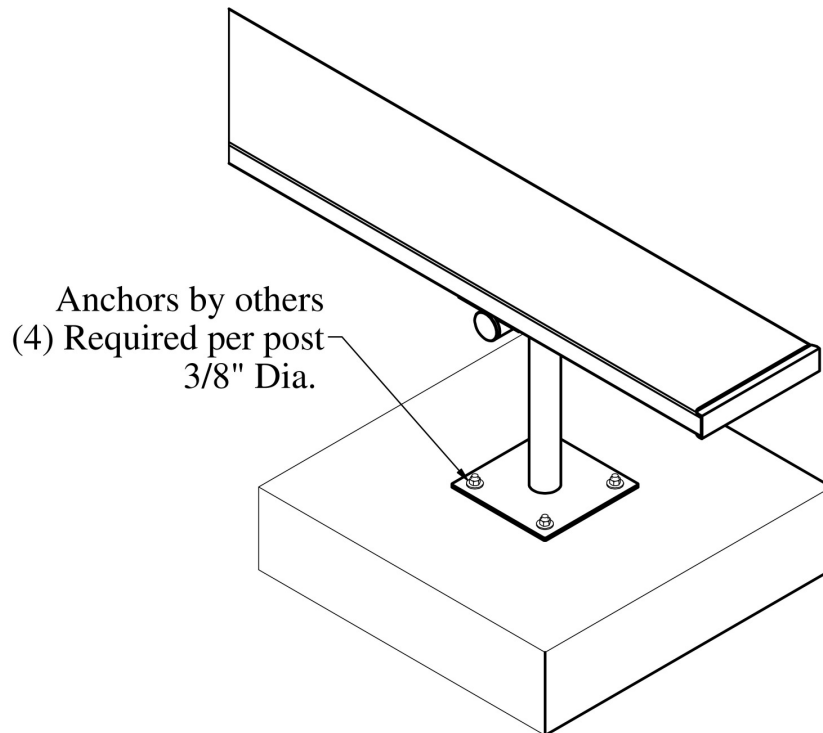
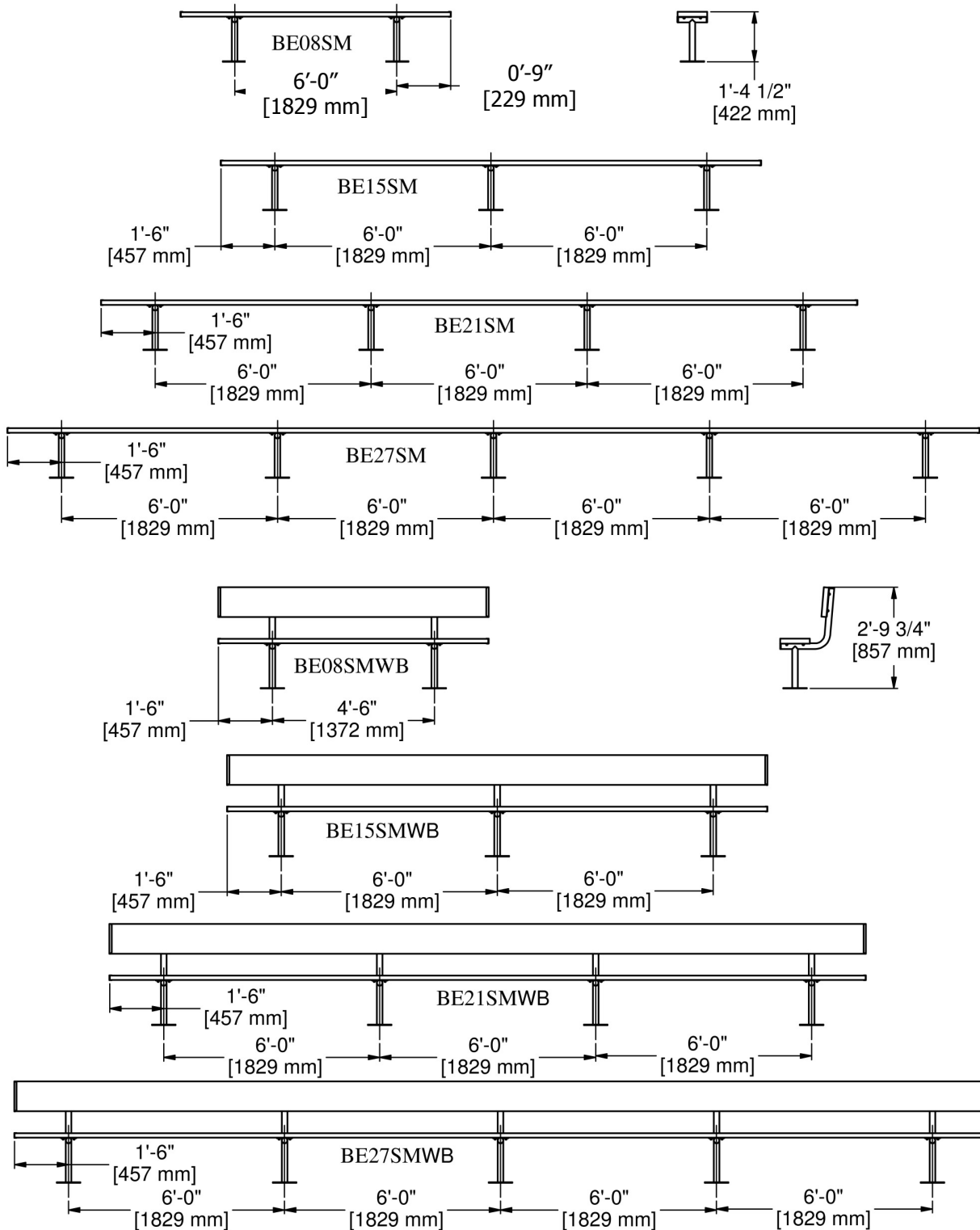


Figure 3

6. Position the assembled bench on the surface at the desired location. Mark each of the four holes at the base plates of the frames and drill the holes for the anchors. Use the drill size recommended by the anchor manufacturer and drill to the depth recommended by the anchor manufacturer.



Final Assembly Illustration





Gared Holdings, LLC

Performance Sports Systems
9200 E. 146th Street
Noblesville, IN 46060

800-848-8034
www.perfsports.com

Gared Sports
707 North 2nd Street
St. Louis, MO 63102

800-325-2682
www.garedsports.com