



Portable Aluminum Benches

Models:

BE08PT, BE15PT, BE21PT, and BE27PT
BE08PTWB, BE15PTWB, BE21PTWB, and BE27PTWB



Assembly Instructions

.....
Please read all instructions before attempting assembly of these units
.....

SAVE THESE INSTRUCTIONS FOR FUTURE USE

PUBLICATION No.
B E X X P T -

Issued
January 23, 2015



Portable Aluminum Benches



Table of Contents

| <u>Section</u> | <u>Page No.</u> |
|-----------------------------------|------------------------|
| Introduction/Liability Disclaimer | 1 |
| Parts Checklist | 2 |
| Bench Assembly | 3 |

Introduction/Liability Disclaimers

Thank you for your purchase of the Portable Aluminum Bench. This guide will provide information on the proper assembly and installation methods of your benches.

Please note that a Bill of Materials is being included with this guide. Please check that all of the parts called out on the Bill of Materials are present prior to beginning assembly. Please do not substitute for factory parts. Please contact the PSS or Gared Sports customer service department and allow them to determine if substitute parts are acceptable.

It is recommended that an individual who has been properly trained perform assembly and set up of the benches. No one under the age of 18 should attempt assembly or set up of the unit, unless properly supervised.

To prevent normal wear and tear from shortening the life of the unit, preventative maintenance inspections and repairs should be performed at least once per year. If the units are subject to high or unusual usage, inspections should be scheduled to occur more frequently. If items are found to be nonconforming, replacements can be ordered from PSS or Gared Sports or one of our authorized dealers. When contacting PSS or Gared Sports, please have information regarding the dealer/installer who sold the unit, the name of the project, and any applicable warranty information.



Portable Aluminum Benches



Before proceeding with assembly, read all instructions and assembly procedures. Make sure all parts have been received and are not damaged.

Parts Checklist

Verify all parts listed on packing list are present prior to installation.

| Item | Part Number | Description | Qty Required | | | |
|-------------------------|----------------|---------------------------------|----------------|----------------|----------------|-----------------|
| | | | 7'-6" | 15' | 21' | 27' |
| 1 | 498001372 | Frame Portable Without Back | 2 | 3 | 4 | 5 |
| 2 | 498011035 | Mounting Clip | 8 | 12 | 16 | 20 |
| 3 | 501-5-18-16G | Carriage Bolt 5/16" X 1" | 8 | 12 | 16 | 20 |
| 4 | 548-5-18G | Whizlock Nut 5/16" | 8 | 12 | 16 | 20 |
| 5 | 198011026-8AN | Plank, Seat 10" Anodized X 7.5' | 1 | | | |
| | 198011026-15AN | Plank, Seat 10" Anodized X 15' | | 1 | | |
| | 198011026-21AN | Plank, Seat 10" Anodized X 21' | | | 1 | |
| | 198011026-27AN | Plank, Seat 10" Anodized X 27' | | | | 1 |
| 6 | 498011033 | End Cap, Bleacher Plank | 2 | 2 | 2 | 2 |
| 7 | 6044-11-00 | 1/8" Pop Rivet | 4 | 4 | 4 | 4 |
| 8 | 498001064 | Plastic Cap (Factory Installed) | 8 | 12 | 16 | 20 |
| Assembled Weight | | | 35 Lbs. | 59 Lbs. | 80 Lbs. | 102 Lbs. |

| Item | Part Number | Description | Qty Required | | | |
|-------------------------|----------------|---------------------------------|----------------|-----------------|-----------------|-----------------|
| | | | 7'-6" | 15' | 21' | 27' |
| 1 | 498001373 | Frame Portable With Back | 2 | 3 | 4 | 5 |
| 2 | 498011035 | Mounting Clip | 16 | 24 | 32 | 40 |
| 3 | 501-5-18-16G | Carriage Bolt 5/16" X 1" | 16 | 24 | 32 | 40 |
| 4 | 548-5-18G | Whizlock Nut 5/16" | 16 | 24 | 32 | 40 |
| 5 | 198011026-8AN | Plank, Seat 10" Anodized X 7.5' | 2 | | | |
| | 198011026-15AN | Plank, Seat 10" Anodized X 15' | | 2 | | |
| | 198011026-21AN | Plank, Seat 10" Anodized X 21' | | | 2 | |
| | 198011026-27AN | Plank, Seat 10" Anodized X 27' | | | | 2 |
| 6 | 498011033 | End Cap, Bleacher Plank | 4 | 4 | 4 | 4 |
| 7 | 6044-11-00 | 1/8" Pop Rivet | 8 | 8 | 8 | 8 |
| 8 | 498001064 | Plastic Cap (Factory Installed) | 8 | 12 | 16 | 20 |
| Assembled Weight | | | 67 Lbs. | 113 Lbs. | 154 Lbs. | 196 Lbs. |

Assembly

1. The Plastic Caps (Item 8) are pre-installed at the factory, but are shown for reference should they be required for replacement. Refer to Figure 1 for without back models and Figure 2 for with back models.
2. Place each frame about 6' apart (4'-6" for the Models BE08PT and BE08PTWB). Begin installing the bench seat by inserting the mounting clips into the channel of the bench and securing with the 5/16" carriage bolt and 5/16" Whizlock nut. Install all clips before tightening any bolts.
3. Align the bench frames with the seat as shown in the final assembly illustration on page 4. Tighten all the mounting clip bolts.

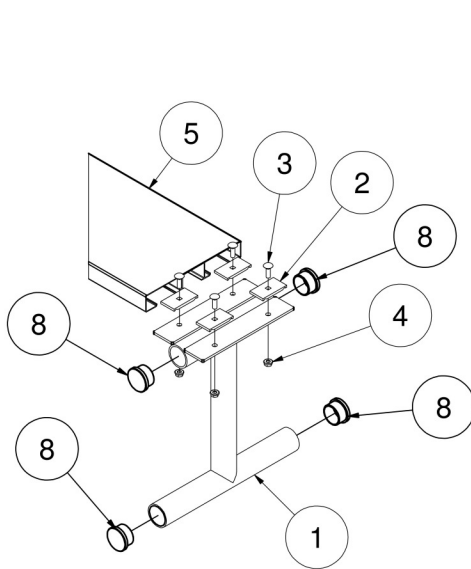


Figure 1

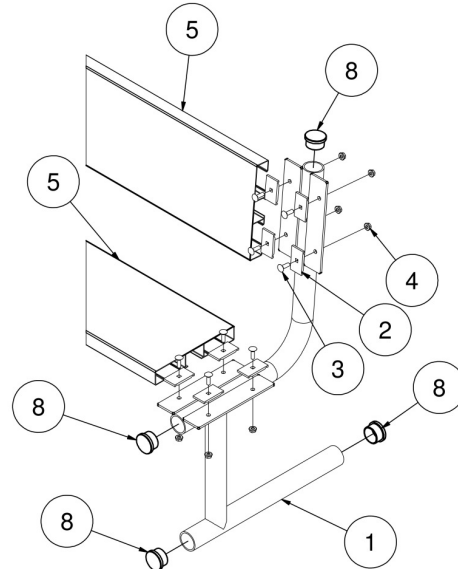


Figure 2

4. Install the seat back on with back models using the same method as mounting the seats. Refer to Figure 2.
5. Install the end caps on each end of the seat planks and foot planks. Slide the end cap onto the plank with the holes on the underside of the plank. Using the holes in the end cap for a guide, insert the self-drilling screws to retain the end caps.

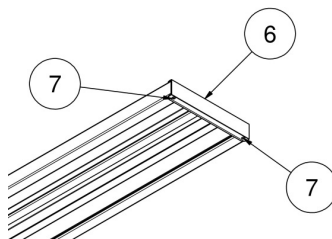
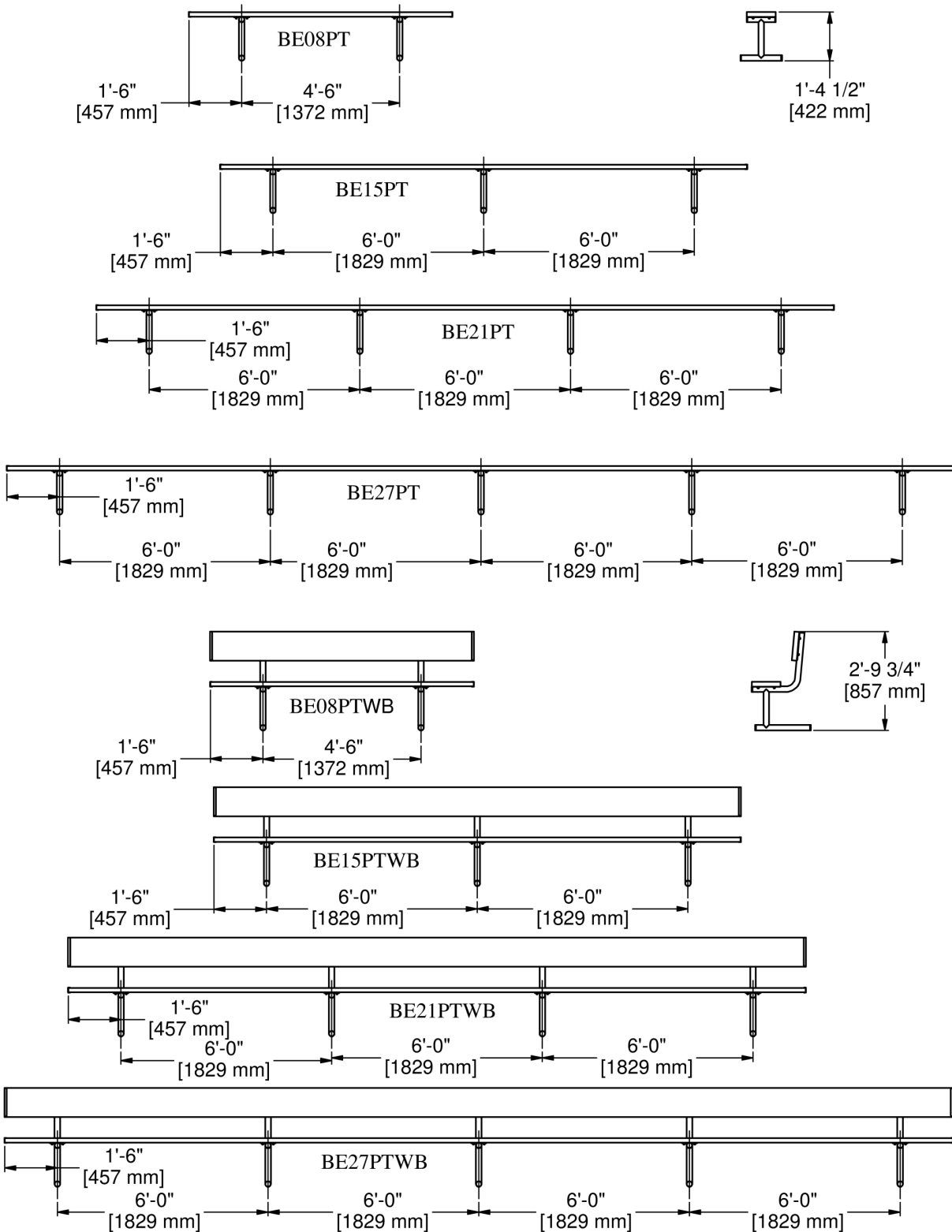


Figure 3

Final Assembly Illustration





Gared Holdings, LLC

Performance Sports Systems
9200 E. 146th Street
Noblesville, IN 46060

800-848-8034
www.perfsports.com

Gared Sports
707 North 2nd Street
St. Louis, MO 63102

800-325-2682
www.garedsports.com