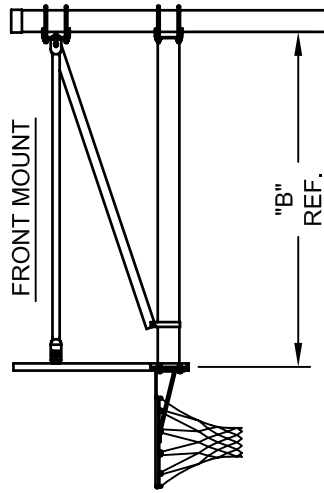
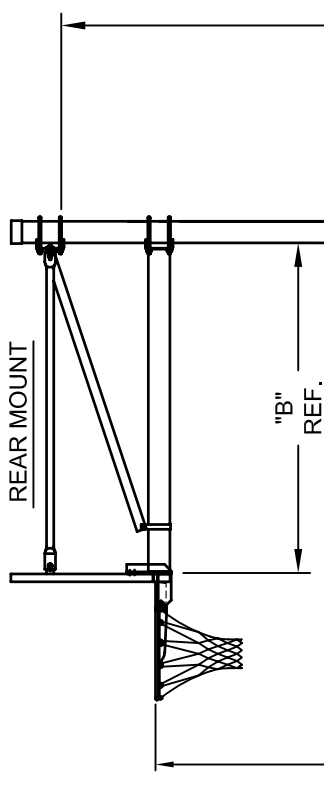
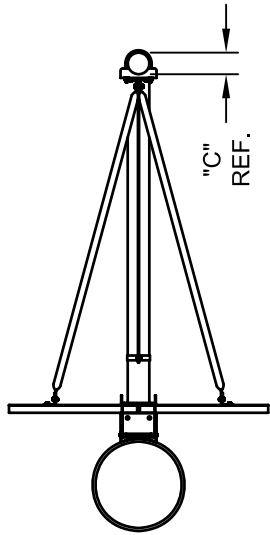
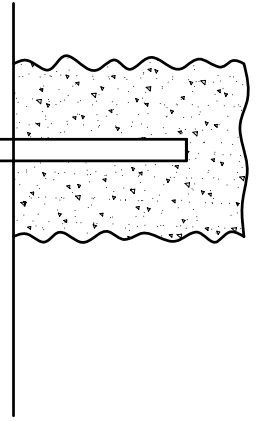


FRONT MOUNT GOAL			
MODEL	DIM. "A" Ft.-In. (Meters)	DIM. "B" In. (Meters)	DIA. "C" In. (MM)
AABS 45-5F	15'-6" (4.72M)	59" (1.50M)	4.5" (114mm)
AABS 60F	15'-6" (4.72M)	59" (1.50M)	5.56" (141mm)
AABS 65F	15'-6" (4.72M)	71" (1.80M)	6.63" (168mm)

REAR MOUNT GOAL			
MODEL	DIM. "A" Ft.-In. (Meters)	DIM. "B" In. (Meters)	DIA. "C" In. (MM)
AABS 45-5R	15'-6" (4.72M)	60.3" (1.53M)	4.5" (114mm)
AABS 60R	15'-6" (4.72M)	60.3" (1.53M)	5.56" (141mm)
AABS 65R	15'-6" (4.72M)	72.3" (1.84M)	6.63" (168mm)



NOTE:  
DIMENSION "B" IS FROM THE  
FACE OF THE MOUNTING PLATE  
TO THE EDGE OF POST.



10'-0"  
[3.05 m]

"A"  
REF.

"B"  
REF.

PLAYING SURFACE

3'-0"  
[0.91 m]  
MINIMUM

4'-0"  
[1.22 m]  
MINIMUM

3'-0"  
[0.91 m]  
MINIMUM

REVISION		
REV.	DATE	BY
A	05/13/03	JJC
B	12/01/03	JJC
C	01/20/06	JJC
D	05/28/08	RWP



Gared Holdings, LLC  
9200 E. 146th St. Noblesville, IN 46060

THIS DOCUMENT CONTAINS TRADE SECRET AND OTHER MATERIALS WHICH ARE PROTECTED BY CONFIDENTIALITY NOTICE AND AGREEMENT AND BY COPYRIGHT. ANY USE OR COPYING OF THIS DOCUMENT EXCEPT AS AUTHORIZED BY GARED HOLDINGS, LLC IS STRICTLY PROHIBITED.

ADJ. ARM BRACE & STRUT - STRAIGHT SYSTEM

DRAWN	CONNERLEY	DATE	05/01/03	MATERIAL	N/A
APPROVED	JJC	DATE	05/01/03	FINISH	N/A
FILE LOC. Q:\Final Release\Specifications				DWG. NO.	AAB45-60
SIZE	SCALE	SHT. NO.	PART NO.	REV	
A	NONE	1 OF 1	AAB45-60	D	



## MODEL AABS45-5 , MODEL AABS60 , and MODEL AABS65

### **ADJUSTABLE HEIGHT OUTDOOR BASKETBALL SYSTEM**

#### **AABS45-5**

This unit is designed to allow for height adjustment of the extension arm by using two ½” diameter “U” bolts that secure extension arm to vertical post. The extension arm shall be 3 ½” O.D. galvanized pipe and shall extend 60” out from the vertical post. The vertical post shall be 4 ½” O.D. galvanized pipe. The mounting plate is used as a direct goal attachment for the backboard. Two braces extending from the upper mounting points of the backboard to the vertical post and a single strut from the vertical post to the extension arm provide added rigidity to the system. The system can be used with all outdoor front and rear mounted boards and goals.

Post shall extend into the concrete footing at least 36”. Concrete footing shall be a minimum of 30” in diameter and a minimum of 48” deep.

**Concrete for installation not included.**

#### **AABS60**

This unit is designed to allow for height adjustment of the extension arm by using two ½” diameter “U” bolts that secure extension arm to vertical post. The extension arm shall be 4 ½” O.D. galvanized pipe and shall extend 60” out from the vertical post. The vertical post shall be 5 9/16” O.D. galvanized pipe. The mounting plate is used as a direct goal attachment for the backboard. Two braces extending from the upper mounting points of the backboard to the vertical post and a single strut from the vertical post to the extension arm provide added rigidity to the system. The system can be used with all outdoor front and rear mounted boards and goals.

Post shall extend into the concrete footing at least 36”. Concrete footing shall be a minimum of 30” in diameter and a minimum of 48” deep.

**Concrete for installation not included.**

#### **AABS65**

This unit is designed to allow for height adjustment of the extension arm by using two ½” diameter “U” bolts that secure extension arm to vertical post. The extension arm shall be 4 ½” O.D. galvanized pipe and shall extend 72” out from the vertical post. The vertical post shall be 6 5/8” O.D. galvanized pipe. The mounting plate is used as a direct goal attachment for many styles of backboards. Two braces extending from the upper mounting points of the backboard to the vertical post and a single strut from the vertical post to the extension arm provide added rigidity to the system. The system can be used with all outdoor front and rear mounted boards and goals.

Post shall extend into the concrete footing at least 36”. Concrete footing shall be a minimum of 30” in diameter and a minimum of 48” deep.

**Concrete for installation not included.**

Subject to design change and current manufacturing practices.  
Revised April 4, 2008 ©2008 Gared Holdings, LLC