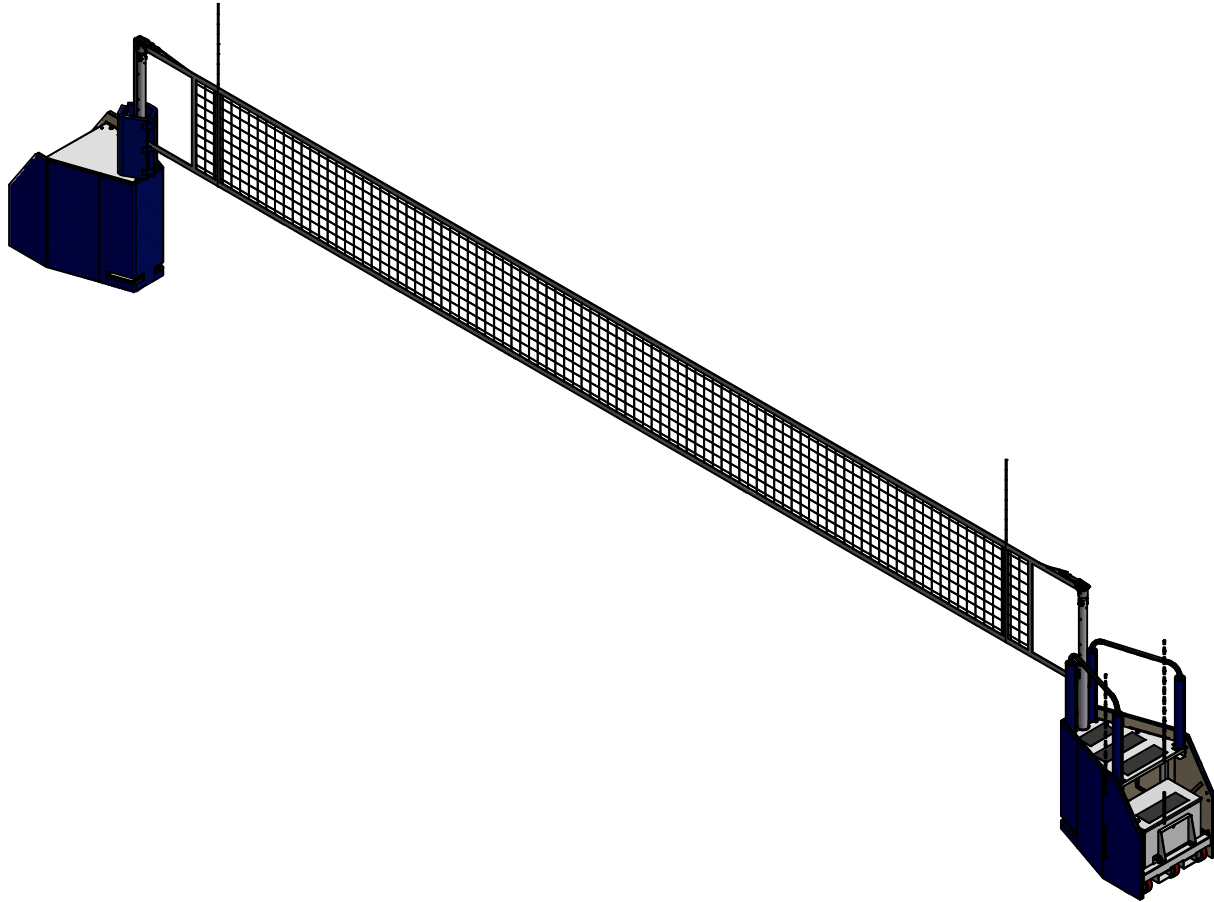


Model: 8500 & 8502  
Go Court Portable Volleyball



**Installation, Operation and Maintenance Instructions**

.....  
**Please read all instructions before attempting installation or operation of these units**  
.....

SAVE THESE INSTRUCTIONS FOR FUTURE USE

**Installation and Assembly Instructions**



Gared Holdings, LLC  
9200 E. 146th St.  
Noblesville, IN 46060

GO COURT PORTABLE VOLLEYBALL			
FILE LOC. Q:\Inventor Files\			
DATE	SHT. NO.	PART NO.	REV
3/6/2017	1 OF 10	601751400	A

## Table of Contents

<u>Section</u>	<u>Page No.</u>
Introduction	2
Model Configurations	3
Parts List by Sub-Assembly	3
Set-Up Guide	4
Base Unit Set Up	5
Pad Installation	6
Net Installation	7-8
Center Post Instructions	9
Maintenance Check Sheet	10

## Introduction

Thank you for your purchase of a Gared Sports “GoCourt” volleyball system. To ensure that our equipment will provide years of use to you, we are including this installation, operation, and maintenance guide. This guide will provide information on the proper assembly and installation methods, operating procedures, and preventative maintenance of your portable backstop.

Please note that a Bill of Materials is being included with this guide. Please check that all of the parts called out on the Bill of Materials are present prior to beginning assembly and setup. Please do not substitute for factory parts. Please contact the PSS or Gared Sports customer service department and allow them to determine if substitute parts are acceptable.

It is recommended that an individual who has been properly trained perform assembly and set up of the system. No one under the age of 18 should attempt assembly or set up of the unit, unless properly supervised.

To prevent normal wear and tear from shortening the life of the unit, preventative maintenance inspections and repairs should be performed at least once per year. If the units are subject to high or unusual usage, inspections should be scheduled to occur more frequently. If items are found to be nonconforming, replacements can be ordered from PSS or Gared Sports or one of our authorized dealers. When contacting PSS or Gared Sports, please have information regarding the dealer/installer who sold the unit, the name of the project, and any applicable warranty information.

## Installation and Assembly Instructions



Gared Holdings, LLC  
9200 E. 146th St.  
Noblesville, IN 46060

GO COURT PORTABLE VOLLEYBALL			
FILE LOC.	Q:\Inventor Files\		
DATE	SHT. NO.	PART NO.	REV
3/6/2017	2 OF 10	601751400	A

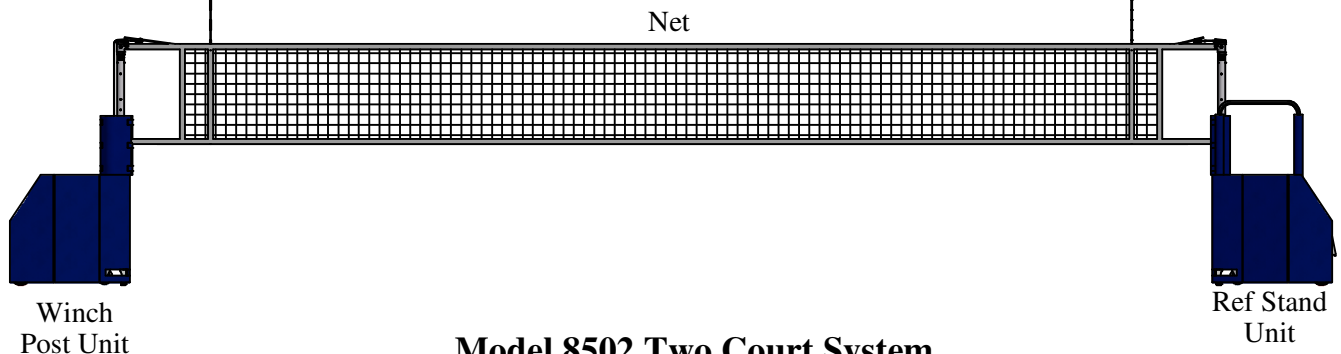
### Parts listed by sub-assembly for Model 8500

Part Number	Description	Qty
8510	REF STAND UNIT	1 EACH
8515	WINCH POST UNIT	1 EACH
1028-22-00	NET ANTENNA	1 PAIR
7607-22-00	NET SIDELINE MARKER	2 EACH
601652115	VOLLEYBALL NET	1 EACH
883803617	PAD SET	1 EACH

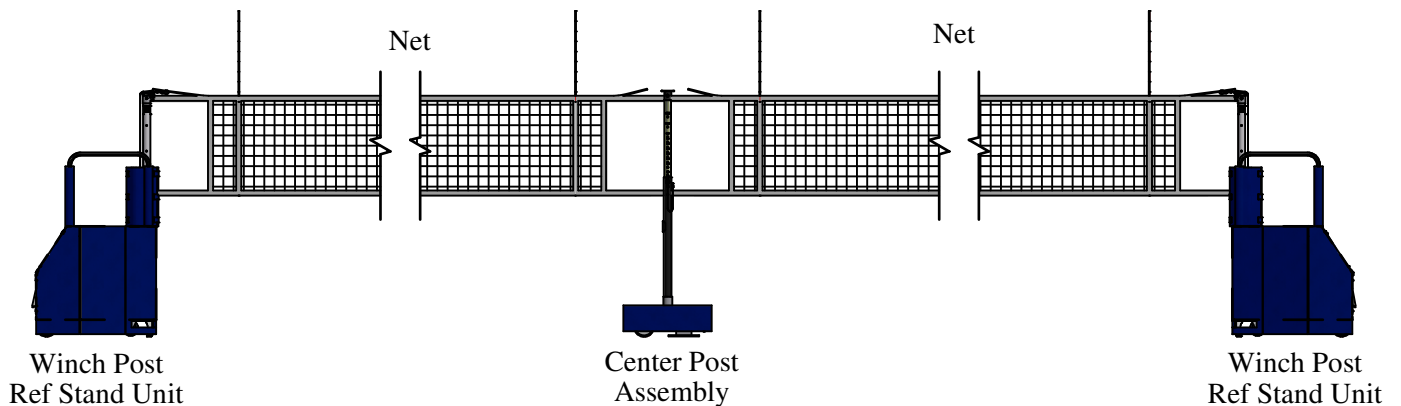
### Parts listed by sub-assembly for Model 8502

Part Number	Description	Qty
8512	WINCH POST & REF STAND UNIT	2 EACH
603801127	CENTER POST ASSEMBLY	1 EACH
1028-22-00	NET ANTENNA	2 PAIR
7607-22-00	NET SIDELINE MARKER	4 EACH
601652115	VOLLEYBALL NET	2 EACH
883803625	PAD SET	1 EACH
603801126	DOLLY ASSEMBLY – CENTER POST	1 EACH

#### Model 8500 One Court System



#### Model 8502 Two Court System



### Installation and Assembly Instructions



Gared Holdings, LLC  
9200 E. 146th St.  
Noblesville, IN 46060

#### GO COURT PORTABLE VOLLEYBALL

FILE LOC. Q:\Inventor Files\

DATE

3/6/2017

SHT. NO.

3 OF 10

PART NO.

601751400

REV

A

# Set-up Guide

## Parts Checklist

Verify all parts listed on packing list are present prior to installation.

### Base Units

-Ref Stand Unit(s)  OK

-Winch Post Unit(s)  OK

### Net/Cable Hardware

-Cable  OK

-Winch(s) & Hardware  OK

-Antenna(s)  OK

-Net(s)  OK

### Padding

-Upright Pads  OK

-Chain & Cable Covers  OK

### Additional Components for 8502

-Center Post Assembly  OK

-Center Post Dolly  OK

## Installation and Assembly Instructions

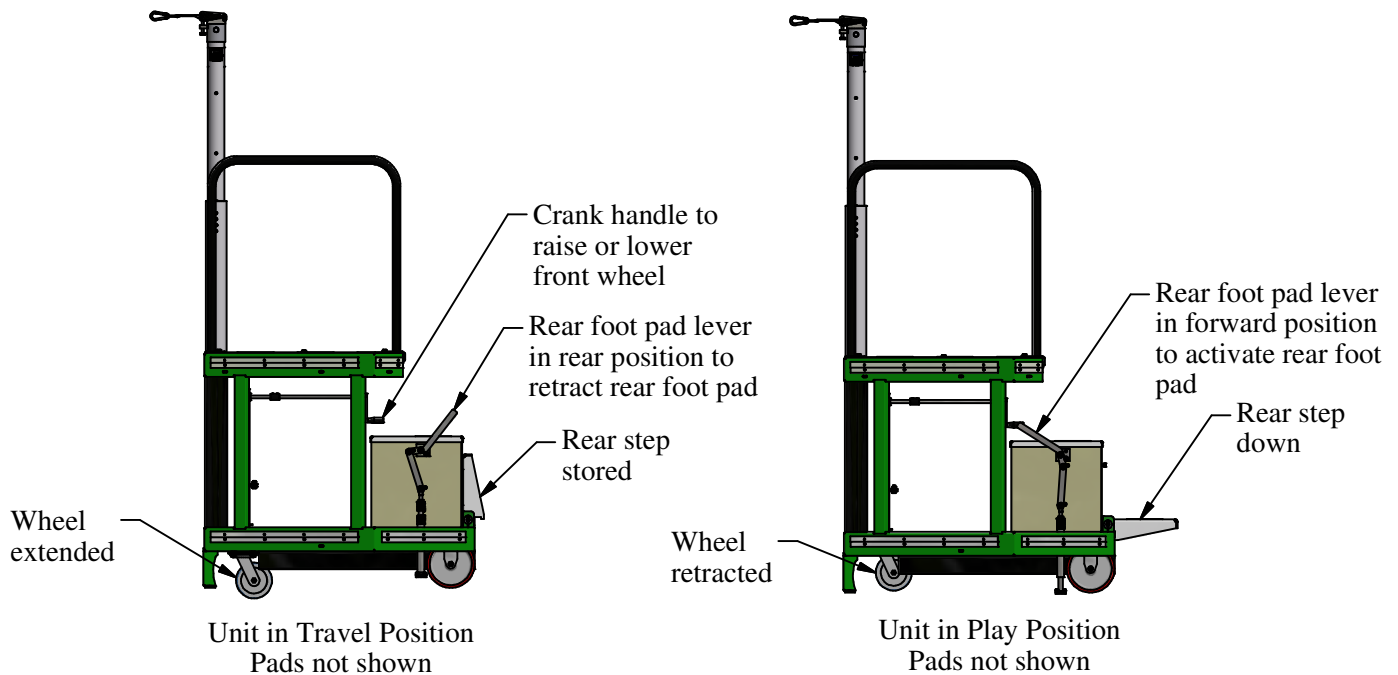


Gared Holdings, LLC  
9200 E. 146th St.  
Noblesville, IN 46060

GO COURT PORTABLE VOLLEYBALL			
FILE LOC. Q:\Inventor Files\			
DATE	SHT. NO.	PART NO.	REV
3/6/2017	4 OF 10	601751400	A

## Base Unit Set Up

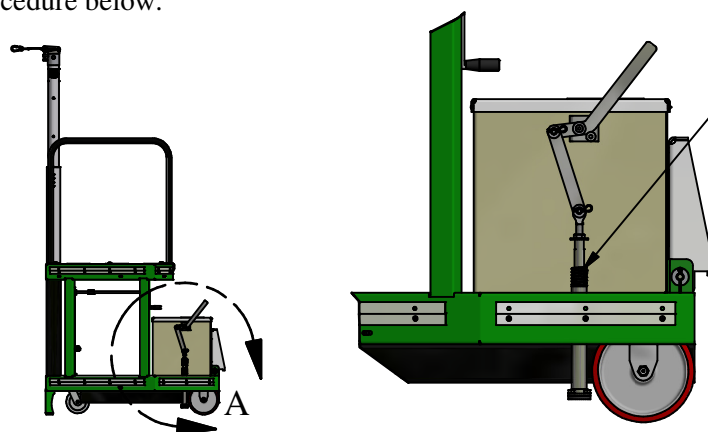
The base units are designed to be easily moved into position or into storage by simply raising or lowering the front wheel with the crank handle located near the center of the unit when viewed from the rear. The two rear foot pads are easily raised or lowered with the levers on each side of the weight box.



Prior to installing the pads, lower and raise the unit a few times to get the feel of the unit between the playing and travel position. also, attempt to roll the unit in the travel position to make sure it will move freely.

When setting the rear foot pads for play, it is easier to raise the unit to the travel position and then put the rear foot pad levers in the full forward and lock position. Then lower the unit using the hand crank until the front pad is fully on the floor. Make sur the front wheel is retracted fully off the floor.

The rear foot pads are set at the factory; however, should they require adjustment, follow the adjusting procedure below.



Compress spring to reveal flats on tube for a wrench. Hold the tube and loosen the locknut.

1. After loosening the locknut, place the lever in the down and locked position.
2. Adjust the tube until the footpad touches the floor.
3. Raise the hand lever to the up position.
4. Adjust the tube 3/16" longer.
5. Tighten the locknut.
6. Repeat the process for the other foot pad.

DETAIL A

## Installation and Assembly Instructions



Gared Holdings, LLC  
9200 E. 146th St.  
Noblesville, IN 46060

### GO COURT PORTABLE VOLLEYBALL

FILE LOC. Q:\Inventor Files\

DATE

3/6/2017

SHT. NO.

5 OF 10

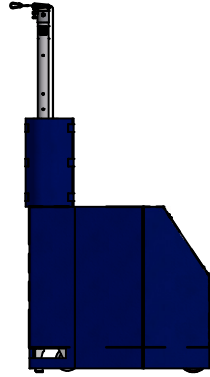
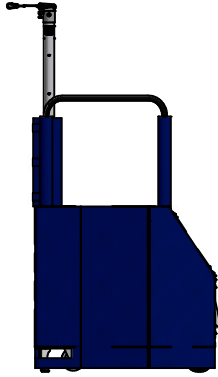
PART NO.

601751400

REV

A

## Pad Installation Instructions



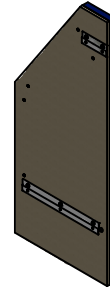
Pads Installed



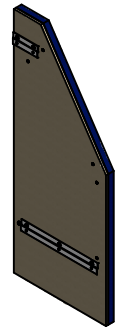
Front Pad



Side Pad

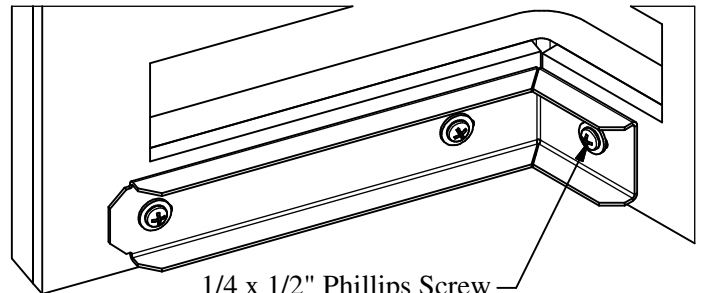


LH Rear Pad

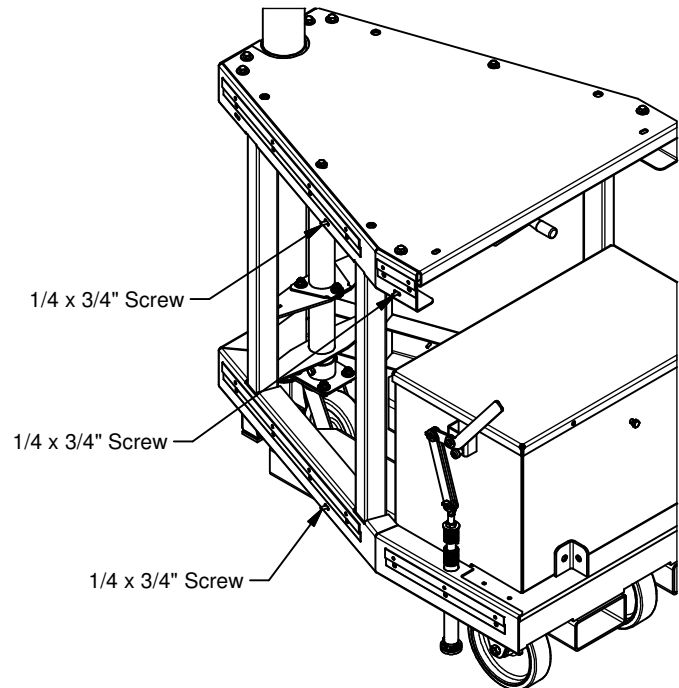


RH Rear Pad

1. Fold the sides of the front pad and secure in the folded position with the pad support brackets. Using the 1/4 x 1/2" Phillips screws and 1/4" flat washers.
2. Install the front pad onto the unit first. Align the Z-Clips of the pad to the Z-Clips of the base and press the pad down until the Z-Clips are fully seated.
3. Install the side pads next in the same manner as the front pad making sure the edges of the side pads are firm against the edge of the front pads.
4. With the side pads fully seated in the Z-Clips, install a 1/4 x 3/4" screw with flat washer and lock washer through the frame rail slot at the top and bottom frame rails and into the side pad embedded nuts.
5. Install the rear pads by aligning the Z-Clips of the pad to the Z-Clips of the frame and press down until the Z-Clips are fully seated.
6. With the rear pads fully seated in the Z-Clips, install a 1/4 x 3/4" screw with flat washer and lock washer through the frame rail slot at the top frame rail and into the rear pad embedded nut.
7. Install the hand rail pads onto the ref stand unit hand rails by opening the velcro and sliding the slit in the pad over the vertical section of the hand rail. Once in place, close the velcro along the slit of the pad.
8. The post pads will be installed after the net has been attached to the unit. The post pads are wrapped around the post and fastened with the velcro straps. One post pad is used on the ref stand unit and two post pads are used on the winch post unit.



1/4 x 1/2" Phillips Screw  
1/4" Flat Washer



1/4 x 3/4" Screw

1/4 x 3/4" Screw

1/4 x 3/4" Screw

## Installation and Assembly Instructions



Gared Holdings, LLC  
9200 E. 146th St.  
Noblesville, IN 46060

### GO COURT PORTABLE VOLLEYBALL

FILE LOC. Q:\Inventor Files\

DATE

3/6/2017

SHT. NO.

6 OF 10

PART NO.

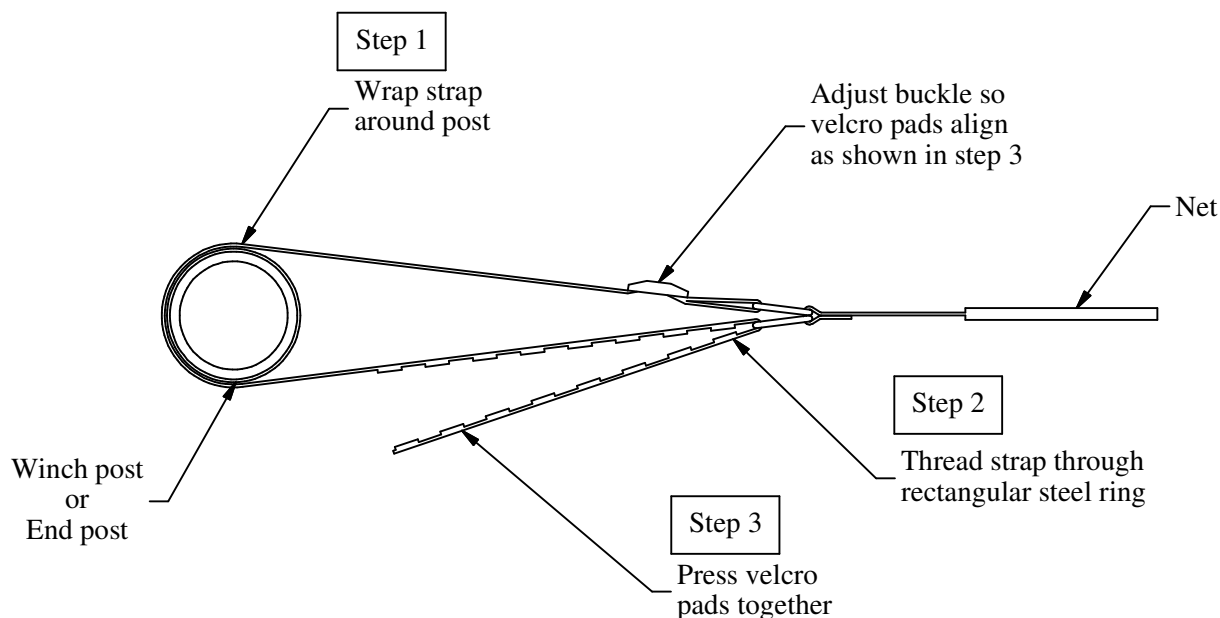
601751400

REV

A

## Post and Net Installation Instructions

1. Lay out the net in the approximate position between the two posts.
2. Remove the adjustment pins to change heights of the upper telescopic tubes. Reinsert at the desired playing height. Post height is adjustable. Turn the winch handle counterclockwise and pull out the tension belt till it is fully extended.
3. Beginning at the Winch Post Unit, attach the net cable to the winch belt with a snap link as shown on the following page. Attach the other end of the net cable to the top of the End Post with a snap link.
4. Next, turn the winch handle clockwise to tighten the net cable. Center the net so that there is equal space between the ends of the net and the posts. Undo the Velcro net straps as they come shipped with the net. Wrap the straps around the posts as shown in the illustration at the bottom of this page. Pull the straps tight and press the Velcro surfaces together. These straps are responsible for maintaining the net tension and may need to be retightened periodically. Expect stretch in the net.
5. The height of the net will vary with the tightness of the cable; however, it is important to not overtighten the cable. For minor adjustments in the height of the net, use the thumb screw adjusters at the top of each post where the tension belt or end connections are made.



Top View of Net Strap Placement

## Installation and Assembly Instructions



Gared Holdings, LLC  
9200 E. 146th St.  
Noblesville, IN 46060

### GO COURT PORTABLE VOLLEYBALL

FILE LOC. Q:\Inventor Files\

DATE

3/6/2017

SHT. NO.

7 OF 10

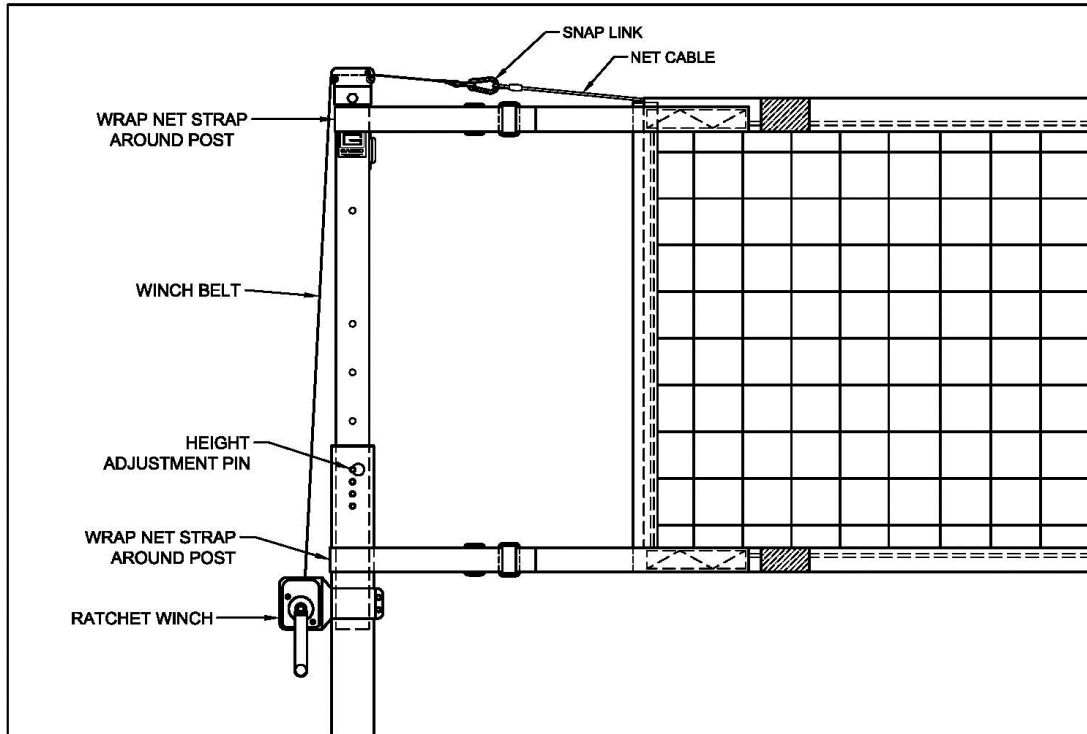
PART NO.

601751400

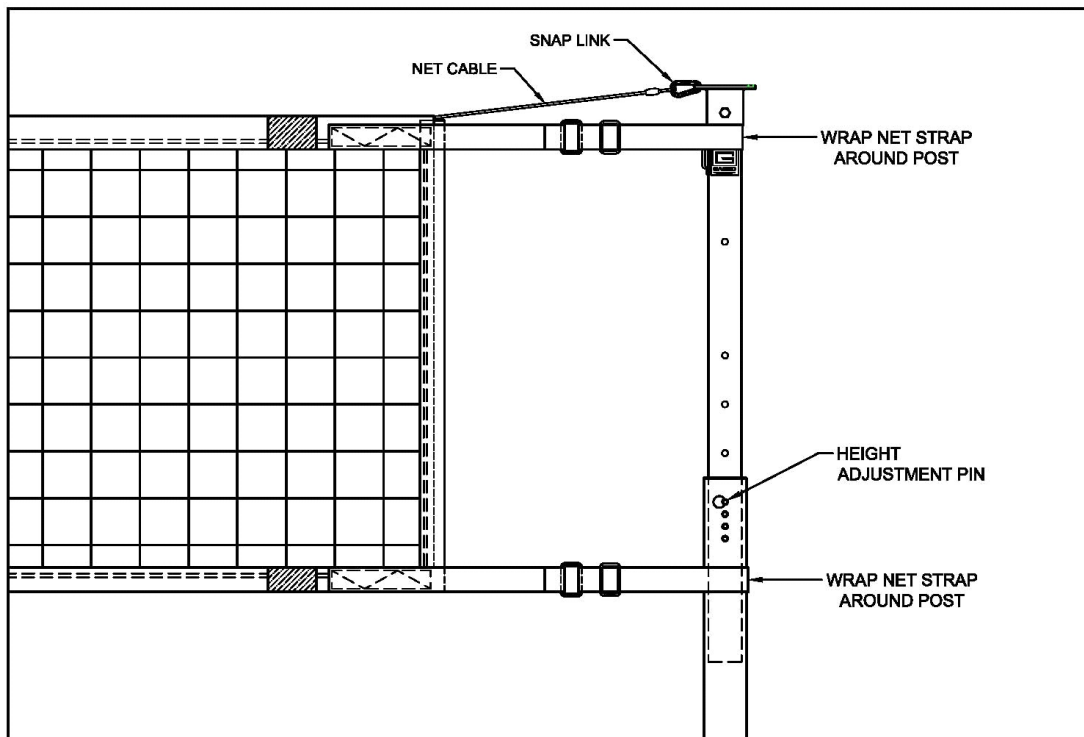
REV

A

## Details – Winch Post with Net



## Details – End Post with Net



## Installation and Assembly Instructions



Gared Holdings, LLC  
9200 E. 146th St.  
Noblesville, IN 46060

### GO COURT PORTABLE VOLLEYBALL

FILE LOC. Q:\Inventor Files\

DATE 3/6/2017

SHT. NO. 8 OF 10

PART NO. 601751400

REV A



## Center Post for Model 8502

Using the dolly, move the center post base into position between the two base units in the center of the two courts.

Attach the nets to the center post as described on the previous page and then attach the nets to the respective base unit.

### **Important:**

Both net cables must be tightened at the same time to prevent moving the center post off position or tipping of the center post.

**Make sure two persons are present to tighten the net cables. Tighten the net cables and then attach the net straps to complete the set up.**

### **Installation and Assembly Instructions**



Gared Holdings, LLC  
9200 E. 146th St.  
Noblesville, IN 46060

GO COURT PORTABLE VOLLEYBALL			
FILE LOC. Q:\Inventor Files\			
DATE	SHT. NO.	PART NO.	REV
3/6/2017	9 OF 10	601751400	A

## Maintenance

1. General inspection of equipment when used should be performed to ensure no catastrophic failures have occurred during the course of use between yearly inspections.
2. It is recommended that yearly inspections be conducted to determine if any bolts or any other hardware has become worn or loosened. A sample check sheet has been provided for you in this guide.
3. During yearly inspections, all moving parts should be inspected while in operation. Key points to look for include rotation points where bushings contact metal, winches, pulleys and quick links. The strap should be looked at for any degradation or fraying.
4. Any loose bolts or nuts should be tightened.
5. Check Sliding components and strap for wear.

## Maintenance Check Sheet

Date: \_\_\_\_\_

Unit: \_\_\_\_\_.

### **Unit Supports / Brackets / Hinges**

-Tubes; dents, stress spots, etc. OK  Repair  Replace

-Bolts; loose, deformed, etc. OK  Repair  Replace

-Brackets/Hinges; bent, not rotating, etc.  
OK  Repair  Replace

### **Winch/Strap**

-Winch; binding, loose, etc. OK  Repair  Replace

-Hardware; Quick links OK  Repair  Replace

### **Sliding Components**

-Locking Mechanisms OK  Repair  Replace

### **Safety Padding**

-Velcro Function OK  Repair  Replace

-Vinyl Condition OK  Repair  Replace

Replacement parts and / or service to the equipment can be obtained from your local PSS or Gared dealer or installer. To find your local dealer, visit us online or contact customer service department at [www.perfsports.com](http://www.perfsports.com) 800-848-8034 or [www.garedsports.com](http://www.garedsports.com) 800-325-2682.

## Installation and Assembly Instructions



Gared Holdings, LLC  
9200 E. 146th St.  
Noblesville, IN 46060

GO COURT PORTABLE VOLLEYBALL			
FILE LOC. Q:\Inventor Files\			
DATE	SHT. NO.	PART NO.	REV
3/6/2017	10 OF 10	601751400	A