

GARED

Gared Pro Portable Backstop

Models: 5016, 5017, & 5018



Installation, Operation and Maintenance Instructions

Please read all instructions before attempting installation or operation of these units

SAVE THESE INSTRUCTIONS FOR FUTURE USE

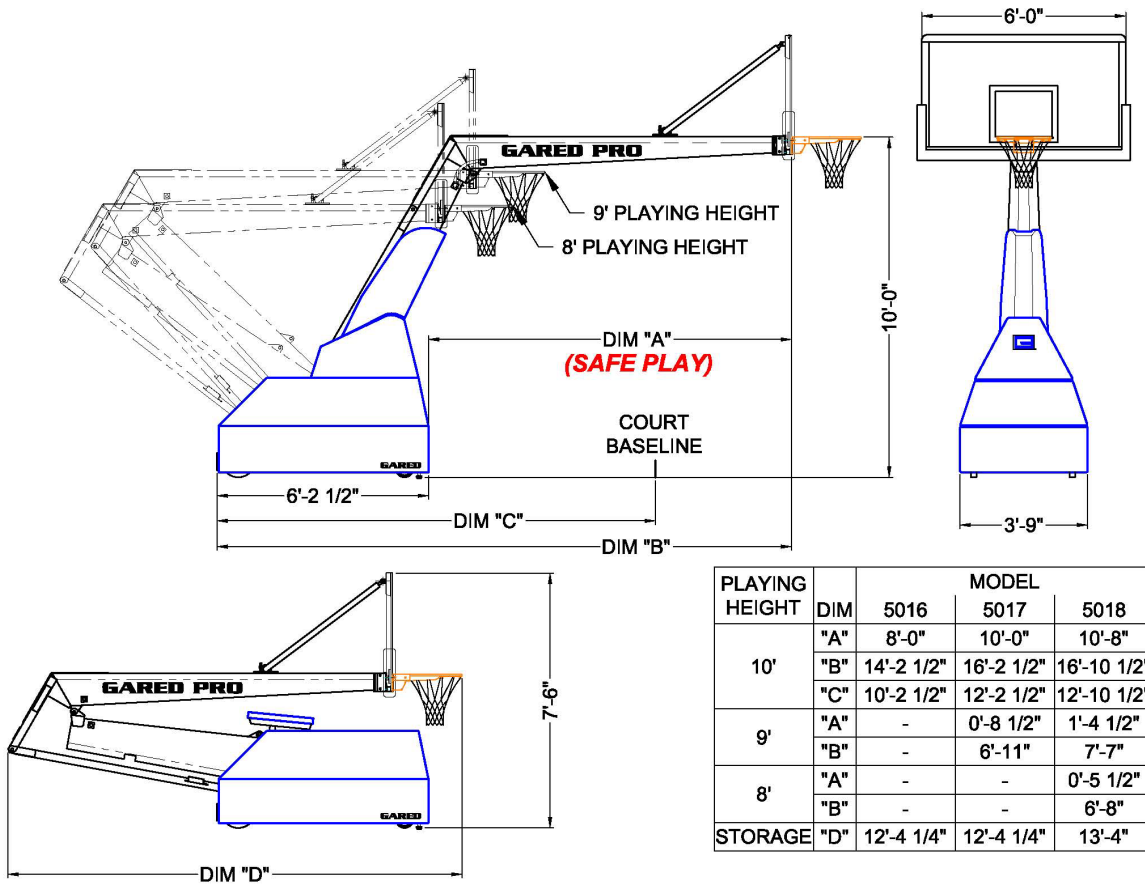
PUBLICATION No.
5 5 1 7 5 4 9 5 8

Revised revC
Sept. 18, 2017



Gared Pro Portable Backstop

BASIC DIMENSIONS





Gared Pro Portable Backstop

Table of Contents

<u>Section</u>	<u>Page No.</u>
Introduction	2
Cautions and Warnings	3
Parts Checklist	4
Assembly and Setup	6
Unit Operation	12
Maintenance	13
Schematics	14



Gared Pro Portable Backstop

Introduction

Thank you for your purchase of a Gared Sports model Gared Pro Portable backstop. To ensure that our equipment will provide years of use to you, we are including this installation, operation, and maintenance guide. This guide will provide information on the proper assembly and installation methods, operating procedures, and preventative maintenance of your portable backstop.

Please note that a Bill of Materials is being included with this guide. Please check that all of the parts called out on the Bill of Materials are present prior to beginning assembly and setup. Please do not substitute for factory parts. Please contact the Gared Sports customer service department and allow them to determine if substitute parts are acceptable.

It is recommended that an individual who has been properly trained perform assembly and set up of the backstop. No one under the age of 18 should attempt assembly or set up of the unit, unless properly supervised.

To prevent normal wear and tear from shortening the life of the unit, preventative maintenance inspections and repairs should be performed at least once per year. If the units are subject to high or unusual usage, inspections should be scheduled to occur more frequently. If items are found to be nonconforming, replacements can be ordered from Gared Sports or one of our authorized dealers. When contacting Gared Sports, please have information regarding the dealer/installer who sold the unit, the name of the project, and any applicable warranty information.



Gared Pro Portable Backstop

Read and understand the following warnings to prevent possible personal injury and potential damage to the equipment during assembly, setup, and operation.

⚠ DANGER

DO NOT CLIMB ON GOAL, BANKBOARD OR BACKSTOP.

THIS UNIT IS DESIGNED FOR A SPECIFIC OPERATING WEIGHT AND THE ADDED WEIGHT COULD CAUSE DAMAGE AND/OR SERIOUS INJURY TO PERSONNEL.

2036-31-00

⚠ WARNING

DO NOT REMOVE SHIPPING BRACE BEFORE INSTALLING BACKBOARD AND GOAL. REMOVING BRACE WITHOUT BACKBOARD INSTALLED COULD RESULT IN SERIOUS PERSONAL INJURY AND/OR DAMAGE TO UNIT.

126453732

⚠ WARNING

REAR ANCHOR POINT MUST BE ATTACHED TO FLOOR ANCHOR AND FRONT LEVELING PADS MUST BE ON THE FLOOR WITH ALL WEIGHT OFF THE FRONT SWIVEL CASTERS BEFORE UNIT CAN BE USED FOR PLAY.

126453733

⚠ WARNING

Discontinue Power While Lowering Unit Prior To Contact With REST. Permanent Structural Damage Could Result With Continued Power Beyond Point of Contact.

124252802

⚠ WARNING

SAFETY BOLT MUST BE INSTALLED DURING USE, AND REMOVED PRIOR TO LOWERING UNIT

124252803

⚠ WARNING

SAFETY PIN MUST BE INSTALLED DURING USE, AND REMOVED PRIOR TO LOWERING UNIT.

126453736

⚠ CAUTION

MOVING PARTS! KEEP HANDS, ARMS, BODY CLEAR DURING OPERATION

124252799

⚠ CAUTION

KEEP PERSONNEL AWAY FROM FRONT AND REAR OF UNIT WHILE RAISING OR LOWERING THE BACKBOARD

126453737

⚠ CAUTION

DO NOT STAND OR SIT ON UNIT DURING OPERATION

126453735

⚠ CAUTION

ALWAYS LOWER BACKBOARD TO FULL DOWN POSITION BEFORE ATTEMPTING TO MOVE THE UNIT.

126453740

Before proceeding with assembly, **read all instructions and assembly procedures**. Make sure all parts have been received and are not damaged.



Gared Pro Portable Backstop

Parts Checklist

Verify all parts listed on packing list are present prior to installation.

The following parts have been packed separately

Because these units can use a variety of backboards and goals, the specific part number is not referenced in the table. Please refer to your packing slip to verify the correct board and goal has been received.

Item	Part Number	Description	Qty
1	Refer to Packing List	Backboard	1
2	Refer to Packing List	Goal	1
3	9-73-FPAD	Front Base Pad	1
4	9-73-SPAD - LH	LH Base Pad	1
5	9-73-SPAD - RH	RH Base Pad	1
6	9-73-AFCP	A-Frame Pad	1
7	9-73-GPWP	Wing Pad	1
8	9-73-MPAS	Mast Pad	1
9	9-73-BPAD	Boom Pad	1
10	556453270	Backboard Brace Clamp	1
11	556453272	Backboard Brace	1
12	556453273	Backboard Brace Attachment Bracket	2
13			
14	9-73-PLTE	Floor Plate	2
15	9-73-PLNG	Plunger End	2
16		Floor Cover Caps	2
17	3005-15-05	Rear Anchor Tie Down Bolt	1
18		Keys	2
19	551754436	Instruction Manual	1
20			
21	6380-11-00	Hitch Pin Clip 1/8" Diameter	2
22	111084108	Clevis Pin 3/8" x 1-1/8"	2
23	111094109	Hitch Pin Clip 3/32" Diameter	2
24	296-6-16	#6 Wood Screw	8
25	225-4-20-12Z	1/4-20 x 3/4 Flathead Machine Screw	2
26	502-16-8-32	1-8 x 2 Hex Bolt	1
27	501-6-16-64	3/8-16 x 4 Carriage Bolt	2
28	561-16	1" Flat Washer	1
29	501-6-16-16	3/8-16 x 1 Carriage Bolt	4
30	548-6-16	3/8-16 Whiz-Lock Nut	6
31			
32			
33	See Packing List	Rear anchor Floor Insert	1
34			
35		Round Leveling pad for initial set-up only	2
36		Round centering disk for initial set-up only	1

Contact Gared Customer Service at 800-325-2682 for assistance with replacement of any parts missing or damaged.



Gared Pro Portable Backstop

INSTALLATION INSTRUCTIONS

Suggested Tools Required:

- Adjustable wrench with 1-1/8" to 1-12' capacity
- 1/2" wrench and socket
- 9/16" wrench and socket
- 3/4" wrench
- #2 Phillips screw driver
- Flat blade screw driver
- Allen wrench set
- Two plumb bobs with string
- Bubble type level
- Tape measure
- Hand drill
- Router
- Masking tape
- Pencil

See Installation Instruction for Rear Floor Insert (item 33) for additional tools.

Item numbers noted throughout these instructions refer to the parts listed in the parts check list on page 4.

Unpack all parts and check for damage or missing items.

IMPORTANT NOTE:

Before proceeding to the next step, make sure at least three individuals are available to assist with the mounting of the backboard to the unit. A minimum of two, preferably three, individuals is required for safe assembly of the backboard to the unit.

1. Attach the backboard to the front plate using 3/8"-16 x 1" (Item 13) hex bolt with 3/8" flat washer and 3/8" lock washer in the lower two holes of the mounting plate into the tapped inserts of the LXP4200 backboard. Tighten these bolts securely.
2. Using the hardware supplied with the goal, insert the two carriage bolts through the top goal mounting holes on the backboard and loosely install the nuts and washers on the back side of the board. Slide the goal over the carriage bolt heads and over the studs on the front of the board. Install the flat washer, lock washer and nuts on the studs and tighten securely. Tighten the two top carriage bolts securely.



Gared Pro Portable Backstop

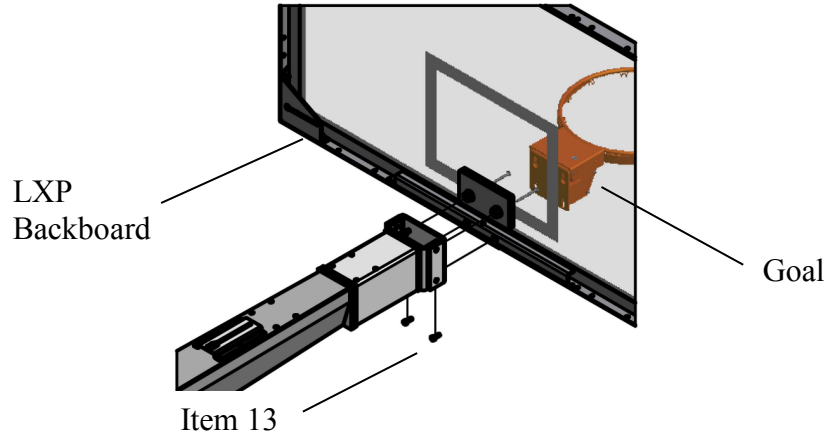


Figure 1

3. Attach the backboard brace brackets (item 12) to the top corners of the backboard as shown in figure 2. Use the 3/8-16 x 1" carriage bolts with whizlock nuts for this assembly. Leave these bolts loose for adjustment later.

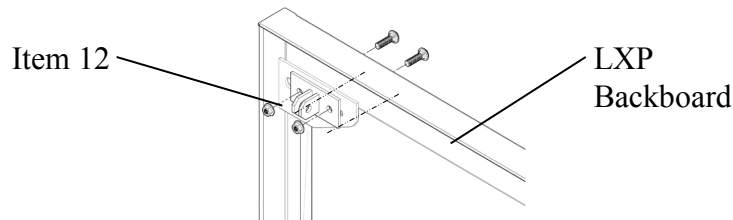


Figure 2

4. Using masking tape and pencil, Mark the location of the center of the court 4'-0" from the inside edge of the court baseline (refer to figure 3). From this center mark, establish a mark 3'-0" to the left and another mark 3'-0" to the right. These marks will be used to align the face of bank to the court.

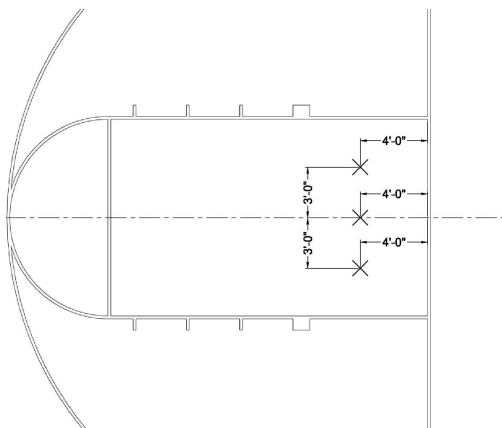


Figure 3

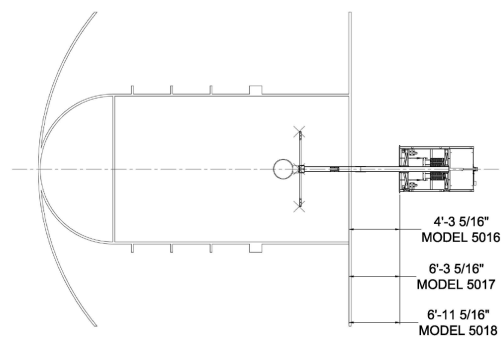


Figure 4



Gared Pro Portable Backstop

5. Push the unit to the playing location on the court. The unit should be centered on the centerline of the court as shown in figure 4.
6. From the inside edge of the court baseline to the center of the locator jack pins should be about 4'-3-5/16" for the model 5016, 6'-3 5/16" for the model 5017, and 6'-11 5/16" for the model 5018.
7. Install the round flat leveling pads (supplied for set-up only) on the toggle clamp ends. Push toggle clamps down to raise wheels off the floor. Keep even pressure on each side. Adjust until the front wheels are 1/4" off the floor. **Important Note: Only operate the toggle clamps when the unit is in the full down position. Never operate the toggle clamps when the unit is raised or in the full up position.** Connect the unit to an electrical source (floor outlet or extension cord) and turn the key to raise the boom to the 10'-0" playing position.
8. Check the 10'-0" goal height at the base of the rim. If the goal height is not 10'-0", adjust the leveling pads to obtain 10'-0" measurement, making sure each pad is raised or lowered evenly. **Note: Always lower the unit to the full down position to adjust the leveling pads.**
9. Once the 10' playing height has been set, the backboard should be checked and adjusted for plumb and level.
10. To level the backboard in the horizontal plane, loosen the four 1/2" bolts and the one 3/4" bolt in the center of the Quick Change Bracket attached to the boom. Refer to figure 5. Level the board and tighten all bolts securely.

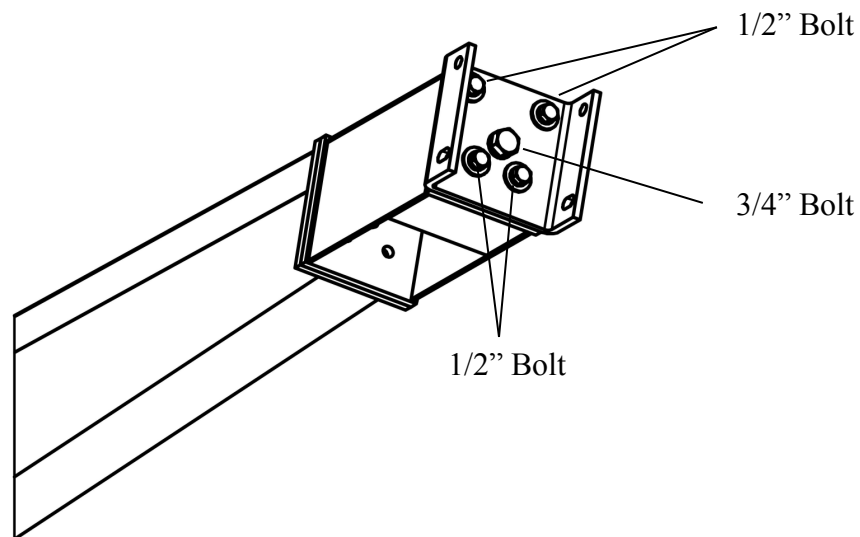


Figure 5

11. To level the backboard in the vertical plane, loosen the two carriage bolts at the board brace clamp on top of the boom. Refer to Figure 6. Using a 3/4" wrench, adjust the leveling bolt in the board mounting bracket until the backboard is plumb. Tighten the locking nuts on the leveling bolt.
12. Recheck Level and Plumb.



Gared Pro Portable Backstop

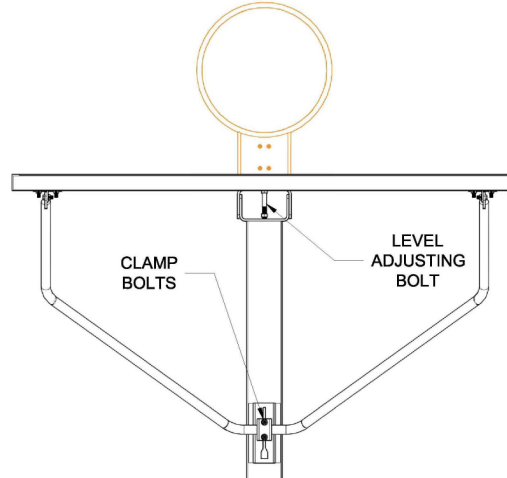


Figure 6

13. The Gared Pro was pre-set prior to delivery. However, some minor adjustments may be necessary. Minor adjustments to the playing height may be made with the forward toggle clamp screws. For larger adjustments, follow the following procedure:
 1. Remove all tension from the “A” frame support.
 2. Raise or lower the goal by adjusting the lower end of the back channel (Note: make sure the safety bolt has been removed from the back channel for these adjustments) until the 10’ playing height is achieved.
 3. Re-tighten the “A” frame until tension is applied.
 4. Retighten all lock nuts securely.



14. Attach plumb bobs to the front corners of the backboard. Plumb bobs should hang down from the corners to where they are almost touching the floor.
15. Check plumb bobs with marks that were located in step 12. If the plumb bobs do not line up exactly with the marks on the floor, adjust the location of the unit accordingly.
16. Once the unit is relocated and the plumb bobs are exactly on the marks located in step 12, recheck all dimensions to make sure the 10’-0” playing height is correct and the face of the backboard is 4’-0” in front of the court baseline.
17. Trace a circle around the leveling pads on the floor. After unit is lowered and moved, find the center of these circles on the floor using the round centering disk supplied and mark this location on the floor.



Gared Pro Portable Backstop

18. Locate the center of the rear anchor on the floor and mark this location on the floor.
19. Lower the unit and move it out of position to make room for installing the floor plates and rear anchor into the floor.
20. Center punch the exact center of all three locations marked on the floor in the previous steps. Drill a 1/16" diameter hole 1" deep at each center punch mark.
21. Use a compass to mark a 5.00" diameter circle on the floor. Using a router, remove the material inside this circle to a depth of 1/4". Once the material has been removed from the entire circle, use the compass to mark a 3.375" diameter circle on the remaining portion of the routed hole. Using the router, remove the material inside this circle to a depth of 15/32" (0.468"). This will be 25/32" (0.78125") below the finished floor surface.



22. Repeat this step for the other front cover plate.
23. Refer to the installation instructions for the rear floor anchor found in the package of the floor insert and install the insert into the floor. This insert is to be installed at the rear anchor location marked on the floor in step 16.
24. Drill a clearance hole for the rear anchor shank and rout the plate to the correct depth and diameter.
25. Secure the floor plates and rear anchor plate with the wood screws provided.
26. Finished assembly of plates and rear anchor should look like the following photos.



27. Attach the Backboard brace yoke (item 11) to the brackets installed in step 3 using the Clevis Pins (item 22) and Retainer Clips (item 23) as shown in figure 7.



Gared Pro Portable Backstop

28. Position the backboard brace clamp (item 10) over the yoke and yoke attachment plate on the boom as shown in figure 7. Secure the clamp with two 3/8-16 x 2-1/4" carriage bolts and whizlock nuts. Tighten these bolts securely
29. Tighten the bolts on the yoke brackets on the backboard (installed in step 3) securely.

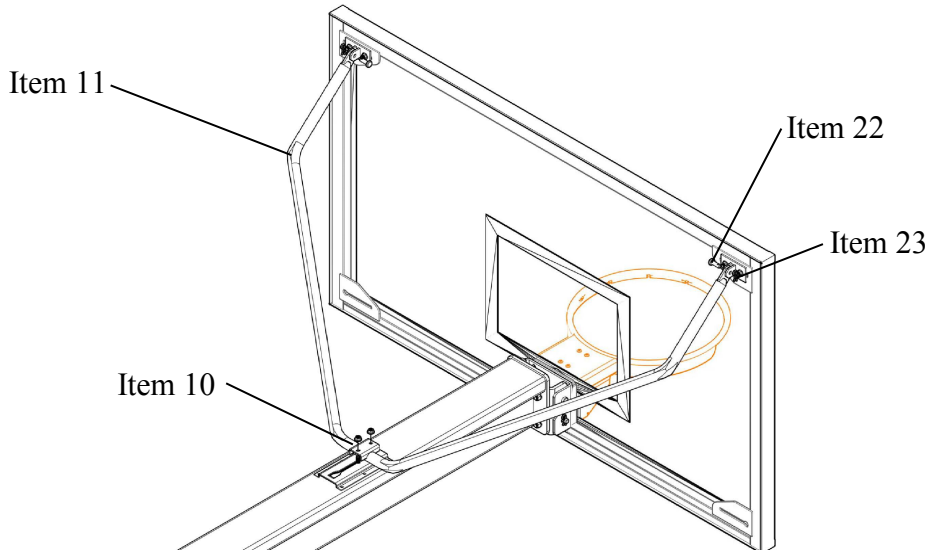


Figure 7

30. Replace the flat leveling pads with the plunger ends on both toggle clamps. Move unit back into playing position. Lower the toggle clamps to engage the floor plates. Install the rear anchor bolt into the floor anchor at the rear of the unit.
31. Move the unit back into position. Lower the toggle locks to engage the floor plates and fully snap the locks into position. Install the rear anchor into the floor anchor plate and tighten.
32. Raise the unit to the playing position.
33. Check for proper alignment and for correct 10' playing height of the rim.
34. Attach the backboard padding to the backboard. Attach the horizontal boom pad to the boom just behind the backboard.
35. Raise the unit to the playing position and insert the safety bolt into the rear channel.

Install the unit Pads

36. Install the front lower pad using the Velcro strip on the top rail of the front of the unit. Make sure the pad is even on each side of the unit.
37. Hang the lower side pads on the top rail of the unit with the pad clips. **Note: The side pads can be slid backward to allow access to the toggle clamps.**
38. Install the front A-Frame pad using (3) 1/4-20 x 1" studs and 1/4" nuts.



Gared Pro Portable Backstop

39. Attach the side upper wing pad to the buckle on the lower side pad with the Velcro strap. Position the pad to line up with the front A-Frame pad. **Note: Pads must be detached from the unit before lowering the unit. The pad folds down on the side and hang from the middle side pad.**
40. Install the Mast pad to the front Mast using the Velcro straps. **Note: this pad must be removed before lowering the unit.**

The Unit is now ready for competition.



Gared Pro Portable Backstop

Operation

Before operating the unit, read all caution, warning, and information labels.

Warning:

Always make sure area around the unit is clear of all personnel before raising or lowering the unit.

To raise the unit from the stored position.

1. Remove floor cover caps from floor plates.
2. Slide the side pads back to expose the toggle clamps.
3. Roll the unit into the playing position. Make sure the plunger on the end of the toggle clamps aligns with the floor plate.
4. Lower the toggle clamps into the floor plates making sure the clamps are secure and the wheels are off the floor.
5. Slide the side pads forward to align with the front pads.
6. Install the rear tie down bolt.
7. Connect the unit to the power source.
8. Turn the key to the “UP” position and hold until the unit is raised to the full up position. Release the key as soon as the unit reaches the full up position.
9. Install the safety bolt in the back channel.
10. Install the mast pad.
11. Install the wing pads on each side of the unit making sure they are aligned with the front A-Frame pad.

To lower the unit from the playing position.

1. Remove the safety bolt in the back channel.
2. Remove the mast pad.
3. Lower the wing pads on each side of the unit.
4. Make sure the unit is connected to the power source.
5. Turn the key to the “DOWN” position and hold until the unit is fully lowered. Release the key as soon as the unit comes to rest in the full down position.
6. Remove the rear tie down bolt.
7. Slide the side pads back to expose the toggle clamps.
8. Raise the toggle clamps on each side of the unit. Make sure the clamps are fully raised and the unit is on the wheels.
9. Move the unit from its position.
10. After the unit is moved, install the floor cover caps into the floor plates using the 1/4-20 x 3/4” long flat head machine screw.



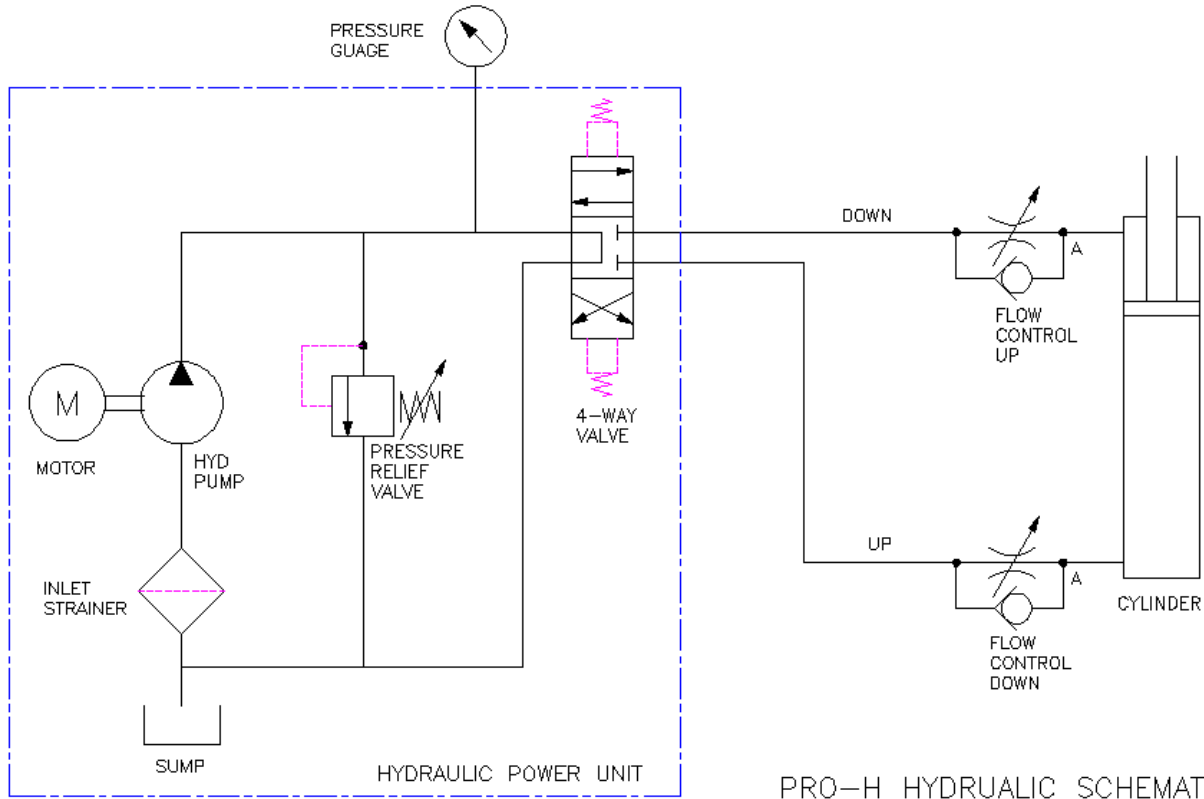
Gared Pro Portable Backstop

Maintenance

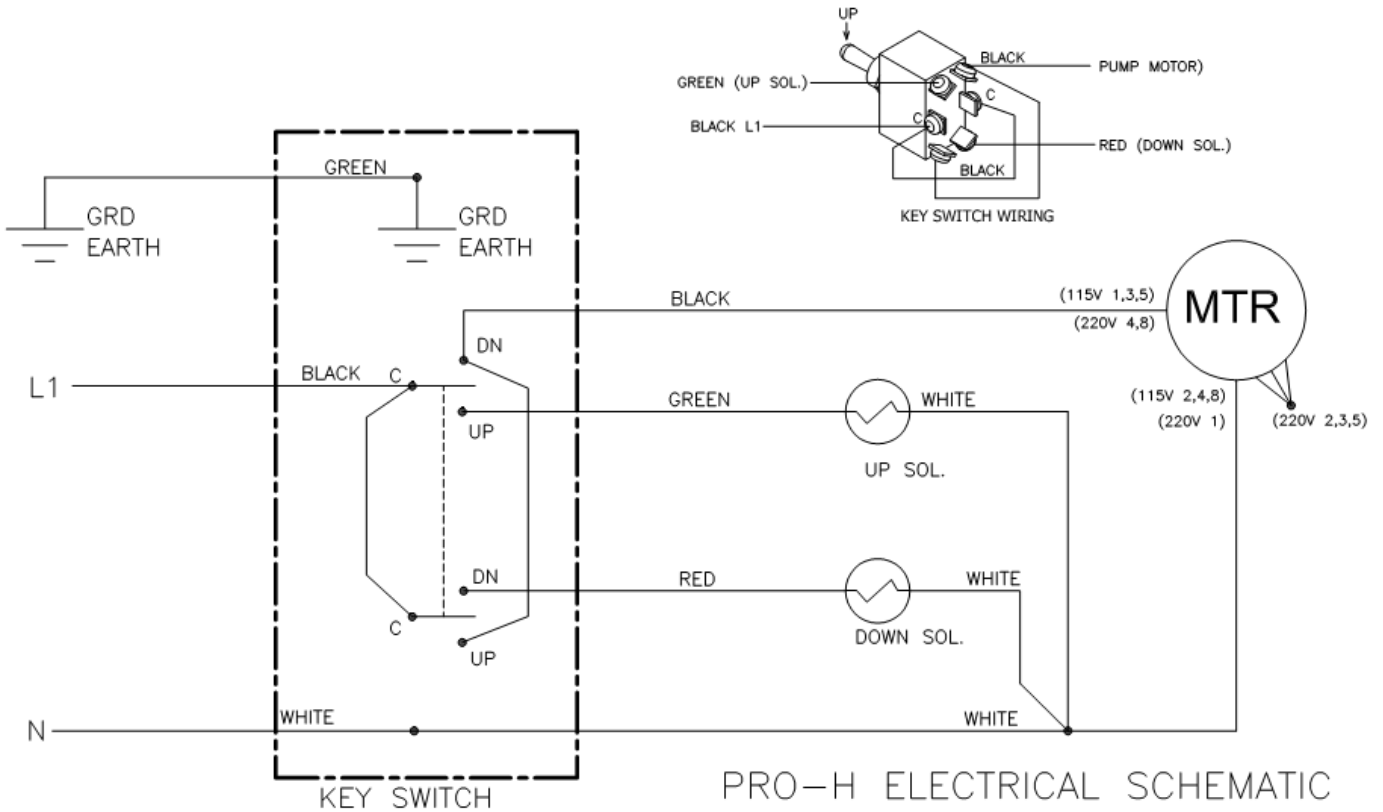
1. General inspection of equipment when used should be performed to ensure no catastrophic failures have occurred during the course of use between yearly inspections.
2. It is recommended that yearly inspections be conducted to determine if any bolts or other hardware has become worn or loosened.
3. During yearly inspections, check all joints to make sure they are tight and secure. Check all hydraulic hoses and connections for leaks.
4. Check the board and goal mounting bolts to make sure they are tight. Check the net for wear.
5. Any loose bolts or nuts should be tightened.
6. Replace any components that are missing or worn.



Gared Pro Portable Backstop



PRO-H HYDRUALIC SCHEMATIC



PRO-H ELECTRICAL SCHEMATIC



Gared Sports
707 North 2nd Street
St. Louis, MO 63102

Gared Sports
9200 E. 146th Street
Noblesville, IN 46060

800-325-2682
www.garedsports.com