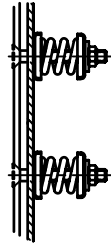
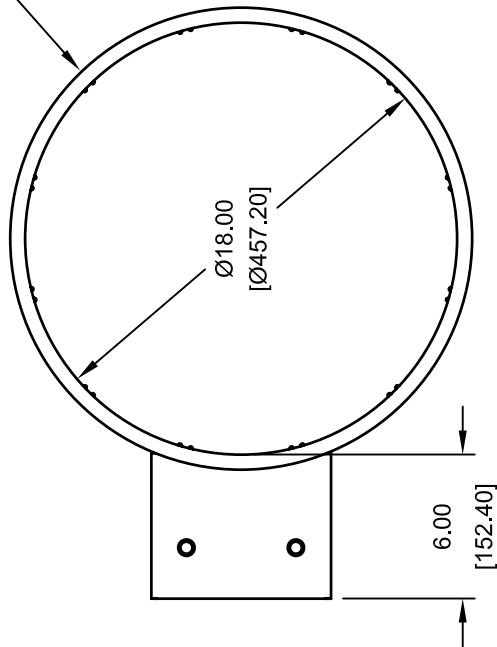


POSITIVE LOCK DETENT MECHANISM



DUAL RETURN SPRINGS

Ø0.62 [15.88] STEEL ROD

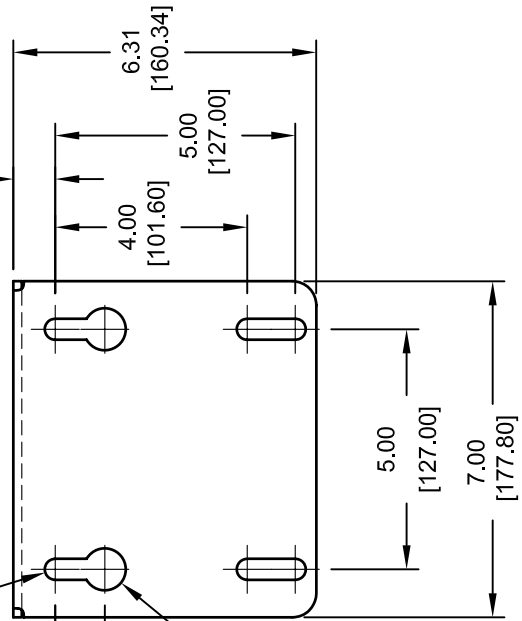


R0.22 [R5.56] TYP.

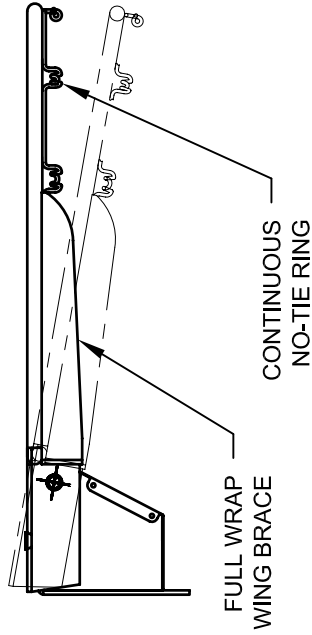
1.31 [33.34]

0.88 [22.23]

(TOP OF RIM)



MOUNTING PLATE VIEW
SCALE 2:1



NOTE:
OFFICIAL ORANGE POWDER COAT FINISH.
GOAL IS SUPPLIED WITH ANTI-WHIP NYLON NET
AND MOUNTING HARDWARE.

REVISION		
REV.	DATE	BY
A	12/03/03	JJC
B	12/20/06	WAE
C	04/21/08	RWP




Gared Holdings, LLC
9200 E. 146th St. Noblesville, IN 46060

THIS DOCUMENT CONTAINS TRADE SECRET AND OTHER MATERIALS WHICH ARE PROTECTED BY CONFIDENTIALITY NOTICE AND AGREEMENT AND BY COPYRIGHT. ANY USE OR COPYING OF THIS DOCUMENT EXCEPT AS AUTHORIZED BY GARED HOLDINGS, LLC IS STRICTLY PROHIBITED.

3000 BREAKAWAY GOAL

DRAWN	CONNERLEY	DATE	05/08/03	MATERIAL	N/A
APPROVED	JJC	DATE	05/08/03	FINISH	AS NOTED
FILE LOC. Q:\Final Release\Specifications				DWG. NO.	3000
SIZE	SCALE	SHT. NO.	PART NO.	REV	
A	NONE	1 OF 1	3000	C	



MODEL 3000

POSITIVE LOCK BREAK-AWAY GOAL

Goal shall be constructed with an enclosed positive lock mechanism that is designed with heat-treated hardened springs to return goal to playing position. The positive lock mechanism shall be tested up to 31,000 cycles with no deformation at loads up to 1400 lbs. Goal shall have an official sized 18" ring of 5/8" diameter steel and shall be supported by a continuous welded wraparound brace. Goal shall meet NCAA and high school requirements.

Goal shall have a continuous no tie ring and orange powder coated finish. Anti-whip net and hardware shall be included. Universal goal mounting plate will fit hole patterns for most 42" and 48" rectangular backboards and most fan-shaped backboards.

ACCESSORIES

BACKBOARDS

Compatible backboards are models LXP4200, AFRG42, RG, AFRG48, FSGII, 1301B, 1342B, 1370B, 1401B, 1442B, 3010RG, 3011RG, ARG, 3050RG, BB48A38, BB60A38, BB60G38, BB72A38, BB72G50, and GP72422. See backboard section in specification manual.