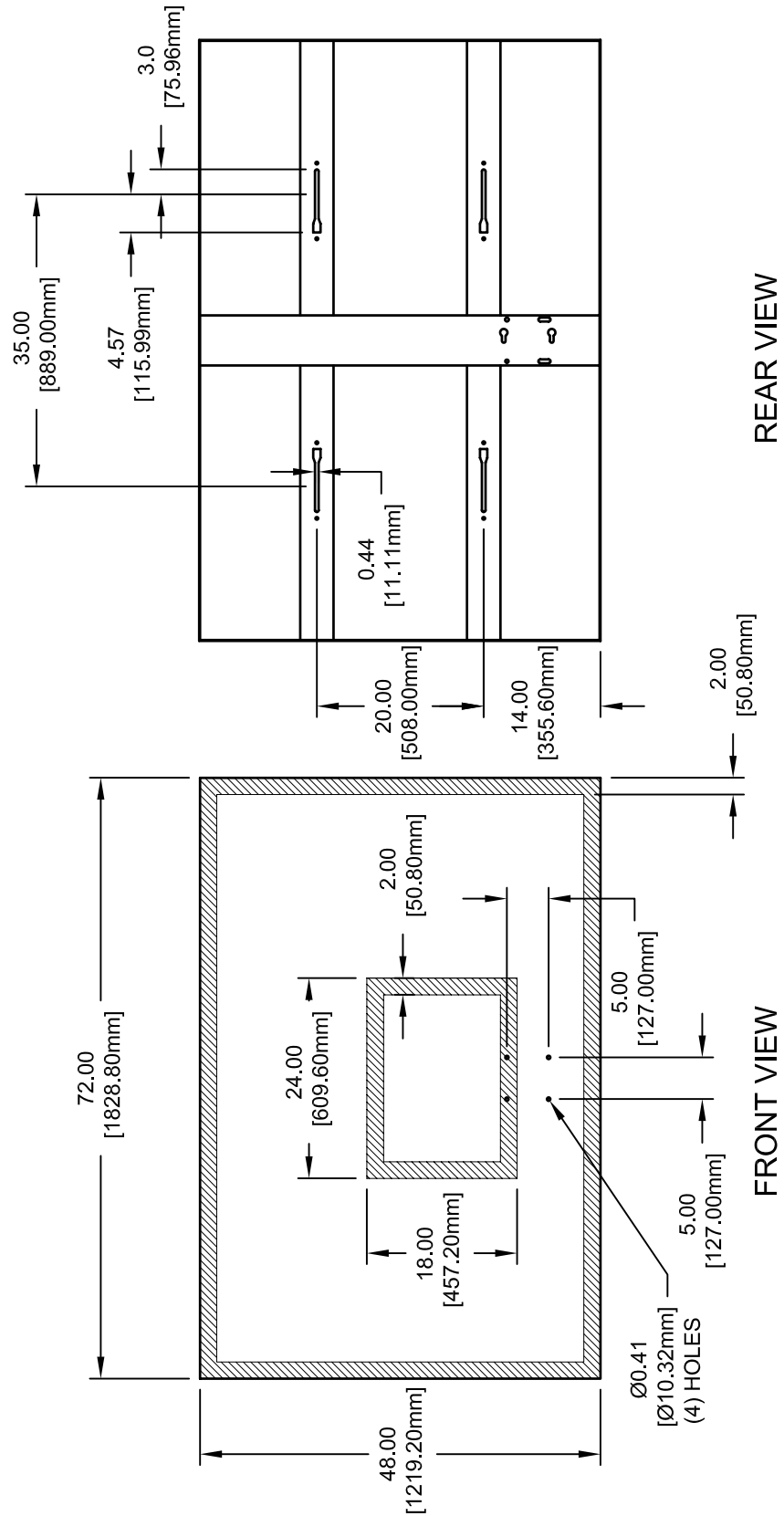


12 GA STEEL STAMPED SHELL WITH 12 GA. FORMED MOUNTING AND STIFFENING CHANNELS WELDED TO REVERSE SIDE.

BOARD THICKNESS IS 1 1/2".

MOUNTING HOLES FOR 3/8" DIAMETER GOAL AND BOARD MOUNTING HARDWARE.

BOARD IS POWDER COATED GLOSS WHITE WITH ORANGE TARGET AND BORDER.



| REVISION |          |     |
|----------|----------|-----|
| REV.     | DATE     | BY  |
| A        | 12/01/03 | JJC |
| B        | 12/15/06 | WAE |
| C        | 06/05/08 | RWP |
|          |          |     |
|          |          |     |
|          |          |     |
|          |          |     |




**Gared Holdings, LLC**  
9200 E. 146th St. Noblesville, IN 46060

THIS DOCUMENT CONTAINS TRADE SECRET AND OTHER MATERIALS WHICH ARE PROTECTED BY CONFIDENTIALITY NOTICE AND AGREEMENT AND BY COPYRIGHT. ANY USE OR COPYING OF THIS DOCUMENT EXCEPT AS AUTHORIZED BY GARED HOLDINGS, LLC IS STRICTLY PROHIBITED.

**48" X 72" RECTANGULAR STEEL BACKBOARD**

|           |                                 |          |          |          |          |
|-----------|---------------------------------|----------|----------|----------|----------|
| DRAWN     | CONNERLEY                       | DATE     | 05/05/03 | MATERIAL | AS NOTED |
| APPROVED  | JJC                             | DATE     | 05/05/03 | FINISH   | AS NOTED |
| FILE LOC. | Q:\Final Release\Specifications |          |          | DWG. NO. | 1270B    |
| SIZE      | SCALE                           | SHT. NO. | PART NO. | REV      |          |
| A         | NOTED                           | 1 OF 1   | 1270B    | C        |          |



## **MODEL 1270B**

### **72" X 48" RECTANGULAR STEEL BACKBOARD WITH BORDER AND TARGET**

The 1270B backboard shall be formed from a single piece of heavy gauge steel and reinforced with a heavy 10-gauge vertical center channel and heavy gauge horizontal channels. All reinforcing sections shall be welded to the shell to make a single vibration free unit. Manufacturer of backboard shall have over ten years experience producing such item.

Key-slots in the horizontal channels shall be spaced at 20" vertical and 35" horizontal. Backboard shall be phosphate pre-treated and shall have a durable white powder coat finish to protect against weathering. Orange border and target shall be silk-screened on face of backboard for permanent markings. Goal mounting holes shall be on 5" horizontal and 5" vertical centers.

#### **ACCESSORIES**

#### **GOALS**

Compatible goals are models 726, 5500, 7550, 7555, 140, 240, 39WO, 3942, and 4039. See goal section in specification manual.

Subject to design change and current manufacturing practices.  
Revised April 4, 2008 ©2008 Gared Holdings, LLC