

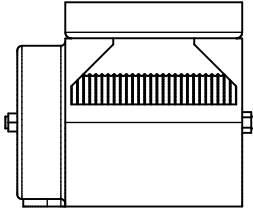
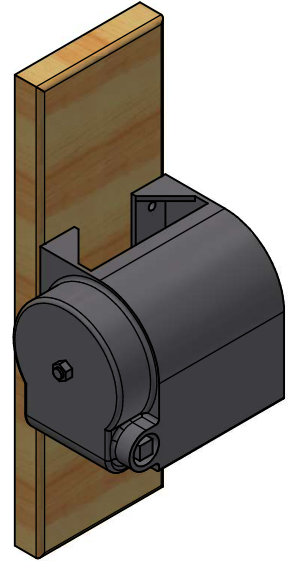
WINCH IS RATED FOR 1000 LBS [453.6 KG] CAPACITY

WINCH CRANK INCLUDED

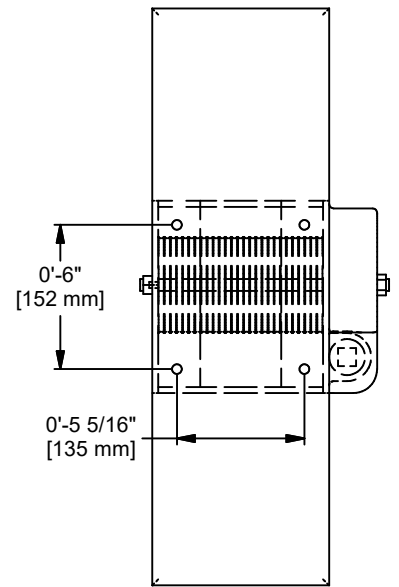
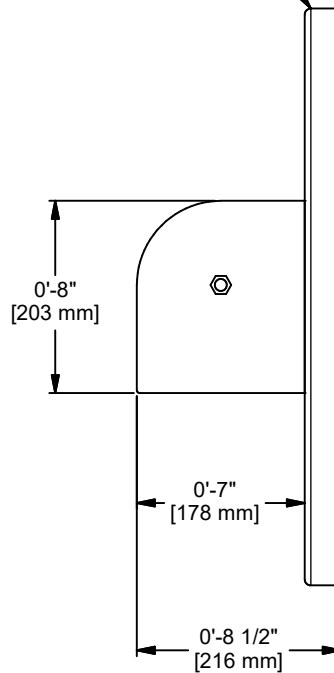
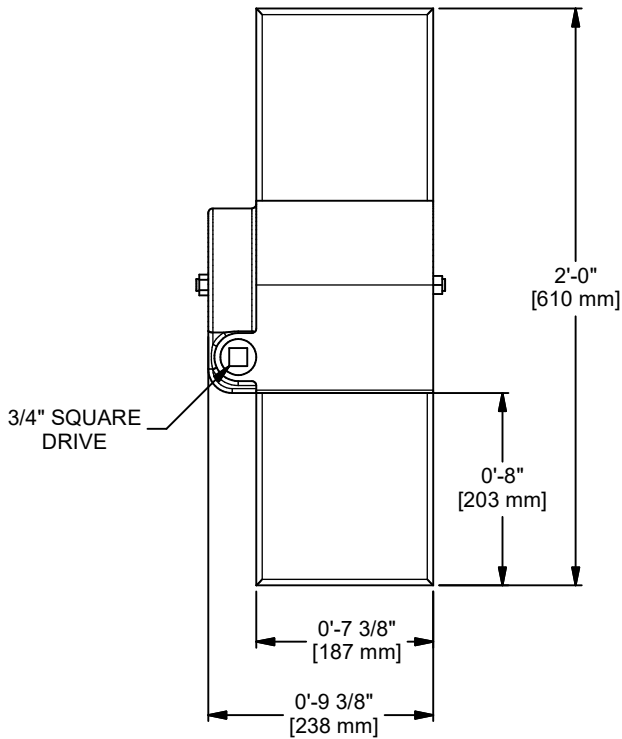
1/4" DIA. AIRCRAFT CABLE SUPPLIED SEPARATELY

HARDWARE FOR MOUNTING WINCH TO WOOD PAD INCLUDED

HARDWARE FOR MOUNTING WOOD PAD TO WALL NOT INCLUDED



WOOD PAD FOR MOUNTING WINCH INCLUDED



THIS DOCUMENT CONTAINS TRADE SECRET AND OTHER MATERIALS WHICH ARE PROTECTED BY CONFIDENTIALITY NOTICE AND AGREEMENT AND BY COPYRIGHT. ANY USE OR COPYING OF THIS DOCUMENT EXCEPT AS AUTHORIZED BY GARED PERFORMANCE SPORTS SYSTEMS IS STRICTLY PROHIBITED.

1123 MANUAL WINCH

DRAWN CONNERLEY	DATE 11/24/2010	DATE ISSUED 11/24/2010
APPROVED CONNERLEY	DATE 11/24/2010	

SIZE A	SCALE NONE	SHT. NO. 1 OF 2	PART NO. 1123-R000	REV B
------------------	---------------	--------------------	------------------------------	-----------------



Gared Performance Sports Systems
9200 East 146th Street, Suite A
Noblesville, IN 46060

B	ERD	08-04-23
A	JJC	11/22/17
REV	BY	DATE



**PERFORMANCE
SPORTS SYSTEMS**

MODEL 1123

MANUAL WINCH

This winch is engineered, designed and built with a precision interlocking steel frame for high rigidity and precise alignment. Winch comes with a semi-enclosed, self-lubricating worm gear with a load rating of 1000 lbs. Grooved drum for accurate winding, with a constant pressure roller, prevents the cable from climbing drum ends. Supported by large diameter ball bearings and with through the drum type rope anchoring. Braking is provided by double, self-locking worm gearing with a passive uni-directional brake.

Winch is supplied with cover and is directly mounted to the wall. Each winch shall be equipped with a removable handle with a free turning sleeve that provides an easy, no friction grip.

Wood pad for mounting winch to walls is included.

PORTABLE ELECTRIC WINCH WINDER

Compatible portable electric winch winder is Performance Sports Systems model 1119. See accessories section in Performance Sports Systems specification manual for more information.

Subject to design change and current manufacturing practices.