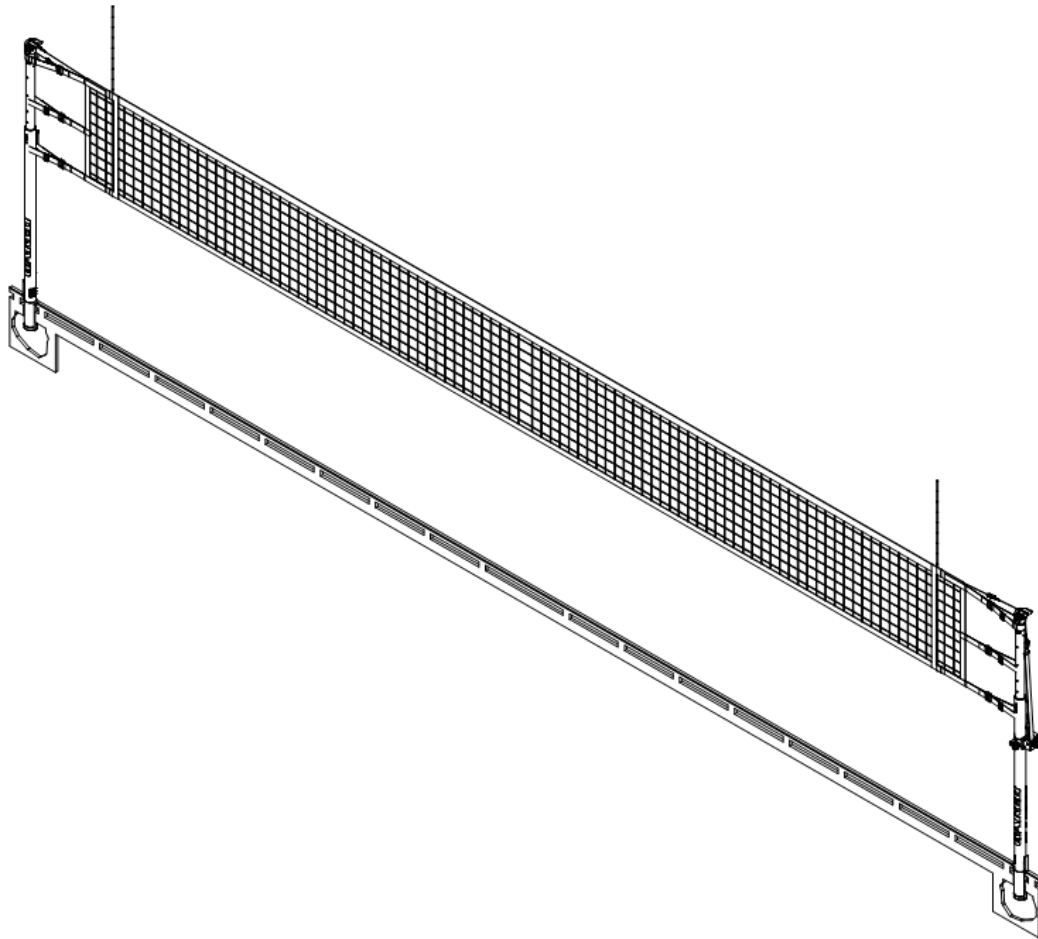




Model: 6100 series
Scholastic Telescopic Volleyball System



Installation, Operation, and Maintenance Instructions

.....
Please read all instructions before attempting installation or operation of these units
.....

SAVE THESE INSTRUCTIONS FOR FUTURE USE



Table of Contents

<u>Section</u>	<u>Page No.</u>
Introduction	2
Parts List by Sub-Assembly	2-3
Specifications	4-5
Floor Sleeve Installation	6-8
Floor Cover Installation	9
Post Installation Instructions	10
Net Installation Instructions	11-14
System Removal Instructions	15
Troubleshooting	16-17
Maintenance Check Sheet	18



6100 Scholastic Telescopic Volleyball System



Introduction

Thank you for your purchase of a model 6100 Scholastic Telescopic Volleyball System. To ensure that our equipment will provide years of use to you, we are including this installation, operation, and maintenance guide. This guide will provide information on the proper assembly and installation methods, operating procedures, and preventative maintenance of your portable backstop.

Please note that a Bill of Materials is being included with this guide. Please check that all of the parts called out on the Bill of Materials are present prior to beginning assembly and setup. Please do not substitute for factory parts. Please contact the PSS or Gared Sports customer service department and allow them to determine if substitute parts are acceptable.

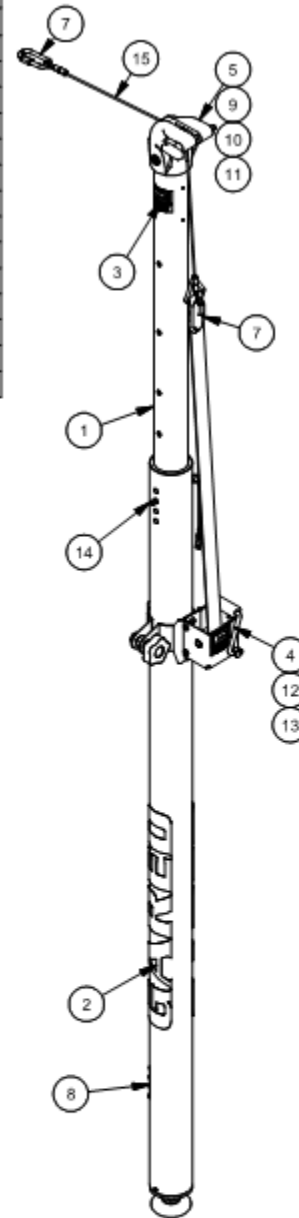
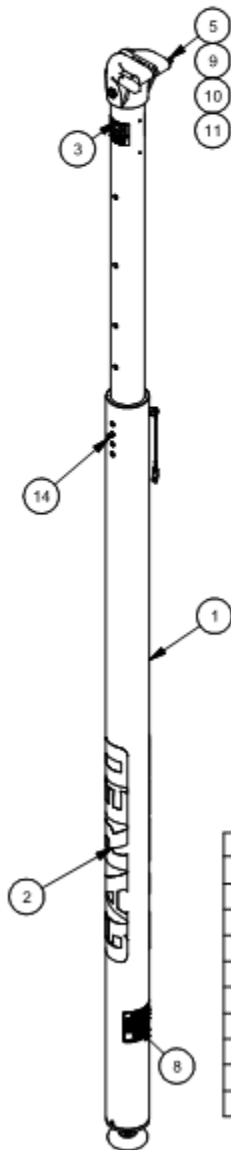
It is recommended that an individual who has been properly trained perform assembly and set up of the volleyball equipment. No one under the age of 18 should attempt assembly or set up of the unit, unless properly supervised.

To prevent normal wear and tear from shortening the life of the unit, preventative maintenance inspections and repairs should be performed at least once per year. If the units are subject to high or unusual usage, inspections should be scheduled to occur more frequently. If items are found to be nonconforming, replacements can be ordered from one of our authorized dealers. When contacting your dealer, please have information regarding the name of the project and any applicable warranty information.

6100 SERIES PARTS LIST			MODEL			
			6100	6105	6102	6103
ITEM	PART NUMBER	DESCRIPTION	1 CT	1 CT	2 CT	2 CT
1	6106	WINCH POST, 6100	1	1	2	2
2	6107	END POST, 6100	1	1	1	1
3	6400	FLOOR SLEEVE, 3.5" INSIDE DIA.	2	-	3	-
4	6430	6" BRASS FLOOR COVER - LOW PROFILE	2	-	3	-
5	6010	UPRIGHT PAD - CUSTOM COLOR	2	2	2	2
6	6020	CTR UPRIGHT PAD - CUSTOM COLOR	-	-	1	1
7	601652115	COLLEGIATE VOLLEYBALL NET	1	1	2	2
8	1028-22-00	NET ANTENNA	2	2	4	4
9	7607-22-00	NET SIDELINE MARKER	2	2	4	4
10	6251	BUCKLE COVERS SET OF (6)	1	1	2	2
11	7608	NET HEIGHT CHECKER	1	1	1	1
12	1282-30-00	5/16" UNIVERSAL SNAP LINK	-	-	1	1
13	601751790	MANUAL, 6100 VOLLEYBALL SYSTEM	1	1	1	1

Posts are shipped fully assembled. Verify all parts listed on packing list are present prior to installation.

6106 WINCH POST			
ITEM	QTY	PART NUMBER	DESCRIPTION
1	1	604651154	POST ASSEMBLY, TELESCOPING
2	2	121974127	DECAL, GARED TALL BLACK
3	2	121974129	DECAL, "G" 6100 & 7300 POST
4	1	604651265	ASSEMBLY, WINCH BRACKET
5	1	601651805	VOLLEYBALL TOP, CABLE
7	2	1113-30-00	5/16" QUICK LINK
8	1	2044-31-00	DECAL, ATTN CONSUMER
9	1	101651239	QUICK RELEASE PIN
10	1	111653553	1/2-13, BUTTON HEAD HEX DRIVE SCREW
11	1	111653552	SHOULDER BOLT, 2.5" X 1/2" SHOULDER
12	1	604506673	WORM GEAR WINCH ASSEMBLY
13	1	601651251	WINCH CLAMP WELDMENT
14	1	101651238	PIN
15	1	601652760	CABLE, 32'



6107 END POST			
ITEM	QTY	PART NUMBER	DESCRIPTION
1	1	604651154	POST ASSEMBLY, TELESCOPING
2	2	121974127	DECAL, GARED TALL BLACK
3	2	121974129	DECAL, "G" 6100 & 7300 POST
5	1	601651805	VOLLEYBALL TOP, CABLE
8	1	2044-31-00	DECAL, ATTN CONSUMER
9	1	101651239	QUICK RELEASE PIN
10	1	111653553	1/2-13, BUTTON HEAD HEX DRIVE SCREW
11	1	111653552	SHOULDER BOLT, 2.5" X 1/2" SHOULDER
14	1	101651238	PIN

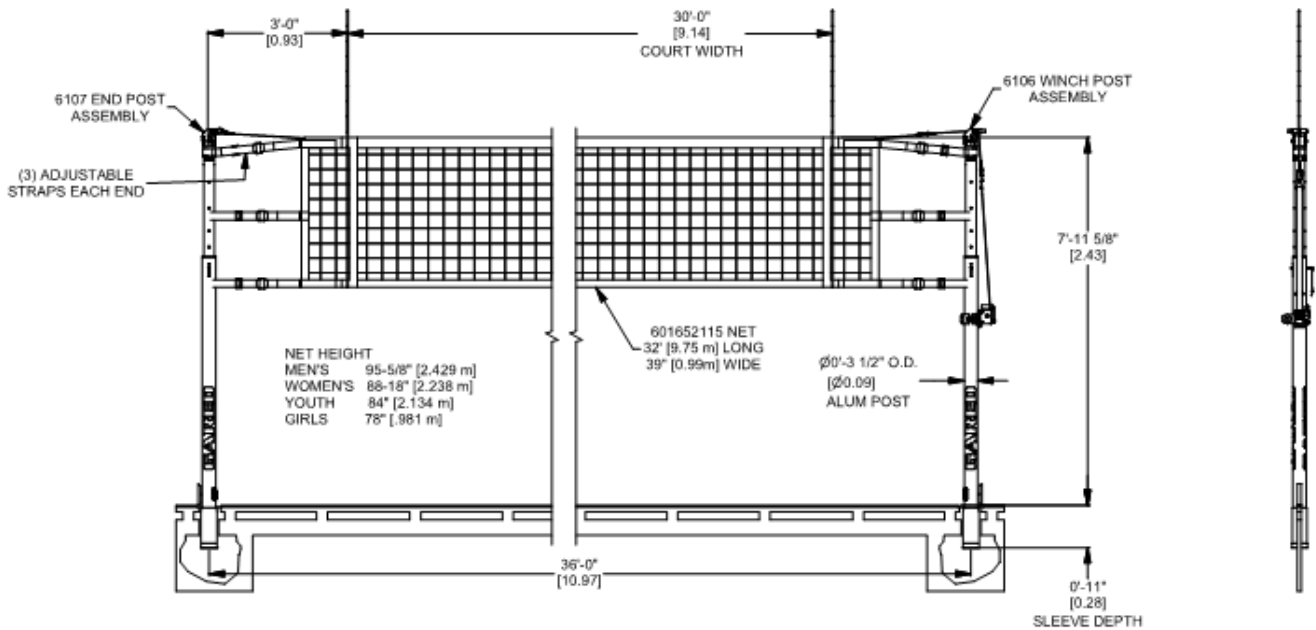
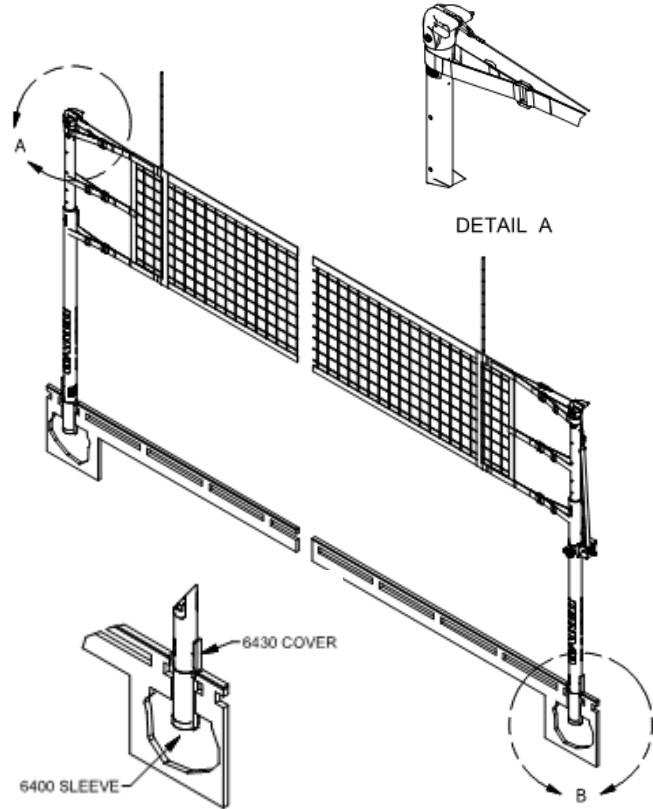
MODEL 6100 SCHOLASTIC TELESCOPIC VB SYSTEM
 MODEL 6105 SCHOLASTIC TELESCOPIC VB SYSTEM less SLEEVES AND COVERS

**With Sleeves
and Covers**

- 6100-BEIGE
- 6100-BLACK
- 6100-FOREST
- 6100-GRAY
- 6100-KELLY
- 6100-MARINE
- 6100-MAROON
- 6100-NAVY
- 6100-ORANGE
- 6100-PURPLE
- 6100-RED
- 6100-ROYAL
- 6100-WHITE
- 6100-YELLOW

**Without sleeves
and Covers**

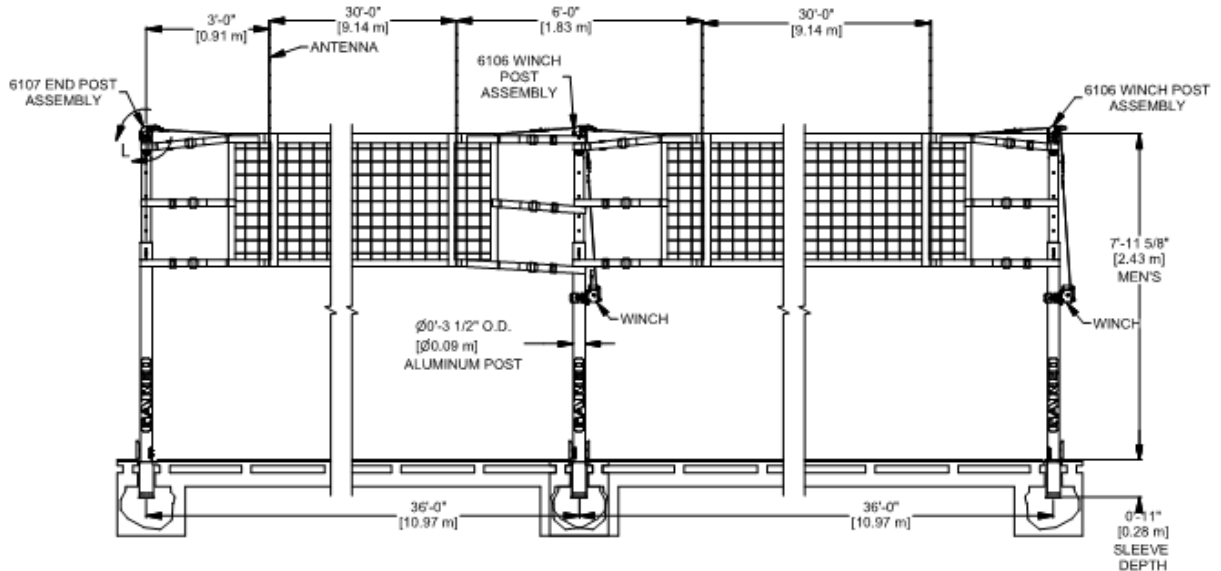
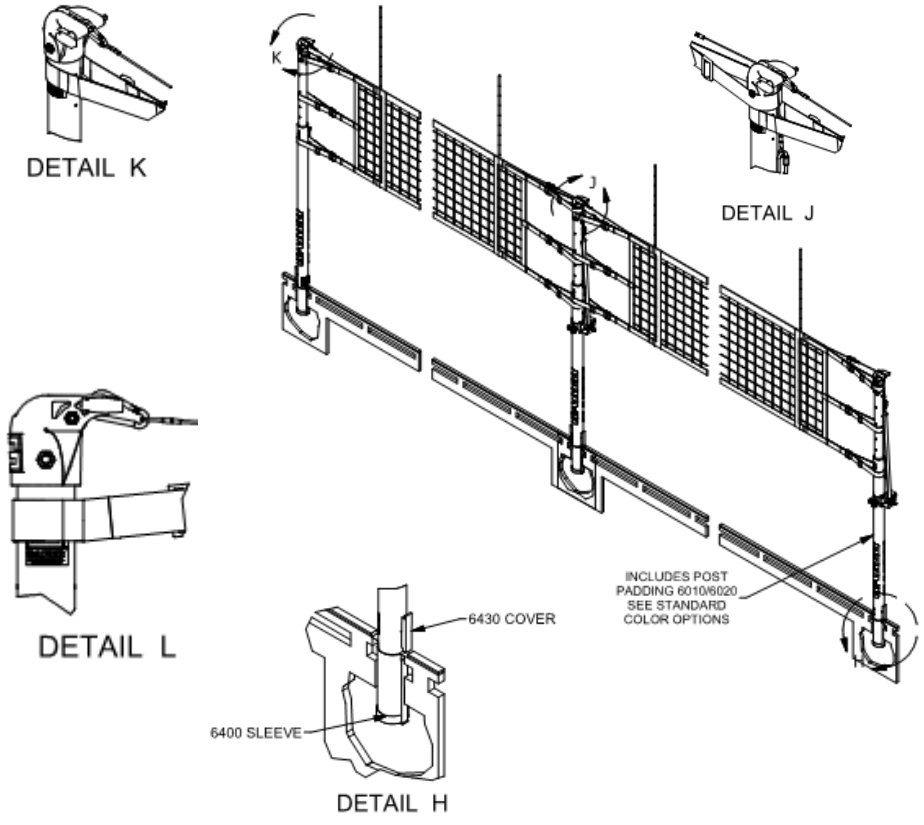
- 6105-BEIGE
- 6105-BLACK
- 6105-FOREST
- 6105-GRAY
- 6105-KELLY
- 6105-MARINE
- 6105-MAROON
- 6105-NAVY
- 6105-ORANGE
- 6105-PURPLE
- 6105-RED
- 6105-ROYAL
- 6105-WHITE
- 6105-YELLOW



MODEL 6102 SCHOLASTIC TELESCOPIC TWO COURT VB SYS
 MODEL 6103 SCHOLASTIC TELESCOPIC TWO COURT VB SYS less SLEEVES AND COVERS

Pad Colors

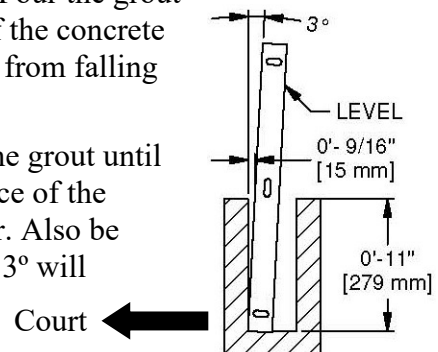
- BEIGE
- BLACK
- FOREST
- GRAY
- KELLY
- MARINE
- MAROON
- NAVY
- ORANGE
- PURPLE
- RED
- ROYAL
- WHITE
- YELLOW



Floor Sleeve Installation

1. Mark (2) points on the floor exactly 36 feet apart (refer to most recent set of architectural prints for exact locations within the gym). These represent the CENTERS of each sleeve installation. If sleeves are to be more or less than 36 feet apart, contact a PSS or Gared representative for information regarding this alteration.
2. Cut (2) round holes through the playing surface 4-3/4" to 5" diameter centered on the spots marked in step one. (See page 7)
3. After cutting out the circle in the surface flooring, cut a similar hole in the concrete slab below. The diameter of this hole should be about 5"; however, the size is not critical. The hole must be large enough to accommodate the sleeve at 3 degrees off vertical.
4. Cut or drill the hole completely through the concrete slab. Under the slab, hollow out (by hand) an area about 16-20" deep from the playing surface. (Refer to page 5)
5. Depending on the type of floor, and the supports present under the wood floor, cutting the hole for the sleeve could create a "dead spot" on the floor. This is when a ball does not bounce as high at the install point as it did prior to cutting the hole. If there is concern of this happening additional blocking can be added to alleviate the dead spot.
 - a. Cut (6) blocks of wood 1" to 3" wide, 4" long and thick enough to be able to slide between the cement and the subfloor without pushing the flooring up.
 - b. Make sure cement surface under the subfloor and the bottom of the blocks are clean and dry.
 - c. Apply a small amount of appropriate adhesive to the concrete side of the wood block. **ONLY APPLY ADHESIVE TO CONCRETE SIDE OF BLOCK.**
 - d. Slide blocks under subfloor with adhesive side toward cement as shown on page 7 and 8.
 - e. Bounce a basketball near the hole to make sure there is no dead spot remaining.
6. A "non-shrink" grout should be used to anchor the sleeve. Pour the grout mixture into the hole until it is just below the BOTTOM of the concrete hole. Cover the sleeve during installation to prevent debris from falling in or grout from entering the bottom of sleeve.
7. Insert the 3-3/4" O.D. steel sleeve and work it down into the grout until the inside bottom of the sleeve is 11" below the TOP surface of the floor. Incorrect sleeve depth will result in a net height error. Also be aware that the sleeve must tilt 3° away from the court. The 3° will correct when the net is installed and tightened.

Note: 3° is approximately 9/16" in 11".
8. Wait a minimum of (7) days to allow the grout to cure before setting up the posts.



9. **Note: A skilled woodworker will be needed for the following operation!**

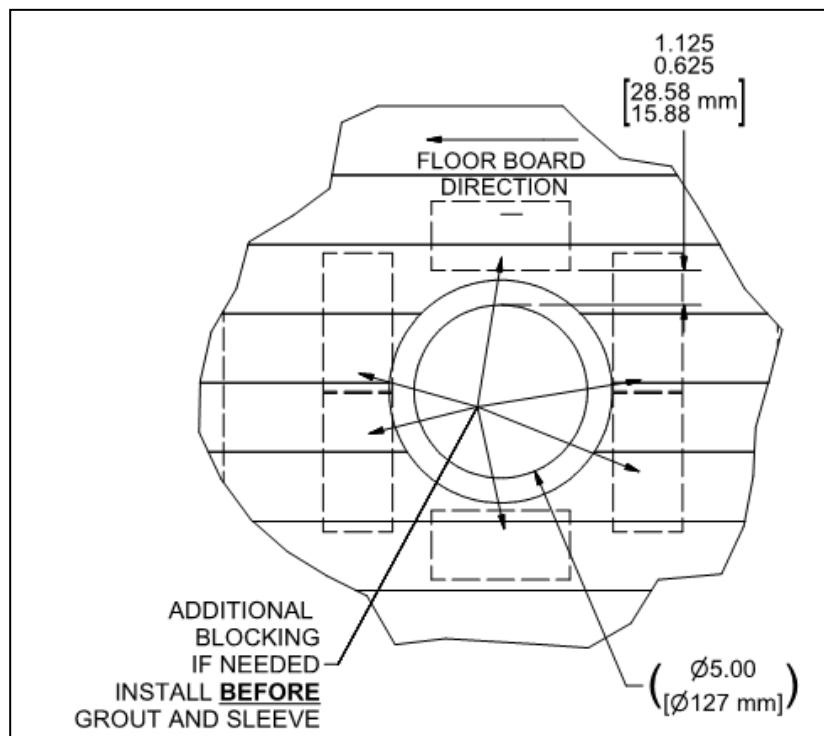
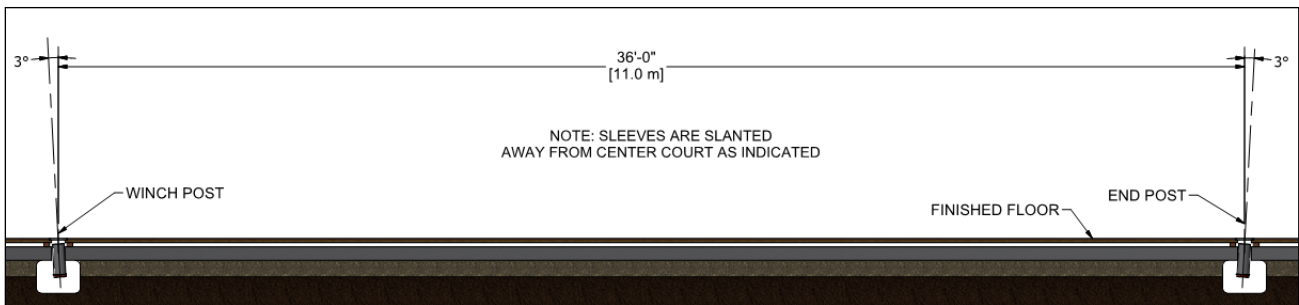
Using a router and template, make a counterbore 6-7/16" diameter by 9/16" deep centered over the original 5" hole in the floor, to receive the brass floor cover. A template can be made from a piece of Masonite or thick plastic. A template is needed to achieve a good and accurate cut. Many router and template combinations are possible. One example of a router and template combination is shown on page 6. A finished counterbore of 6-7/16" diameter is what is important! Practice on a piece of scrap wood first. If the hole is too big, corrections may not be possible

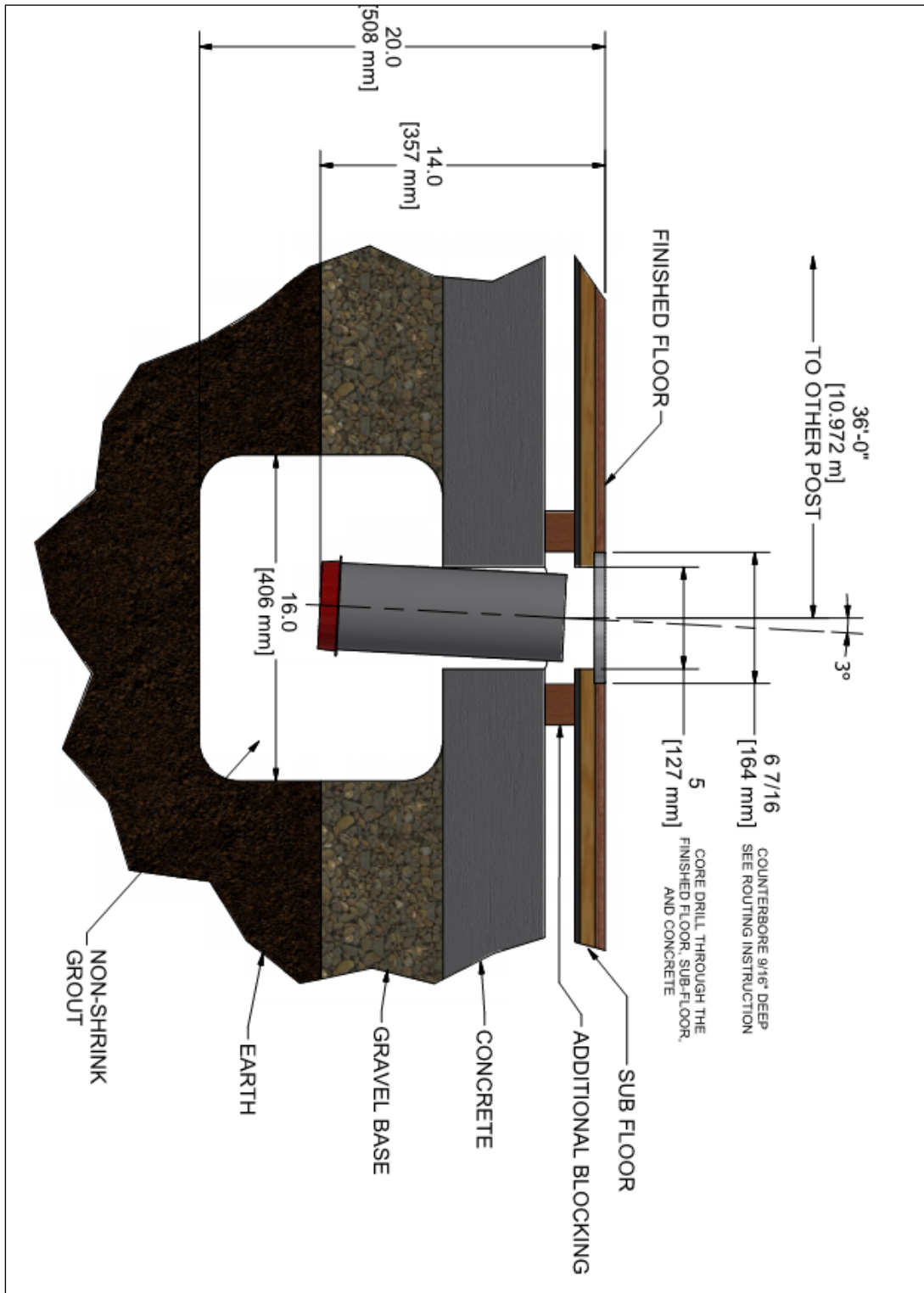
⚠ CAUTION

The dimensions given are for a 6130/6131 floor cover. Carefully confirm exact floor cover diameter and depth before starting.

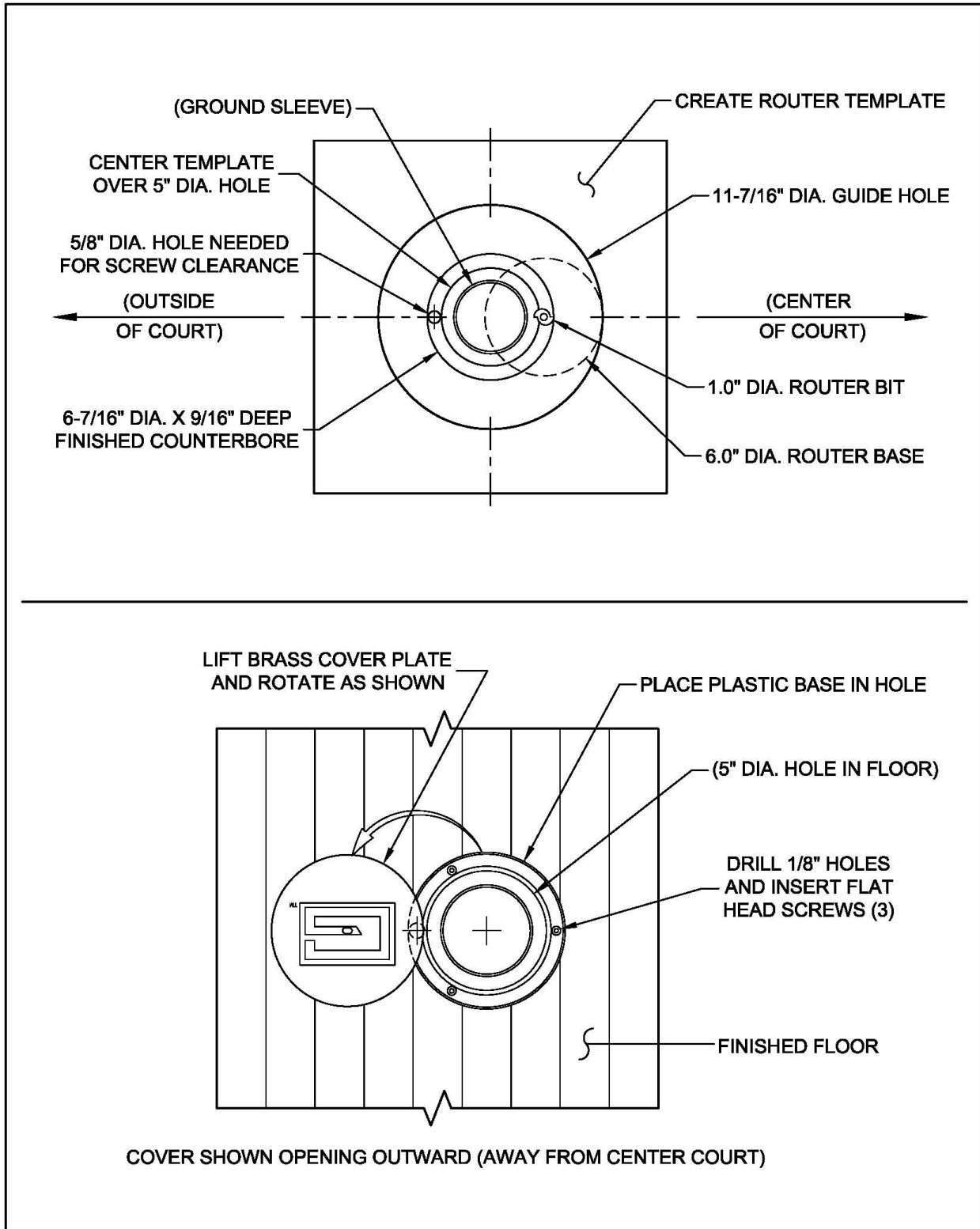
10. Install the floor covers. Usually the covers are oriented to open outward away from the playing area. However, this is a matter of preference. Drill holes and insert screws as shown on page 8.

Installation Instructions for Ground Sleeves



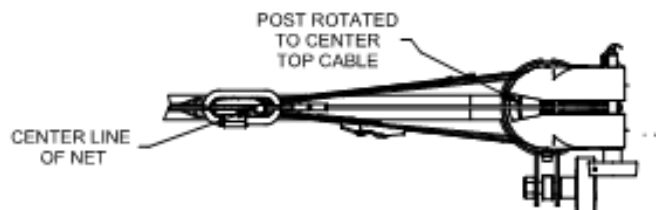
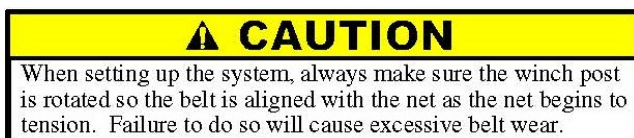
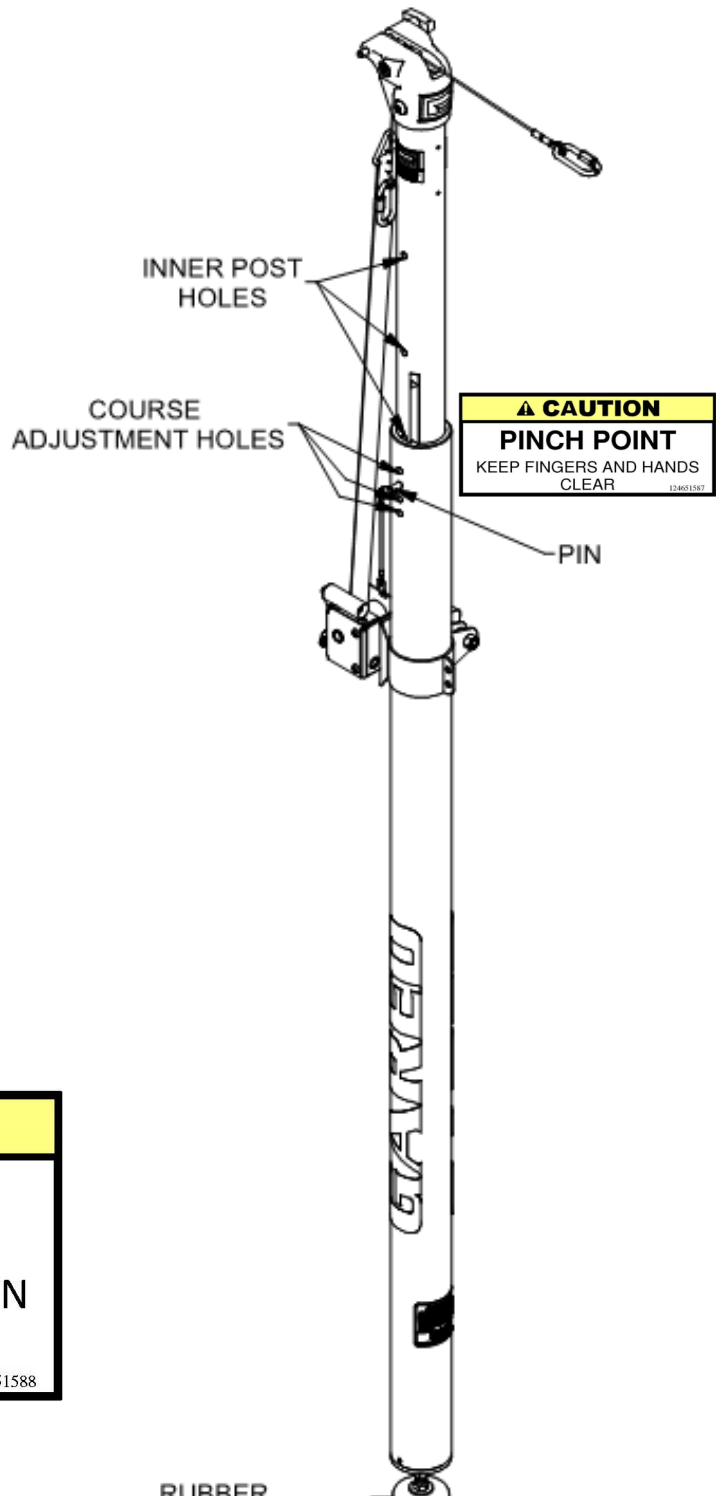


Counterbore Details and Floor Cover Installation



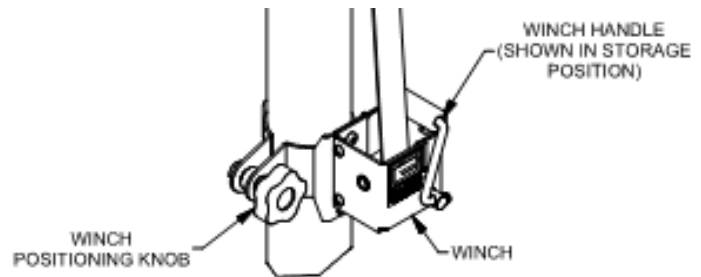
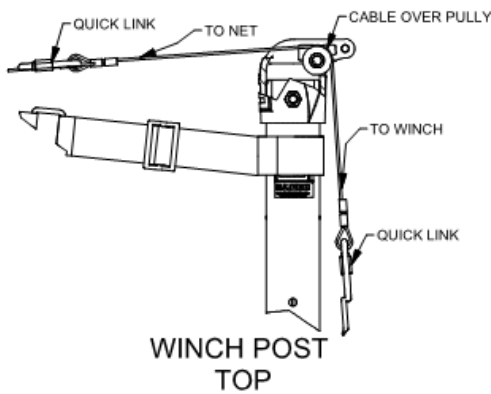
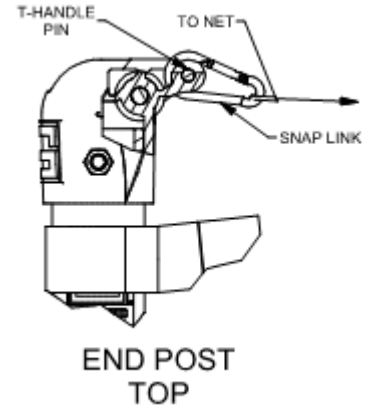
Post Installation Instructions

1. Lift and rotate the floor covers out of the way. Insert the **Winch Post(s)** and **End Post**. 6102 & 6103 systems will have (2) Winch Posts and (1) End Post. One of the Winch Posts will be used as a center post.
2. To adjust the net height, pull out the pin and slide the inner post up or down until the cable over the top of the post is at a position approximately 3/4" [19 mm] higher than the desired net height at the center of the court. See regulation net heights below. Check the outer post holes and insert the pin into the hole that closest aligns with the inner post hole.
 - A 1" [25 mm] course height adjustment can be made by moving the inner up or down a hole in the outer post.
 - Fine adjustments are made by adjusting the rubber foot on the bottom of the post.



Net Installation Instructions (6100 & 6105)

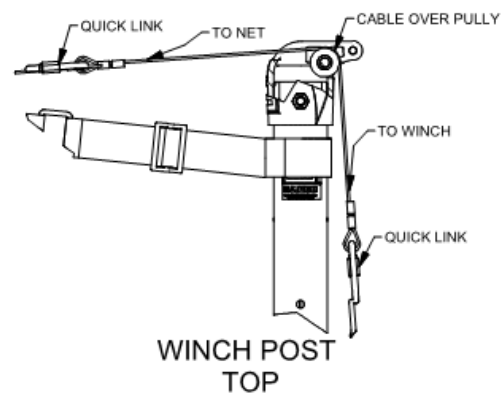
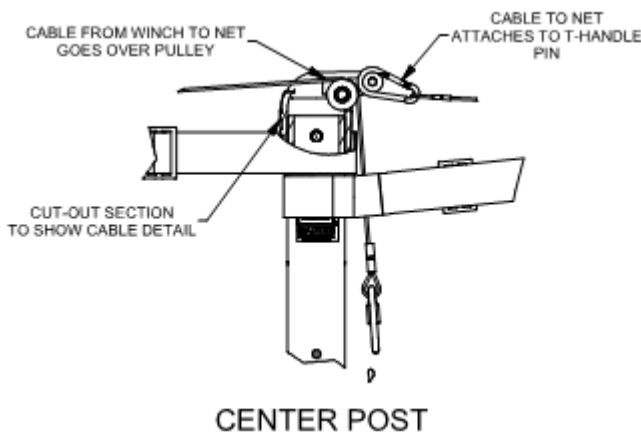
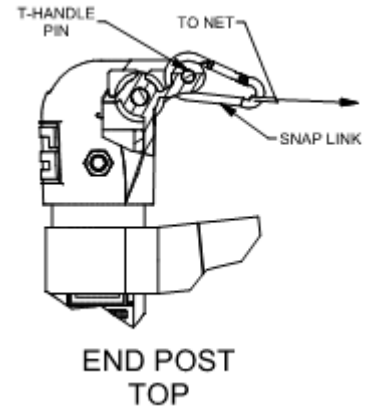
1. Lay out the net in the approximate position between the two posts.
2. Make sure the winch is centered below the top cable ensuring a straight-line feed from the net to the winch by loosening the winch positioning knob and positioning the winch bracket assembly accordingly. Re-tighten the winch positioning knob.
3. Rotate the crank handle of the winch until the belt reaches the top of the post (refer to Figure below).
4. Attach the net to the End Post T- handle pin using the snap link as shown right (see figure “END POST TOP”).
5. Make sure that the short winch cable on the Winch Post is attached to the end of the winch strap with a quick link.
6. Attach the free net cable to the winch cable with a quick link (see figure “WINCH POST TOP”). **Cable should be in pulley groove, not over T-handle pin.**



7. Next, turn the winch handle to tighten the net cable. Note that the height of the net is measured at the center of the court and will be approximately 3/4” higher at the court lines when properly tensioned. **Be sure the winch post is rotated so the cable is aligned with the net as the net begins to tension. Failure to do so will cause excessive wear.**
8. **Skip to page 12**

Net Installation Instructions (6102 & 6103)

1. Lay out the nets in the approximate positions between the three posts.
2. Make sure the winch is centered below the top cable ensuring a straight-line feed from the net to the winch by loosening the winch positioning knob and positioning the winch bracket assembly accordingly. Re-tighten the winch positioning knob (refer to winch figure on previous page).
3. Rotate the crank handles on the winches until the belts reach the top of the posts.
4. Attach the first net to the End Post T- handle pin using the snap link as shown right (see figure “END POST TOP”).
5. Make sure that the short winch cable on the center Winch Post is attached to the end of the winch strap with a quick link.
6. Attach the free net cable to the center winch cable with a quick link (see figure “WINCH POST TOP”). **Cable should be in pulley groove, not over T-handle pin.**



7. Attach the second net to the center Winch Post T- handle pin using the snap link as shown above (see figure “CENTER POST”).
8. Attach the second free net cable to the Winch Post winch cable with a quick link (see figure “WINCH POST TOP”). **Cable should be in pulley groove, not over T-handle pin.**
9. Next, turn the winch handle to tighten the net cable. Note that the height of the net is measured at the center of the court and will be approximately $\frac{3}{4}$ ” higher at the court lines when properly tensioned. **Be sure the winch post is rotated so the cable is aligned with the net as the net begins to tension. Failure to do so will cause excessive wear.**

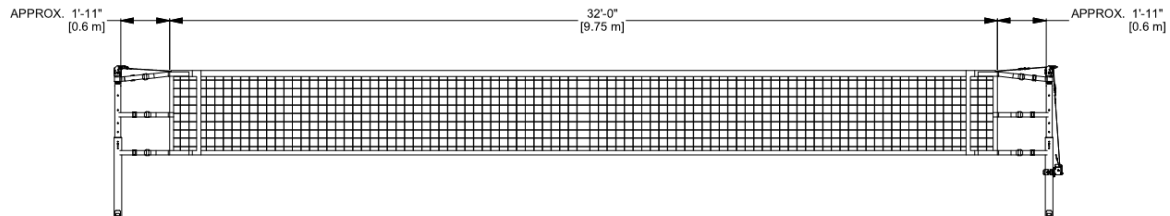
⚠ WARNING
DO NOT OVERTIGHTEN WINCH
 Overtightening may result in damage to equipment and/or serious injury.
124651582

- **The Net Top Cable is fully tensioned when the court center of the net no longer raises with additional tightening of the winch.**
- **DO NOT OVER TENSION THE NET.**

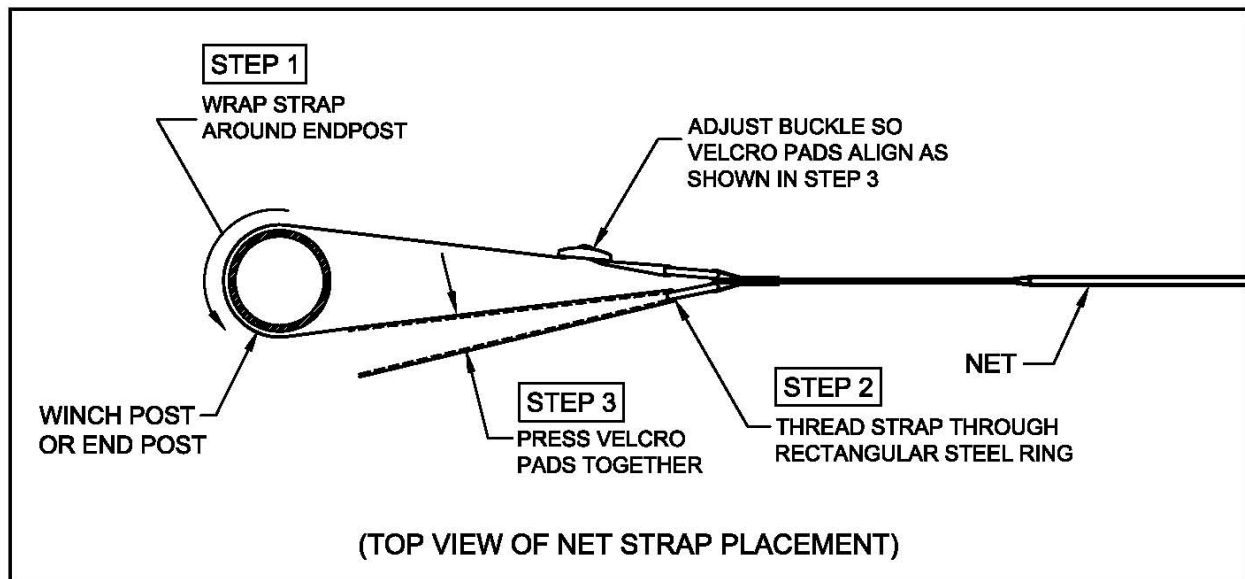
Net Height at Center Court		
Men's VB	95 5/8 Inches	2.429 meters
Women's VB	88 1/8 Inches	2.238 meters
Youth VB	84 Inches	2.134 meters
Girl's VB	78 Inches	1.981 meters

- The height of the net will vary only slightly with the tightness of the cable. If the height of the net requires further adjustment, loosen the net cable, and adjust with course adjustment holes or with rubber foot as noted in step #2 of "Post Installation Instruction". To adjust with rubber foot the net will need to be completely detached from the posts.
- The net cable tension does not make the net play livelier as the net can slide from side to side on the net cable. Livelier net play is accomplished by adjusting the net straps as described in following steps.

⚠ WARNING
DO NOT OVERTIGHTEN WINCH
 Overtightening may result in damage to equipment and/or serious injury.
124651582



- Once the net height is adjusted, center the net on the top cable so that there is equal space between the ends of the net and the posts (about 23" per side as shown above). Undo the Velcro net straps as they come shipped with the net. Wrap the straps around the posts as shown in the illustration below. Pull the straps tight and press the Velcro surfaces together. These straps are responsible for maintaining the net tension and may need to be retightened periodically. Expect some initial stretch in the net. Check cable tension after tightening straps, more tension on the winch may be needed.

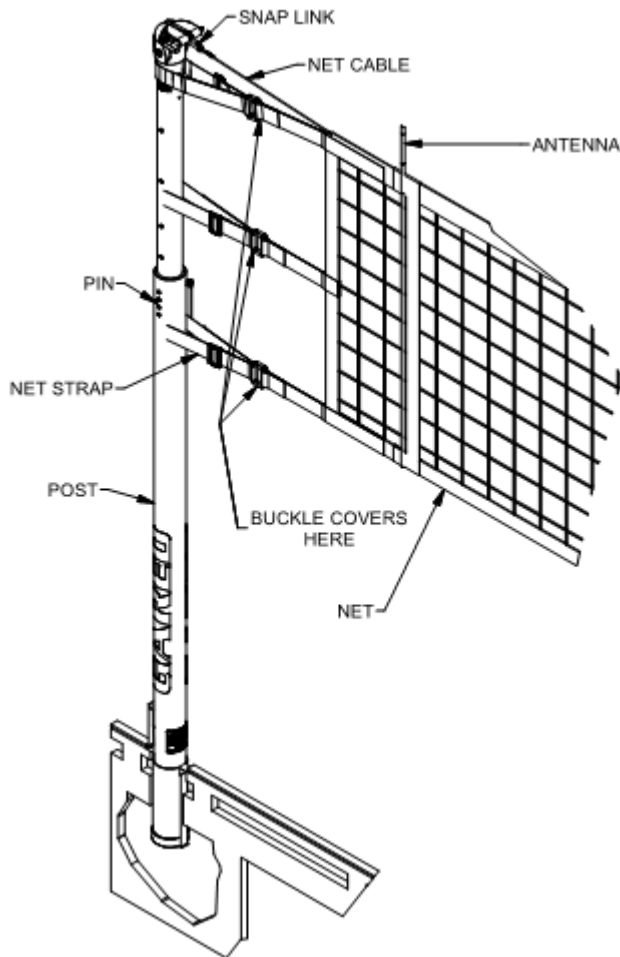


- Install the net side marker sleeves, 7607-22-00, which will attach the net antenna to the net over each side court line.
- Insert the net antenna into the net side marker sleeves. Side marker sleeves and antennae should be adjusted to mark the outer edge of the 30 ft [9.144 m] court width.
- Install the buckle covers over each net strap buckle.
- Install post pads by wrapping pad around the post with the straps towards the court side of post. Secure with the hook and loop straps sewn to the post padding.

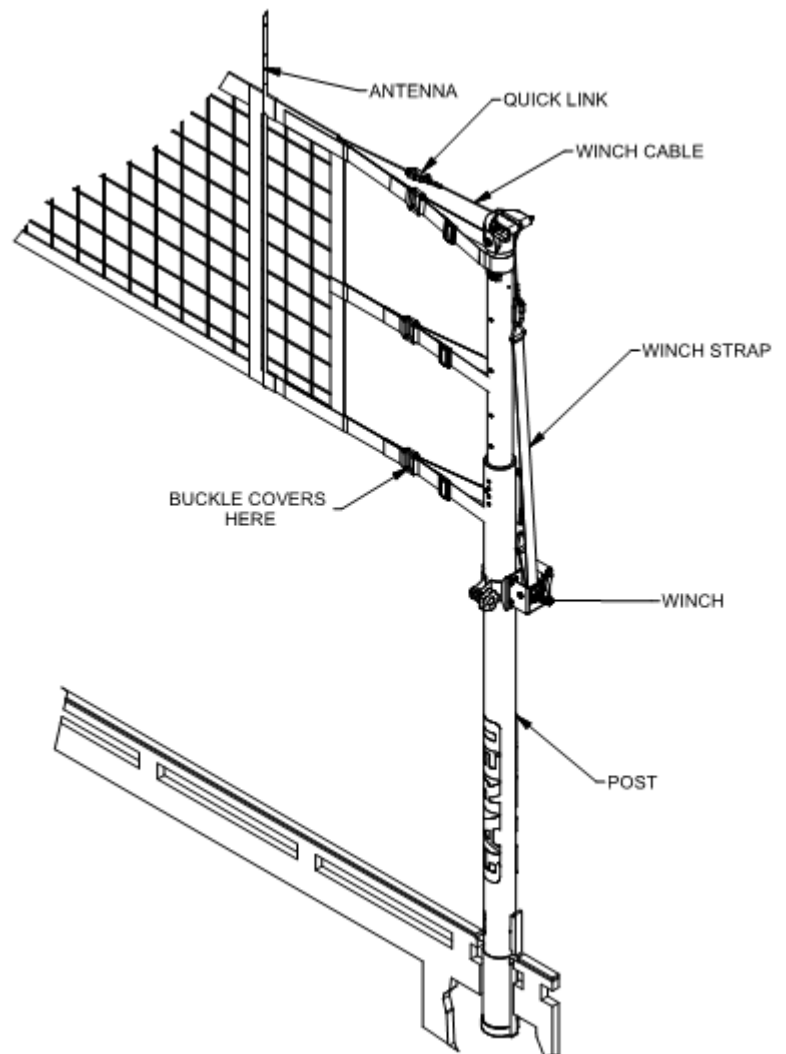
System Removal Instructions

- a. Remove antennae (you may leave side marker sleeves attached).
- b. Unhook net straps from posts at both ends.
- c. Crank winch until net cable can be unhooked from snap links.
- d. Fold net up and transport net and posts to storage.

6107 End Post with Net



6106 Winch Post with Net



Troubleshooting

- **Volleyball posts are not perpendicular to floor when inserted in floor sleeves.**

As noted on page 7, the posts are to be at a 3-degree angle when installed, this is to accommodate the flex of the post when under tension.

- **Volleyball top not aligned with winch.**

Loosen “Winch Positioning Knob” (see page 10) on winch bracket and rotate winch to align winch strap with slot in volleyball top. Tighten knob to keep from moving.

- **Volleyball net straps not long enough to go around post and lock together**

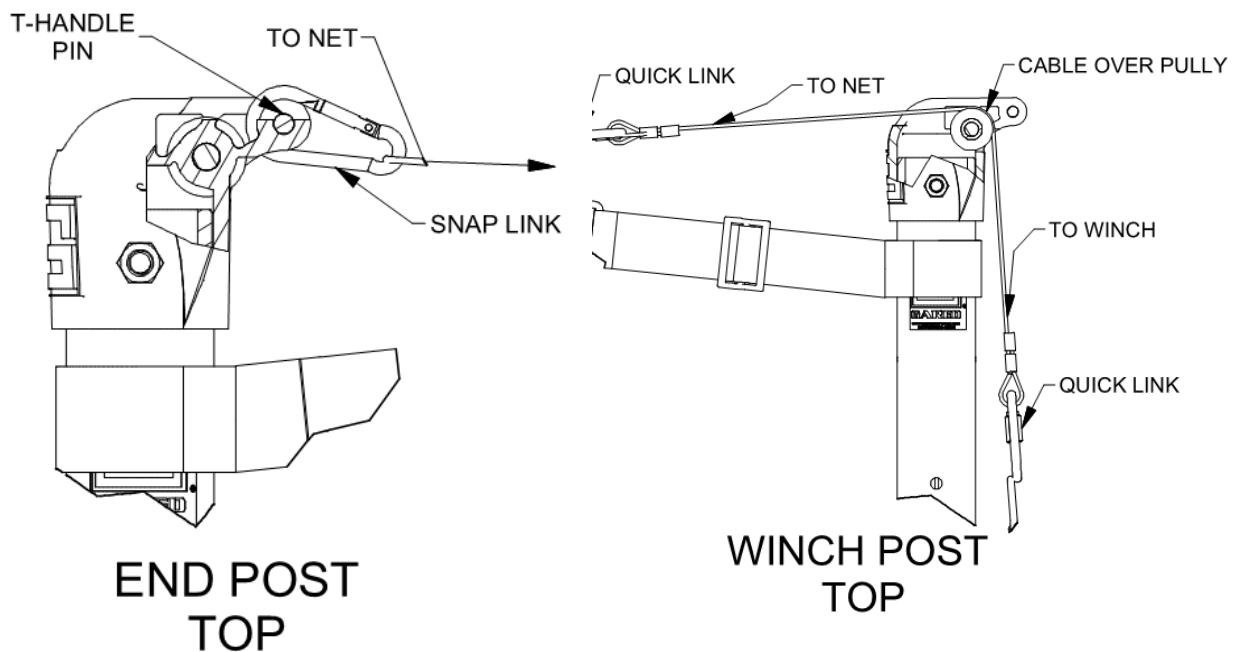
- 1. Make sure that the net is centered between volleyball posts*
- 2. Make sure top cable is under full tension before attaching net straps*
- 3. Adjust buckle in as far as possible*
- 4. Measure floor centers to ensure that the sleeves are 36 feet apart on center.*

- **Volleyball net top cable too long / will not tension fully**

- 1. Attach net top cable directly to T-Handle Pin by pulling pin out of the volleyball top, removing quick link, sliding top cable loop into the slot and replace T-Handle Pin. This will gain an extra 1-1/2 to 2 inches.*
- 2. Make sure the sleeves are slightly angled by observing the angle of the posts before under winch tension.*

➤ **Volleyball net top cable too short / will not reach both posts**

1. *Make sure top cable is not directly attached to T-Handle Pin but attached to quick link, and the quick link attached to T-Handle Pin.*
2. *Make sure the sleeves are only slightly angled by observing the angle of the posts before under winch tension, angle should not be more than 3-degrees.*
3. *Make sure that the winch side cable is not outside the T-Handle pin but seated in the pulley under the T-Handle pin (see illustrations on below).*



➤ **Winch bracket slips up post when placing net under tension**

1. *Tighten “Winch Positioning Knob” (see page 10)*
2. *Bracket may slip when cable exceeds necessary tension to maintain net height.*



ATTENTION CONSUMER

Any athletic activity involves a certain risk of physical injury. This equipment has been designed for safety; however, care and supervision are required during the setting up and taking down of this equipment, as well as during play. The entire system should be periodically inspected for components needing replacement or tightening.

Maintenance

1. General inspection of equipment when used should be performed to ensure no catastrophic failures have occurred during the course of use between yearly inspections.
2. It is recommended that yearly inspections be conducted to determine if any bolts or any other hardware has become worn or loosened. A sample check sheet has been provided for you in this guide.
3. During yearly inspections, all moving parts should be inspected while in operation. Key points to look for include rotation points where bushings contact metal, winches, pulleys and quick links. The strap should be looked at for any degradation or fraying.
4. Any loose bolts or nuts should be tightened.
5. Check Sliding components and strap for wear.

Maintenance Check Sheet

Date: _____

Unit: _____.

Anchors/Floor Sleeves

- Anchors/bolts OK Repair Replace
- Floor sleeves/covers OK Repair Replace

Unit Supports / Brackets / Hinges

- Tubes; dents, stress spots, etc. OK Repair Replace
- Bolts; loose, deformed, etc. OK Repair Replace
- Brackets/Hinges; bent, not rotating, etc. OK Repair Replace

Winch/Strap

- Winch; binding, loose, etc. OK Repair Replace
- Hardware; Quick links OK Repair Replace

Sliding Components

- Locking Mechanisms OK Repair Replace

Safety Padding

- Velcro Function OK Repair Replace
- Vinyl Condition OK Repair Replace

Replacement parts and / or service to the equipment can be obtained from your local dealer or installer. To find your local dealer, visit us online or contact customer service department at the web address or phone number listed on the last page of this manual.



Gared Holdings, LLC

Performance Sports Systems
9200 E. 146th Street
Noblesville, IN 46060

800-848-8034
www.perfsports.com

Gared Sports
9200 E. 146th Street
Noblesville, IN 46060

800-325-2682
www.garedsports.com