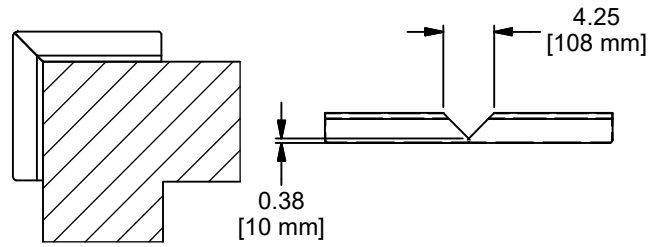
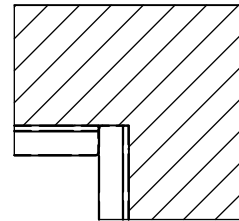


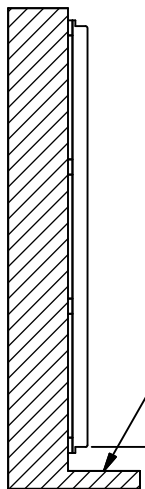
FURRING STRIPS
OPTIONAL



OUTSIDE CORNER DETAIL



INSIDE CORNER
LAP DETAIL

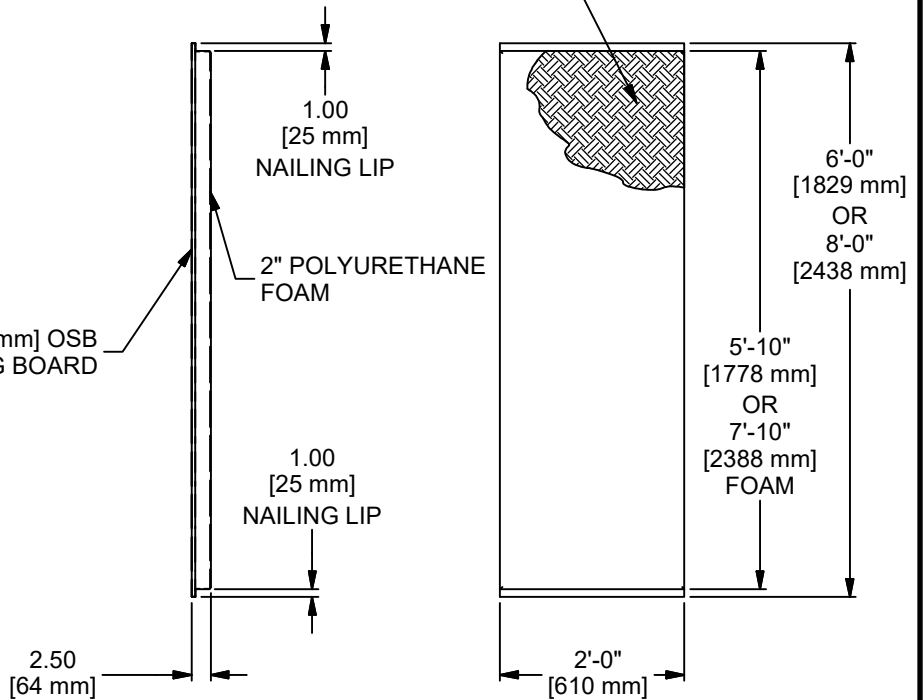


NOTE:
ALL CUSTOM CUTTING AND
FITTING OF PANELS IS TO
BE DONE IN THE FIELD TO
INSURE A PRECISE FIT.

FINISHED FLOOR
4.00
[102 mm]
MAXIMUM

7/16" [11.11 mm] OSB
BACKING BOARD

14 OZ. MIN. POLYESTER LAMINATED
VINYL. ATTACHED TO BACKING WITH
STAPLES EVERY 2.00" [50.8 mm]



WARNING
DO NOT INSTALL PADS MORE THAN 4" ABOVE
THE FINISHED FLOOR. INSTALLING PADS
ABOVE 4" CAN RESULT IN BODY CONTACT
WITH THE WALL AND PERSONAL INJURY.



Gared Performance Sports Systems
9200 E. 146th Street, Suite A
Noblesville, IN 46060

THIS DOCUMENT CONTAINS TRADE SECRET AND OTHER MATERIALS WHICH ARE
PROTECTED BY CONFIDENTIALITY NOTICE AND AGREEMENT AND BY COPYRIGHT.
ANY USE OR COPYING OF THIS DOCUMENT EXCEPT AS AUTHORIZED BY GARED
PERFORMANCE SPORTS SYSTEMS IS STRICTLY PROHIBITED.

WALL PAD, 2" POLYURETHANE

DRAWN CONNERLEY DATE 4/17/2013 DATE ISSUED

APPROVED DATE

FILE LOC. Q:\Inventor Files\

SIZE A SCALE NONE SHT. NO. 1 OF 2 PART NO.

4110

REV B

B	MJP	01/18/22
A	JJC	11/20/17
REV	BY	DATE



MODEL 4110

WALL PADDING

Wall padding standard size shall be 6' [1.82 m] x 2' [0.9 m] with 1" [25.4 mm] nailing margin OR 8' [2.438 m] x 2' [0.9 m] with 1" [25.4 mm] nailing margin on top and bottom of each panel. Nailing margin reduces foam height from 6' [1.8 m] to 5'-10" [1.77 m] OR 8' [2.44 m] to 7'-10" [2.39 m]. Pads shall be constructed using 2" [50.8 mm] thick 3.5-lbs. density polyurethane foam cemented to 7/16" [11.11 mm] oriented strand board.

Cover material shall be 14-ounce polyester laminated vinyl stapled to backing every two inches. Vinyl to be flame retardant material, which meets NFPA 701, ASTM E84, and CSFM (California State Fire Marshall). Vinyl shall be available in white, yellow, orange, red, kelly green, forest green, royal blue, marine blue, navy blue, gray, black, maroon, beige, teal and purple.

Custom cutting and fitting of padding may be done in field to insure proper fit. Furring strips by others.

ACCESSORIES

WALL ATTACHMENT TRIMS AND HARDWARE

Most wall padding may be attached with special attachment trims and hardware. See the wall padding section in the specification manual.

Subject to design change and current manufacturing practices.