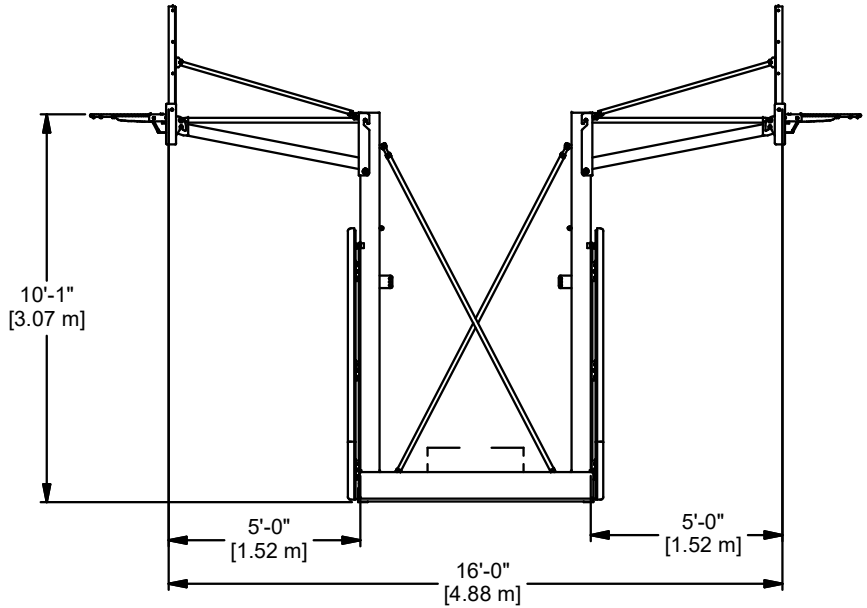
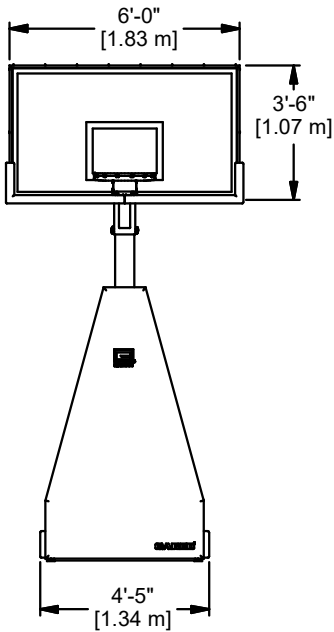
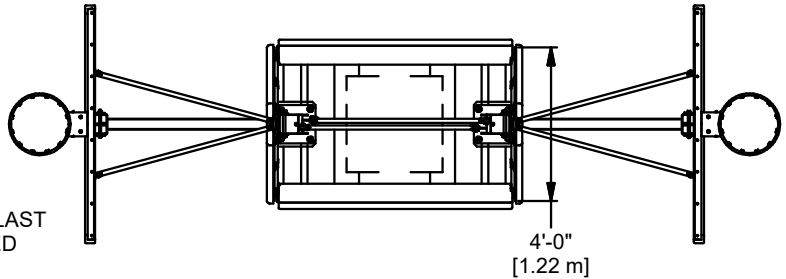
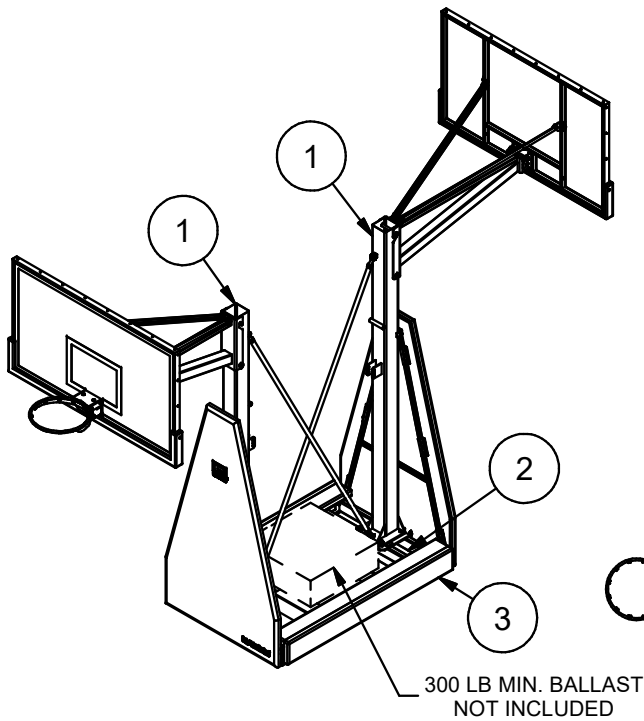


PARTS LIST

ITEM	QTY	PART NUMBER	DESCRIPTION
1	2	9253	POST ASSY, HOOPS 21
2	1	9254	BASE WELDMENT, HOOPS 21
3	2	883103595	PAD ASSY, BASE SIDE



UNIT WEIGHT: 1173 LBS [532 KG]  
300 LBS [136 KG] BALLAST BY OTHERS

B	WDC	12-23-22
A	WDC	05-21-13
REV	BY	DATE



Gared Holdings, LLC  
9200 E. 146th St. Noblesville, IN 46060

THIS DOCUMENT CONTAINS TRADE SECRET AND OTHER MATERIALS WHICH ARE PROTECTED BY CONFIDENTIALITY NOTICE AND AGREEMENT AND BY COPYRIGHT. ANY USE OR COPYING OF THIS DOCUMENT EXCEPT AS AUTHORIZED BY GARED HOLDINGS, LLC IS STRICTLY PROHIBITED.

HOOPS 21 SYSTEM, DOUBLE

DRAWN	CROSBY	DATE	3/20/2013	DATE ISSUED
APPROVED		DATE		

FILE LOC. Q:\Inventor Files\Specification Files\02\_Portables

SIZE	SCALE	SHT. NO.	PART NO.	REV
A		1 OF 1	9252	B