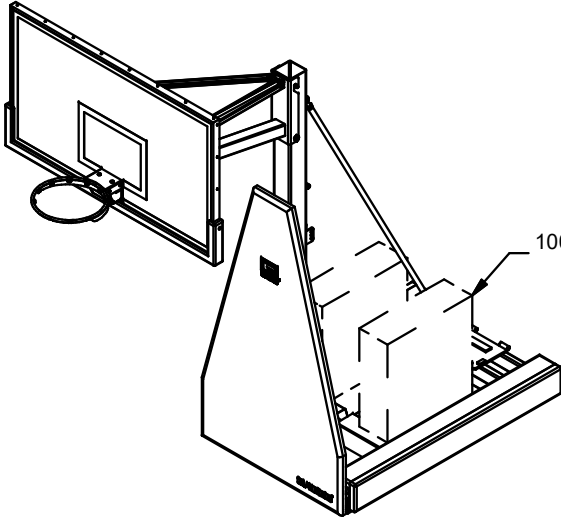
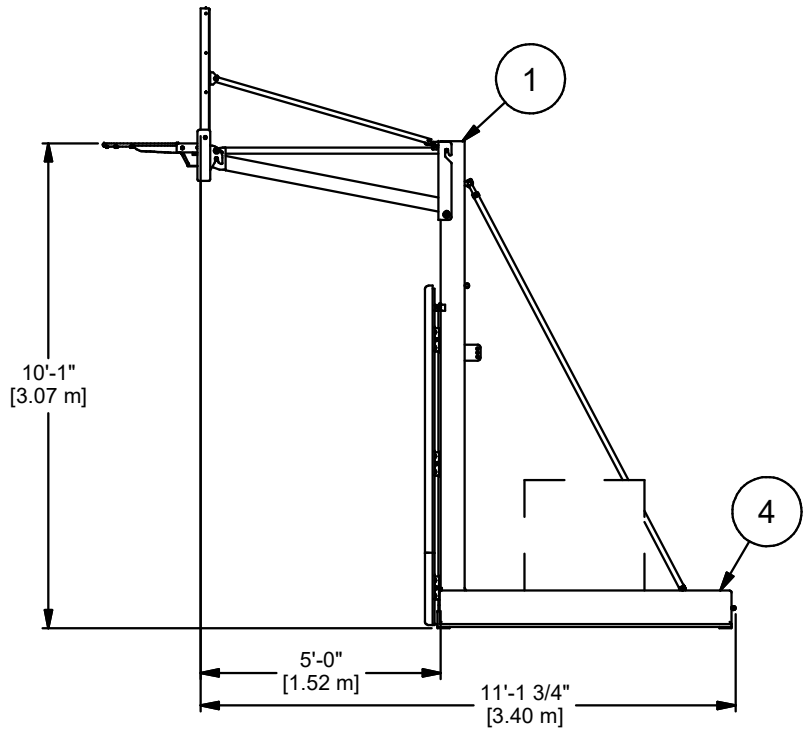
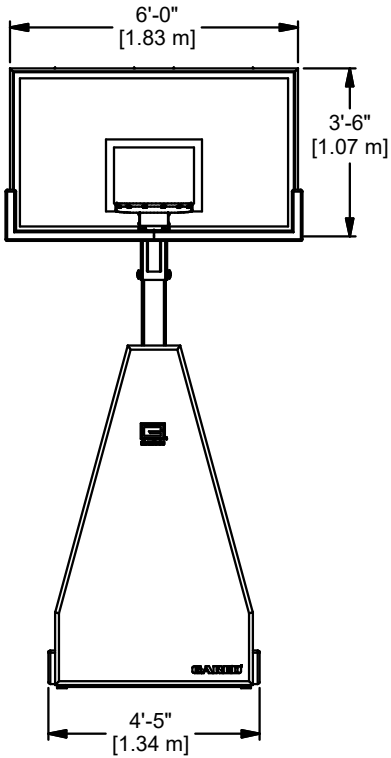
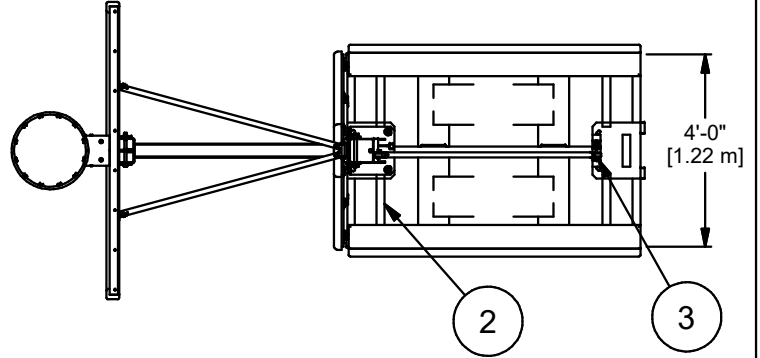


PARTS LIST			
ITEM	QTY	PART NUMBER	DESCRIPTION
1	1	9253	POST ASSY, HOOPS 21
2	1	9254	BASE WELDMENT, HOOPS 21
3	1	9255	ANCHOR ASSY, SGL HOOPS 21
4	2	883103595	PAD ASSY, BASE SIDE



1000 LBS MIN. BALLAST
NOT INCLUDED



UNIT WEIGHT: 662 LBS [300 KG]
1000 LBS [454 KG] BALLAST BY OTHERS

B	WDC	12-23-22
A	WDC	05-21-13
REV	BY	DATE



Gared Holdings, LLC
9200 E. 146th St. Noblesville, IN 46060

THIS DOCUMENT CONTAINS TRADE SECRET AND OTHER MATERIALS WHICH ARE PROTECTED BY CONFIDENTIALITY NOTICE AND AGREEMENT AND BY COPYRIGHT. ANY USE OR COPYING OF THIS DOCUMENT EXCEPT AS AUTHORIZED BY GARED HOLDINGS, LLC IS STRICTLY PROHIBITED.

HOOPS 21 SYSTEM, SINGLE

DRAWN	CROSBY	DATE	3/20/2013	DATE ISSUED
APPROVED		DATE		

FILE LOC. Q:\Inventor Files\Specification Files\02_Portables\

SIZE	SCALE	SHT. NO.	PART NO.	REV
A		1 OF 1	9251	B