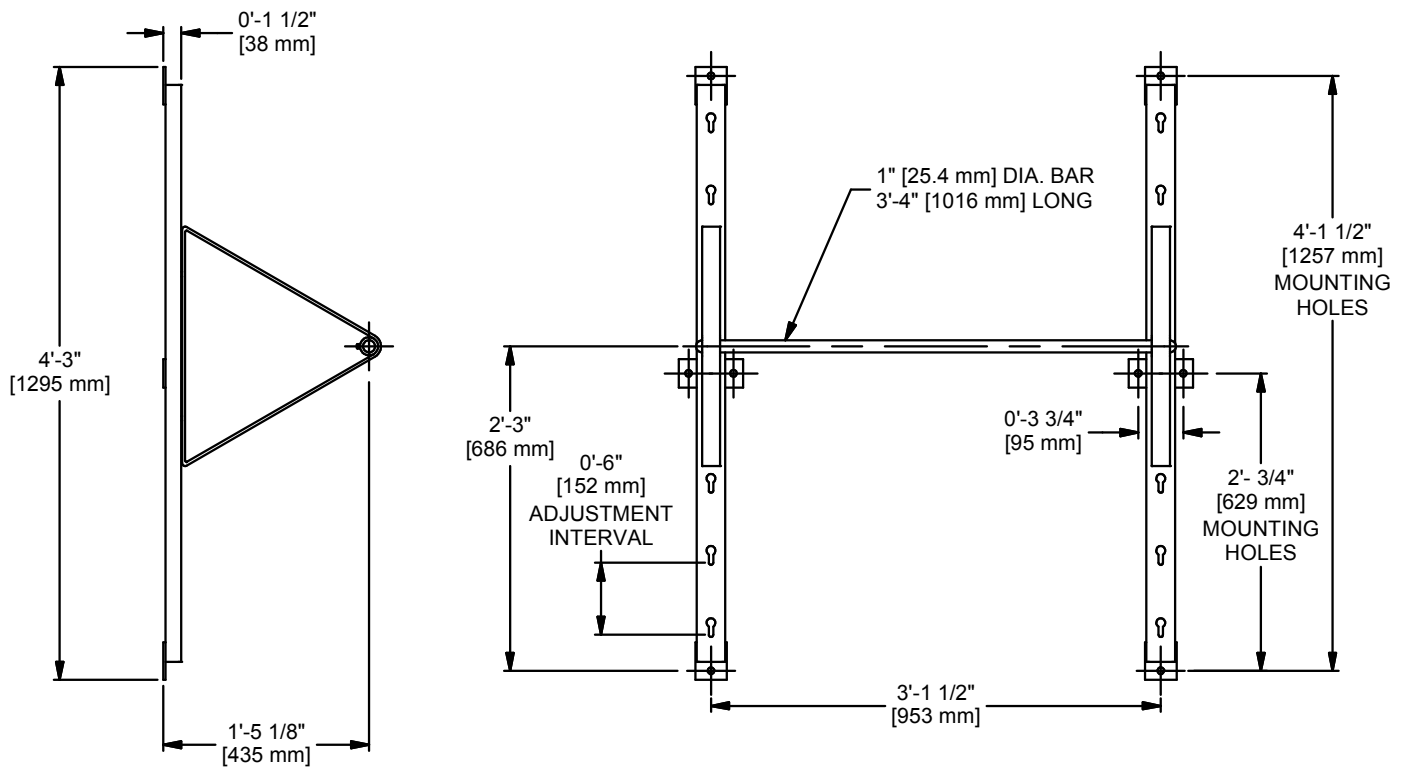


NOTES:

- CHIN-UP BAR CONSTRUCTED OF WELDED STEEL FRAME AND WELDED STEEL MOVEABLE BAR STRUCTURE.
- BAR ADJUSTS TO 6 PREDETERMINED HEIGHTS USING KEYHOLE SLOTS.
- UNIT IS POWDER COATED GRAY.
- WALL ATTACHMENT HARDWARE SPECIFIED AND SUPPLIED BY OTHERS.



F	WDC	06-05-20
REV	BY	DATE



Gared Holdings, LLC
9200 E. 146th St. Noblesville, IN 46060

THIS DOCUMENT CONTAINS TRADE SECRET AND OTHER MATERIALS WHICH ARE PROTECTED BY CONFIDENTIALITY NOTICE AND AGREEMENT AND BY COPYRIGHT. ANY USE OR COPYING OF THIS DOCUMENT EXCEPT AS AUTHORIZED BY GARED HOLDINGS, LLC IS STRICTLY PROHIBITED.

CHIN-UP BAR, ADJUSTABLE

DRAWN	CROSBY	DATE	6/5/2020	DATE ISSUED
APPROVED		DATE		

FILE LOC. Q:\Inventor Files\Specification Files\13_Gym Equipment

SIZE	SCALE	SHT. NO.	PART NO.	REV
A		1 OF 2	109	F



MODEL 109

CHIN-UP BAR

Chin up bar shall be constructed of steel frame rails and welded steel moveable bar structure. Bar is 1" diameter and shall adjust to six predetermined heights, at 6" intervals, using keyhole slots. Finished in gray powder coat.

Hardware for attachment of steel frame to wall not included.

Subject to design change and current manufacturing practices.
©2008 Gared Holdings, LLC