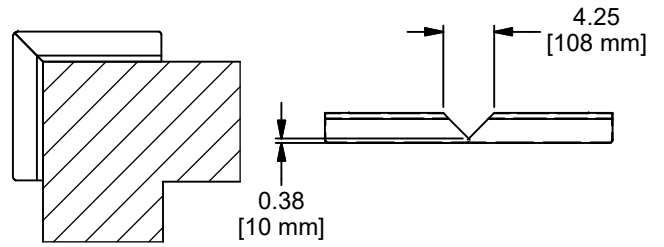
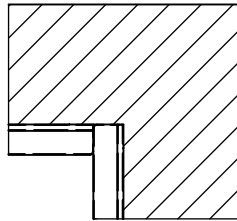


FURRING STRIPS
BY OTHERS



OUTSIDE CORNER DETAIL

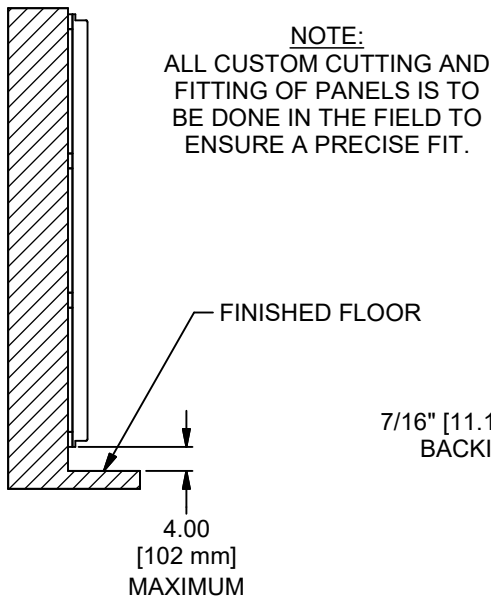


INSIDE CORNER
LAP DETAIL

Part number	"A" Dim	"B" Dim
4120-STD	5'-10" [1778mm]	6'-0" [1829 mm]
4120-NSD	6'-10" [2082 mm]	7'-0" [2134mm]
4120-NSD	7'-10" [2388 mm]	8'-0" [2438 mm]

14 OZ. MIN. POLYESTER LAMINATED
VINYL (19 OZ POLYESTER LAMINATED
VINYL OPTIONAL).

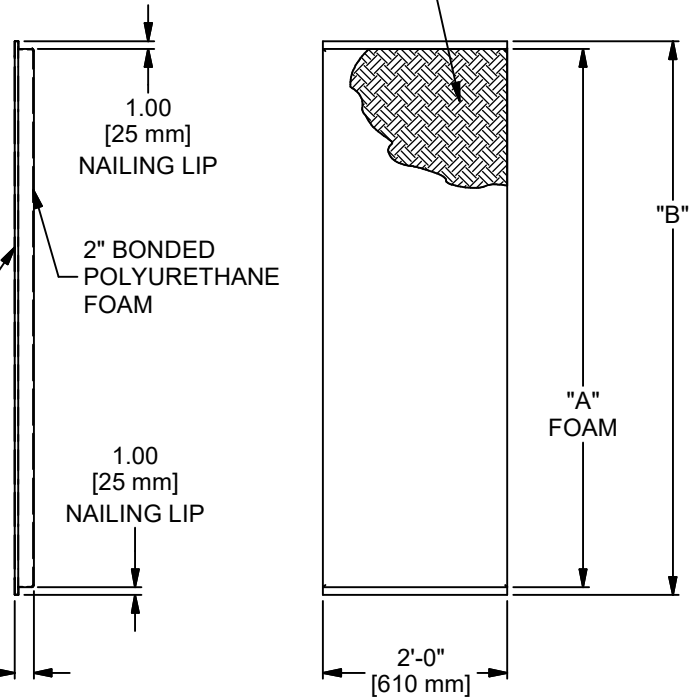
ATTACHED TO BACKING WITH
STAPLES EVERY 2.00" [50.8 mm]



NOTE:
ALL CUSTOM CUTTING AND
FITTING OF PANELS IS TO
BE DONE IN THE FIELD TO
ENSURE A PRECISE FIT.

4.00
[102 mm]
MAXIMUM

7/16" [11.11 mm] OSB
BACKING BOARD



1.00
[25 mm]
NAILING LIP

2" BONDED
POLYURETHANE
FOAM

1.00
[25 mm]
NAILING LIP

2.50
[64 mm]

"A"
FOAM

"B"

2'-0"
[610 mm]

WARNING

DO NOT INSTALL PADS MORE THAN 4" ABOVE
THE FINISHED FLOOR. INSTALLING PADS
ABOVE 4" CAN RESULT IN BODY CONTACT
WITH THE WALL AND PERSONAL INJURY.



Gared Holdings, LLC
9200 E. 146th St. Noblesville, IN 46060

THIS DOCUMENT CONTAINS TRADE SECRET AND OTHER MATERIALS WHICH ARE PROTECTED BY CONFIDENTIALITY NOTICE AND AGREEMENT AND BY COPYRIGHT. ANY USE OR COPYING OF THIS DOCUMENT EXCEPT AS AUTHORIZED BY GARED HOLDINGS, LLC IS STRICTLY PROHIBITED.

IMPACT2440BND WALL PAD, 2" BONDED

DRAWN CONNERLEY DATE 4/17/2013 DATE ISSUED

APPROVED DATE

FILE LOC. Q:\Inventor Files\

SIZE	SCALE	SHT. NO.	PART NO.	REV
A	NONE	1 OF 2	4120	C

C	MJP	06/09/22
B	MJP	01/28/22
A	JJC	11/20/17
REV	BY	DATE



MODEL 4120

IMPACT2440BND WALL PADDING

Wall padding standard size (Part number 4120-STD) shall be 6' [1.82 m] x 2' [0.9 m] with 1" [25.4 mm] nailing margin with height options (Part number 4120-NSD) available for both 7' [2.134 m] x 2' [0.9 m] and 8' [2.438 m] x 2' [0.9 m] with 1" [25.4 mm] nailing margin on top and bottom of each panel. Nailing margin reduces foam height from 6' [1.8 m] to 5'-10" [1.77 m], 7' [2.134 m] to 6'-10" [2.083 m], and 8' [2.44 m] to 7'-10" [2.39 m] respectively. Pads shall be constructed using 2" [50.8 mm] thick 6 lbs. density bonded polyurethane foam cemented to 7/16" [11.11 mm] oriented strand board.

Cover material shall be 14-ounce polyester laminated vinyl (19-ounce polyester laminated vinyl optional) stapled to backing every two inches. Vinyl to be flame retardant material, which meets NFPA 701, ASTM E84, and CSFM (California State Fire Marshall). Vinyl shall be available in white, yellow, orange, red, kelly green, forest green, royal blue, marine blue, navy blue, gray, black, burgundy, beige, and purple.

Custom cutting and fitting of padding may be done in field to ensure proper fit. Furring strips by others.

Product tested per ASTM F1292-09 and meets all requirements of ASTM F2440-11.

ACCESSORIES

WALL ATTACHMENT TRIMS AND HARDWARE

Most wall padding may be attached with special attachment trims and hardware. See the wall padding section in the specification manual.

Subject to design change and current manufacturing practices.