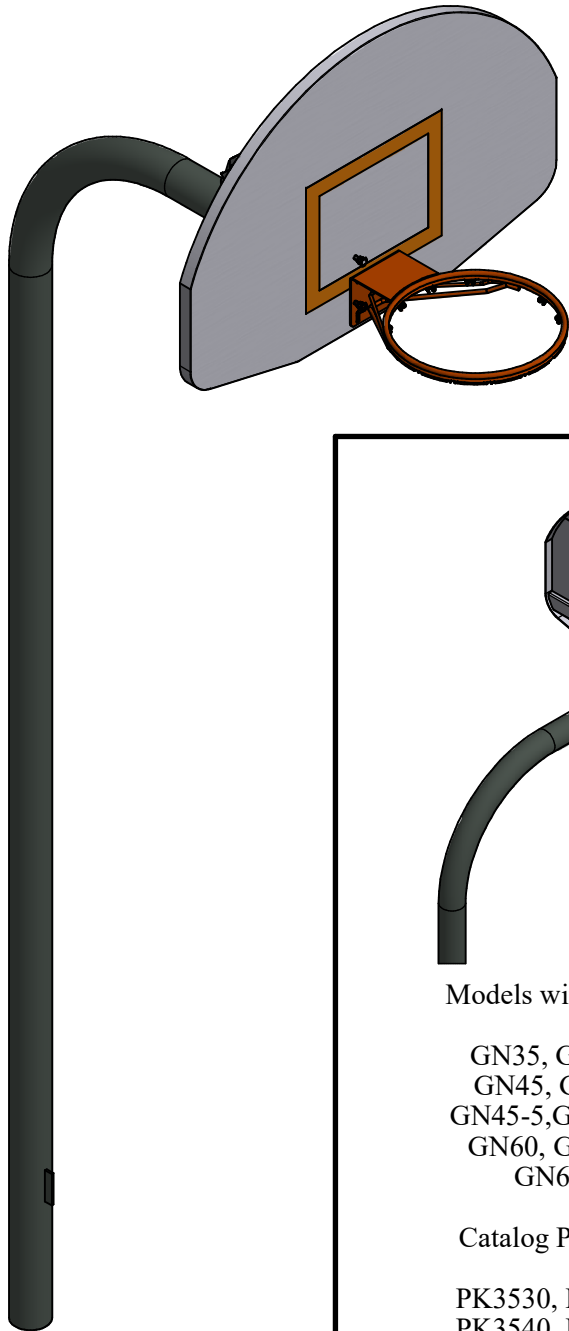
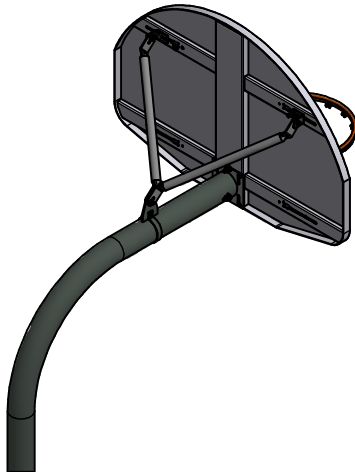
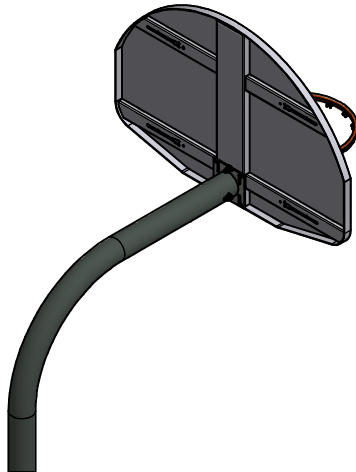


Gooseneck Backboard Systems



 <p>Models with Braces</p> <p>GN35, GN35R, GN45, GN45R, GN45-5, GN45-5R, GN60, GN60-4, GN60-5</p> <p>Catalog Packages</p> <p>PK3530, PK3535, PK3540, PK3545, PK4530, PK4540, PK4560, PK4565, PK4570, PK6005, PK6015, PK6025, and PK6040</p>	 <p>Models without Braces</p> <p>GNA35, GNA35R, GNA45, GNA45R, GNA45-5, GNA45-5R</p> <p>Catalog Packages</p> <p>PK3505, PK3510, and PK3515</p> <p>Braces are not used on these units.</p>
---	--

Installation and Assembly Instructions



Gared Holdings, LLC
9200 E. 146th St.
Noblesville, IN 46060

GOOSNECK BACKBOARD SYSTEM			
FILE LOC. Q:\Inventor Files\			
DATE	SHT. NO.	PART NO.	REV
9/23/2015	1 OF 10	401754473	G

WARNING

ONLY AUTHORIZED PERSONNEL SHOULD INSTALL AND/OR MAKE ADJUSTMENTS TO THIS EQUIPMENT. ANY ATTEMPT BY UNAUTHORIZED PERSONNEL TO ADJUST EXTENSION ARM, BACKBOARD, OR GOAL MAY RESULT IN DAMAGE TO THE EQUIPMENT OR SERIOUS PERSONAL INJURY.

This guide will provide information on the proper assembly and installation methods of your gooseneck backboard system.

Please note that a Bill of Materials is being included with this guide. Please check that all of the parts called out on the Bill of Materials are present prior to beginning assembly and setup. This manual refers to all models of the Gared Gooseneck Backboard system and therefore some parts shown in the Bill of Material may not be required on your model. Refer to the assembly instructions for correct parts to be used in the installation.

Please do not substitute for factory parts. Please contact the Gared Customer Service department and allow them to determine if substitute parts are acceptable.

It is recommended that an individual who has been properly trained perform assembly and set up of the backstop. No one under the age of 18 should attempt assembly or set up of the unit, unless properly supervised.

To prevent normal wear and tear from shortening the life of the unit, preventative maintenance inspections and repairs should be performed at least once per year. If the units are subject to high or unusual usage, inspections should be scheduled to occur more frequently. If items are found to be nonconforming, replacements can be ordered from Gared Sports and/or Performance Sports Systems or one of our authorized dealers. When contacting Customer Service, please have information regarding the dealer/installer who sold the unit, the name of the project, and any applicable warranty information.

Performance Sports Systems
800-848-8034
www.perfsports.com

Gared Sports
800-325-2682
www.garedsports.com
CustomerService@garedsports.com

Installation and Assembly Instructions



Gared Holdings, LLC
9200 E. 146th St.
Noblesville, IN 46060

GOOSNECK BACKBOARD SYSTEM

FILE LOC. Q:\Inventor Files\

DATE	SHT. NO.	PART NO.	REV
9/23/2015	2 OF 10	401754473	G

Package Component List

		Package	Post	Board	Goal	Brace	Brace Kit	
3 1/2" OD w/	3' ext	PK3505	GNA35	1701	39WO	None	N/R	
		PK3510	GNA35	1750	39WO	None	N/R	
		PK3515	GNA35R	1266	66T	None	N/R	
		PK3530	GNA35	BB48A38	5500	AAB35-12-BB60	15G353946 & 15B603949	
		PK3535	GNA35	1750B	39WO	AAB35-12	15G353946	
		PK3540	GNA35	1245T	39WO	AAB35-12	15G353946	
		PK3545	GNA35R	1266	66T	AAB35-12	15G353946	
		GNA35	GNA35			None	N/R	
		GNA35R	GNA35			None	N/R	
		GN35	GNA35	* Braces and Brace kits shown are for all backboards except BB60 & BB48.			AAB35-12	15G353946
		GN35R	GNA35				AAB35-12	15G353946
4 1/2" OD w/	4' ext	PK4530	GNA45	BB60A38	5500	AAB35-12-BB60	15G453947 & 15B603949	
		PK4540	GNA45	1245T	240	AAB35-12	15G453947	
		PK4560	GNA45	1260B	240	AAB35-12	15G453947	
		PK4565	GNA45	1750B	240	AAB35-12	15G453947	
		PK4570	GNA45R	1266B	266	AAB35-12	15G453947	
		GNA45	GNA45			None	N/R	
		GNA45R	GNA45			None	N/R	
		GN45	GNA45	* Braces and Brace kits shown are for all backboards except BB60 & BB48.			AAB35-12	15G453947
	GN45R	GNA45	AAB35-12				15G453947	
	5' ext	GN45-5	GNA45-5	* Braces and Brace kits shown are for all backboards except BB60 & BB48.			AAB35-12	15G453947
GN45-5R		GNA45-5R	AAB35-12				15G453947	
5 9/16" OD w/	6' ext	PK6005	GN60-1	1272B	7550	AAB35-12	15G603948	
		PK6015	GN60-1	1260B	7550	AAB35-12	15G603948	
		PK6025	GN60-1	BB60G38	5500	AAB35-12-BB60	15G603948 & 15B603949	
		PK6040	GN60-1	BB72A38	5500	AAB35-12	15G603948 & 15B603949	
		GN60	GN60-1	* Braces and Brace kits shown are for all backboards except BB60 & BB48.			AAB35-12	15G603948
	GN60-4	403356139G	AAB35-12				15G603948	
	GN60-5	403356141G	AAB35-12				15G603948	
		* Braces and Brace kits for BB60 & BB48:				AAB35-12-BB60	Listed Kit + 15B603949	

- Note 1) GN35 backboard options are: 1266, 1245T, 1701, 1750, 1750B, or BB48A38
 GN45 backboard options are: 1266B, 1245T, 1260B, 1750B, or BB60A38
 GN60 backboard options are: 1260B, 1272B, BB60G38, or BB72A38
- Note 2) GN35 goal options are: 39WO (used with all except 1266 & BB48A38), 66T (used with 1266) & 5500 (used with BB48A38)
 GN45 goal options are: 240 (used with all except 1266 & BB60A38), 266 (used with 1266B) & 5500 (used with BB60A38)
 GN60 goal options are: 7550 (used with 1260B & 1272B), 5500 (used with BB60G38 & BB72A38)
- Note 3) The brace P/N AAB35-12-BB60 is used with BB48A38, BB60A38, & BB60G38
 The brace P/N AAB35-12 is used for all other backboards.

Installation and Assembly Instructions



Gared Holdings, LLC
 9200 E. 146th St.
 Noblesville, IN 46060

GOOSNECK BACKBOARD SYSTEM			
FILE LOC. Q:\Inventor Files\			
DATE	SHT. NO.	PART NO.	REV
9/23/2015	3 OF 10	401754473	G

PARTS LIST

Item	Part Number	Quantity					Description
		GN35	GN35R	GN45	GN45R	GN60	
1	GNA35	1	---	---	---	---	3.5" GOOSENECK PST W/PLATE
	GNA35R	---	1	---	---	---	3.5" GOOSENECK PST W/REAR PLATE
	GNA45	---	---	1	---	---	4.5" GOOSENECK PST W/PLATE
	GNA45R	---	---	---	1	---	4.5" GOOSENECK PST W/REAR PLATE
	GN60	---	---	---	---	1	5 9/16" GOOSENECK PST W/PLATE
2	See Note 1	1	1	1	1	1	BACKBOARD
3	See Note 2	1	1	1	1	1	GOAL
4	AAB35-12	2	2	2	2	2	BRACE,UPPER 1.5"O.D. X 31.25"FORMED
	AAB35-12-BB60	See Note 3					
5	15G353946	1	1	---	---	---	GN35 HARDWARE KIT
	15G453947	---	---	1	1	---	GN45 HARDWARE KIT
	15G603948	---	---	---	---	1	GN60 HARDWARE KIT
Components of Item 5	AAB35-3	1	1	---	---	---	CLASP, POST, 3.5 I.D. X 1" WIDE
	AAB60-34	---	---	1	1	---	CLASP, POST, 4.5 I.D. X 1"WIDE
	AABS60-41	---	---	---	---	1	POST HANGER FOR 5.5625" PIPE
	5.2 AAB35-30	1	1	1	1	1	CLASP EXTENSION CUT/PUNCHED
	5.3 AABS35-18	2	2	2	2	4	MOUNTING BRACKET CUT/PUNCH/FORMED
	5.4 501-5-18-16	1	1	1	1	1	BOLT, CARRIAGE 5/16-18 UNC X 1
	5.5 501-6-16-16	2	2	2	2	2	BOLT, CARRIAGE 3/8-16 UNC X 1
	5.6 502-6-16-16	2	2	2	2	4	HEX BOLT, 3/8-16 UNC X 1
	5.7 502-6-16-20	3	3	3	3	3	HEX BOLT, 3/8-16 UNC X 1.25
	5.8 541-5-18	1	1	1	1	1	HEX NUT 5/16-18
	5.9 541-6-16	5	5	5	5	7	HEX NUT 3/8-16
	5.10 561-5	1	1	1	1	1	FLAT WASHER 5/16
	5.11 561-6	6	6	6	6	6	FLAT WASHER 3/8
	5.12 562-5	1	1	1	1	1	SPLIT LOCK WASHER 5/16
	5.13 562-6	5	5	5	5	7	SPLIT LOCK WASHER 3/8
	5.14 AABS60-43	---	---	---	---	2	U-BOLT,1/2-13 X 7.75"LG. 5.594ID
	5.15 502-6-16-24	---	---	---	---	1	HEX BOLT, 3/8-16 UNC X 1.5
	5.16 541-8-13	---	---	---	---	4	HEX NUT 1/2-13
5.17 561-8	---	---	---	---	4	FLAT WASHER 1/2	
5.18 562-8	---	---	---	---	4	SPLIT LOCK WASHER 1/2	

This brace attach kit is only required when installing the BB48A38, BB60A38, BB60G38, or BB72G50 Backboard

Item	Part Number	Quantity			Description
		BB48	BB60	BB72	
6	15B603949				KIT, BRACE ATTACH BB48-BB60-BB72
Components of Item 6	6.1 401651363	2	2	2	BRACKET, BOARD BRACE MTG AAB & GN
	6.2 502-5-18-24Z	4	---	---	HEX BOLT, 5/16-18 UNC X 1.5
	6.3 502-6-16-24	---	2	2	HEX BOLT, 3/8-16 UNC X 1.5
	6.4 541-5-18	4	---	---	HEX NUT 5/16-18
	6.5 541-6-16	---	2	2	HEX NUT 3/8-16
	6.6 561-5	4	---	---	FLAT WASHER 5/16
	6.7 561-6	---	2	2	FLAT WASHER 3/8
	6.8 562-5	4	---	---	SPLIT LOCK WASHER 5/16
	6.9 562-6	---	2	2	SPLIT LOCK WASHER 3/8

Installation and Assembly Instructions



Gared Holdings, LLC
9200 E. 146th St.
Noblesville, IN 46060

GOOSENECK BACKBOARD SYSTEM

FILE LOC. Q:\Inventor Files\

DATE 9/23/2015

SHT. NO. 4 OF 10

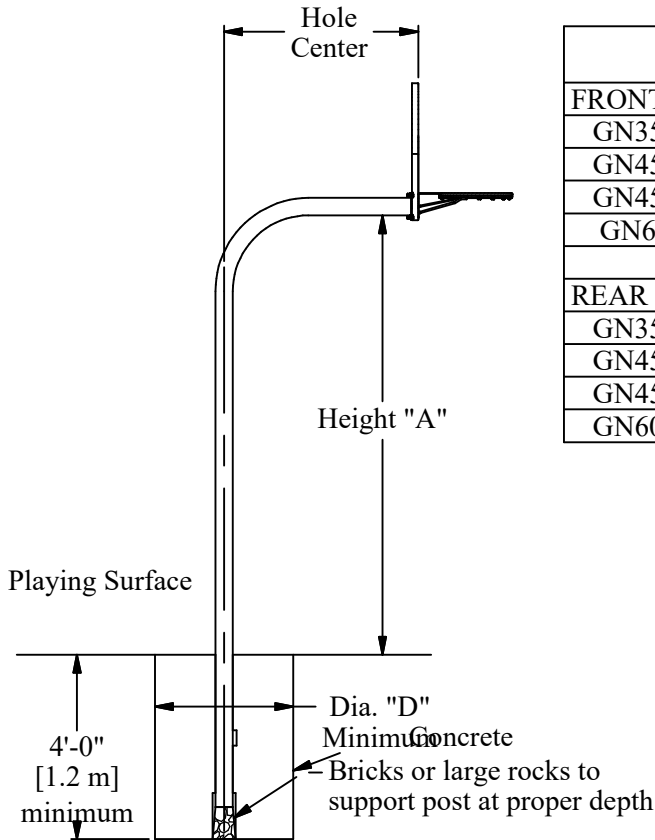
PART NO. 401754473

REV G

Tools Required:

- Spade
- Shovel
- Hammer
- 1/2", 9/16", 5/8", and 3/4" Wrenches
- Blocking and nails to support the post during installation of concrete

Mark the center of the hole to be dug. The center of the post is shown in the chart below (Hole Center).



Model	Hole Center	Dim. "A"	Dia. "D"
FRONT MOUNT			
GN35 & GNA35	3'-0 1/4"	9'-6 3/4"	2'-0"
GN45 & GNA45	4'-2"	9'-6 1/4"	2'-0"
GN45-5 & GNA45-5	5'-2"	9'-6 1/4"	2'-0"
GN60	6'-2 1/2"	9'-5 3/4"	3'-0"
REAR MOUNT			
GN35R & GNA35R	3'-1 1/2"	9'-9 1/2"	2'-0"
GN45R & GNA45R	4'-2 3/4"	9'-9"	2'-0"
GN45-5R & GNA45-5R	5'-2 3/4"	9'-9"	2'-0"
GN60R	6'-3 1/4"	9'-8 1/2"	3'-0"

Note:

1. The "Hole Center" dimension will vary +/- 1/2" based on the backboard selection. When distance from post to Face of Backboard requires accuracy better than +/- 1/2", measure the actual post extension and the backboard thickness before placing the post.
2. Dim "A" is based on a goal with top mounting hole at 1" below the 10' goal height for front mount and lower mounting hole 1 1/2" above goal for rear mount models. This dimension may vary slightly with goal selected.
3. High wind load locations may specify deeper concrete foundation as required by location and soil type.

Dig a hole a minimum of minimum diameter "D" and 48" deep minimum.

Place bricks or large rocks in the center of the hole to support the post at the correct height. Brace and support the post to hold it plumb and maintain height "A" from the bottom of the gooseneck to the playing surface.

NOTE: This dimension is critical to maintain a 10' playing height when the goal is installed.

Mix concrete and pour into hole and around the post to fill the hole. Slope concrete away from the post to provide drainage.

Allow concrete to set before attempting to install board and goal.

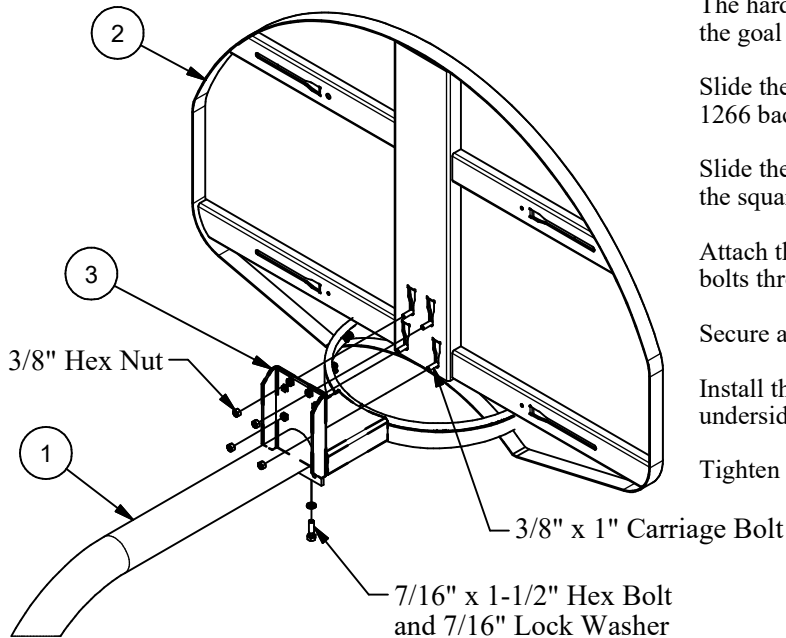
Installation and Assembly Instructions



Gared Holdings, LLC
9200 E. 146th St.
Noblesville, IN 46060

GOOSNECK BACKBOARD SYSTEM			
FILE LOC. Q:\Inventor Files\			
DATE	SHT. NO.	PART NO.	REV
9/23/2015	5 OF 10	401754473	G

1266 or 1266B Backboard & 66T or 266 Goal Installation



The hardware for mounting the backboard and goal is supplied with the goal and is not part of the parts list on page 2.

Slide the head of the 3/8" x 1" carriage bolts into the slots on the 1266 backboard.

Slide the backboard onto the goal with the carriage bolts through the square holes on the goal.

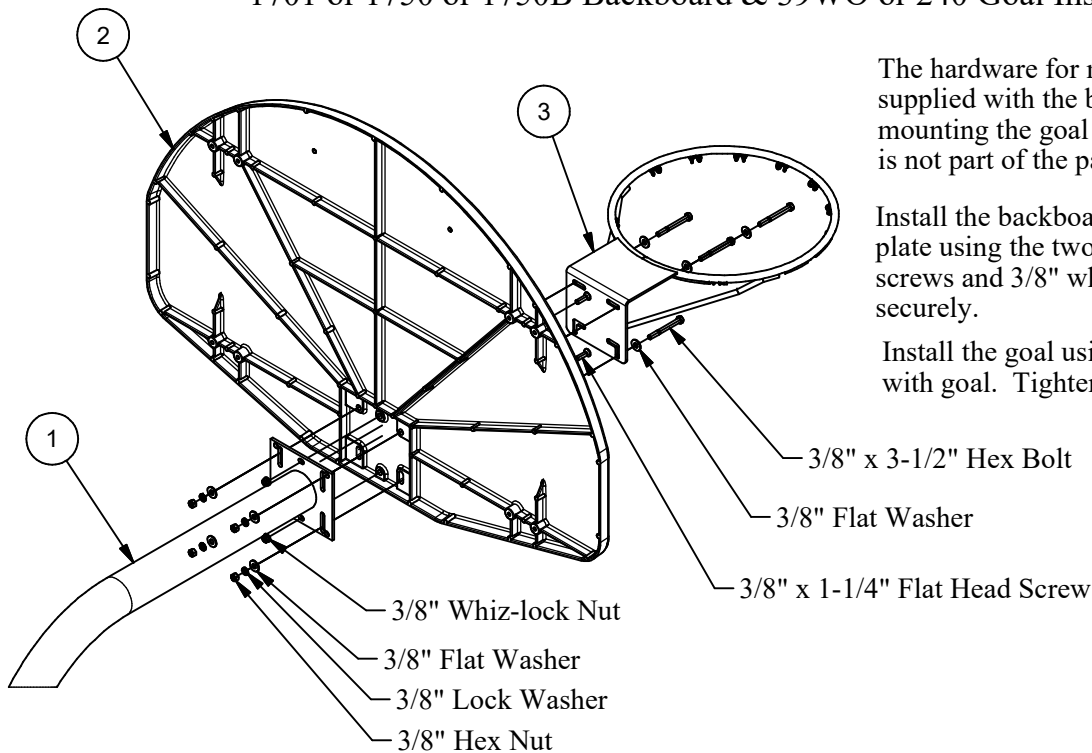
Attach the board and goal to the post by sliding the carriage bolts through the holes on the post mounting plate.

Secure all four bolts with the 3/8" nuts.

Install the 7/16" x 1-1/2" hex bolt and lock washer on the underside of the goal into the backboard.

Tighten all bolts and nuts.

1701 or 1750 or 1750B Backboard & 39WO or 240 Goal Installation



The hardware for mounting the backboard is supplied with the backboard and hardware for mounting the goal is supplied with the goal and is not part of the parts list on page 2.

Install the backboard onto the post mounting plate using the two 3/8" x 1-1/4" flat head screws and 3/8" whiz-lock nuts. Tighten securely.

Install the goal using the hardware supplied with goal. Tighten all bolts securely.

Installation and Assembly Instructions



Gared Holdings, LLC
9200 E. 146th St.
Noblesville, IN 46060

GOOSNECK BACKBOARD SYSTEM

FILE LOC. Q:\Inventor Files\

DATE

9/23/2015

SHT. NO.

6 OF 10

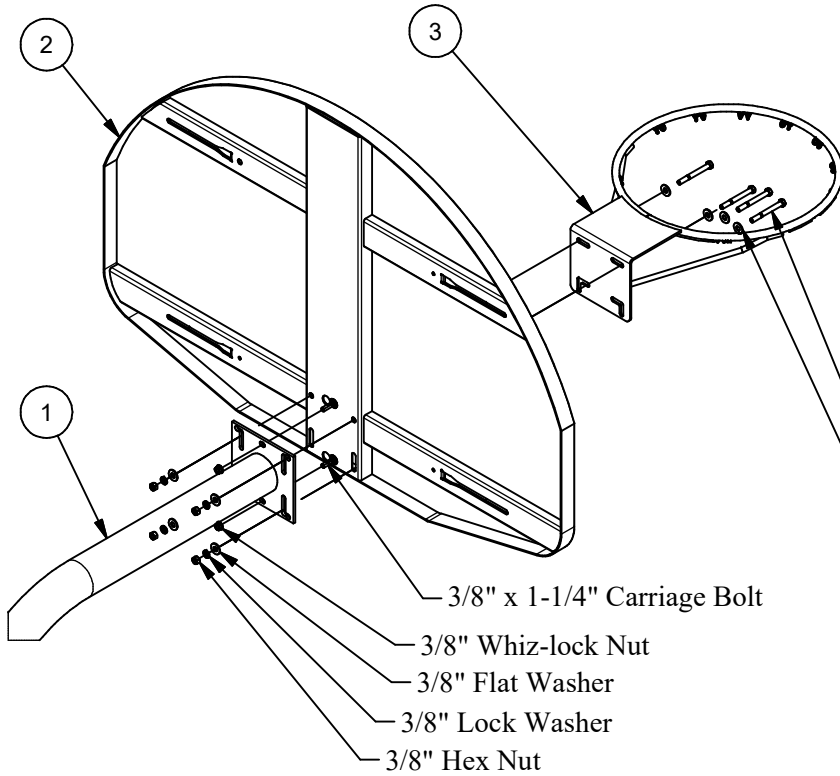
PART NO.

401754473

REV

G

1245T & 39WO or 240 Goal Installation



The hardware for mounting the backboard is supplied with the backboard and hardware for mounting the goal is supplied with the goal and is not part of the parts list on page 2.

Install the backboard onto the post mounting plate using the two 3/8" x 1-1/4" carriage bolts and 3/8" whiz-lock nuts. Tighten securely.

Install the goal using the hardware supplied with goal. Tighten all bolts securely.

3/8" x 3-1/2" Hex Bolt

3/8" Flat Washer

3/8" x 1-1/4" Carriage Bolt

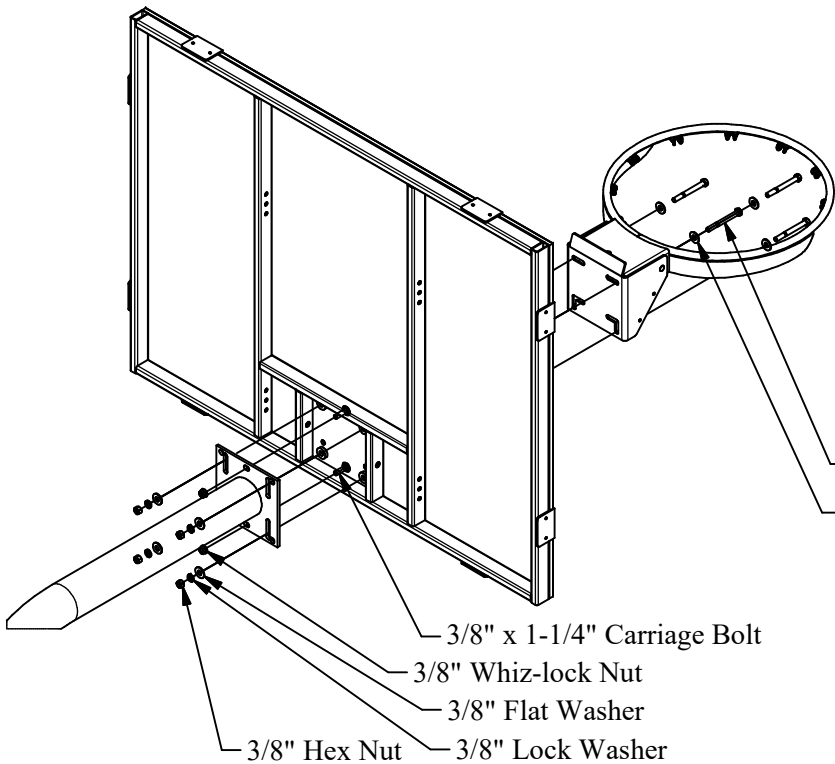
3/8" Whiz-lock Nut

3/8" Flat Washer

3/8" Lock Washer

3/8" Hex Nut

BB48A38 or BB60A38 GOAL



The hardware for mounting the backboard is supplied with the backboard and hardware for mounting the goal is supplied with the goal and is not part of the parts list on page 2.

Install the backboard onto the post mounting plate using the two 3/8" x 1-1/4" carriage bolts and 3/8" whiz-lock nuts. Tighten securely.

Install the goal using the hardware supplied with goal. Tighten all bolts securely.

3/8" x 3-1/2" Hex Bolt

3/8" Flat Washer

3/8" x 1-1/4" Carriage Bolt

3/8" Whiz-lock Nut

3/8" Flat Washer

3/8" Hex Nut

3/8" Lock Washer

Installation and Assembly Instructions



Gared Holdings, LLC
9200 E. 146th St.
Noblesville, IN 46060

GOOSNECK BACKBOARD SYSTEM

FILE LOC. Q:\Inventor Files\

DATE

9/23/2015

SHT. NO.

7 OF 10

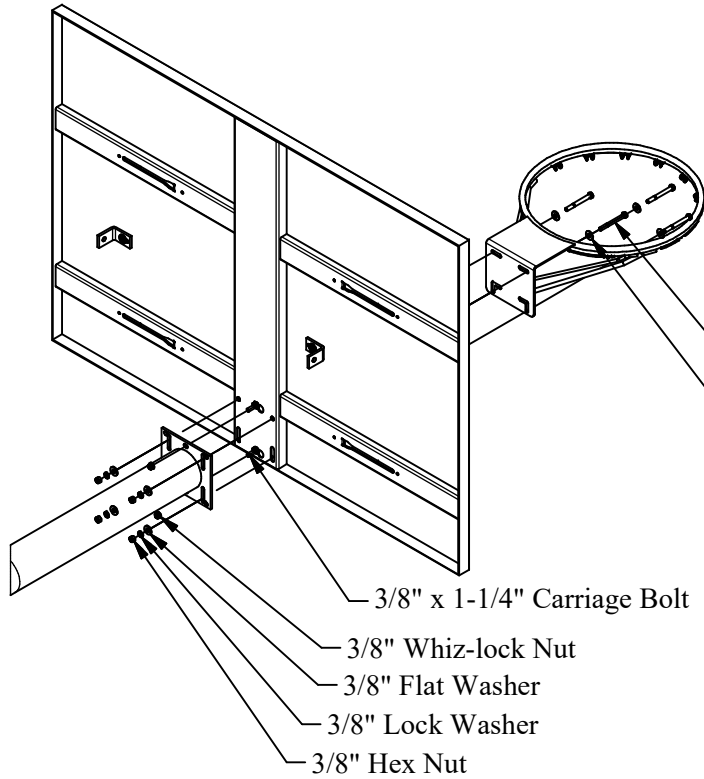
PART NO.

401754473

REV

G

1260 or 1260B or 1272B & 240 OR 7550 GOAL



The hardware for mounting the backboard is supplied with the backboard and hardware for mounting the goal is supplied with the goal and is not part of the parts list on page 2.

Install the backboard onto the post mounting plate using the two 3/8" x 1-1/4" carriage bolts and 3/8" whiz-lock nuts. Tighten securely.

Install the goal using the hardware supplied with goal. Tighten all bolts securely.

3/8" x 3-1/2" Hex Bolt

3/8" Flat Washer

3/8" x 1-1/4" Carriage Bolt

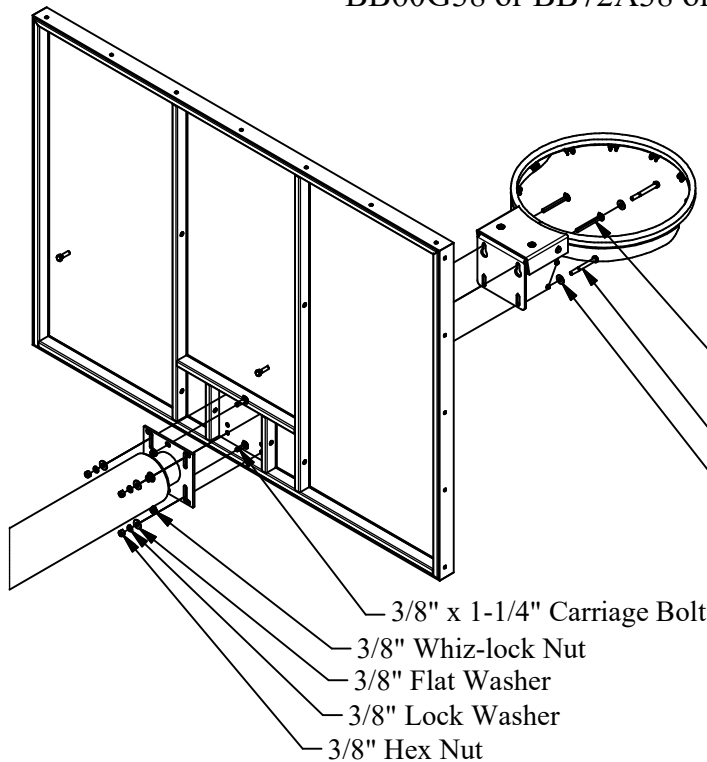
3/8" Whiz-lock Nut

3/8" Flat Washer

3/8" Lock Washer

3/8" Hex Nut

BB60G38 or BB72A38 or BB72G50 & 5500 GOAL



The hardware for mounting the backboard is supplied with the backboard and hardware for mounting the goal is supplied with the goal and is not part of the parts list on page 2.

Install the backboard onto the post mounting plate using the two 3/8" x 1-1/4" carriage bolts and 3/8" whiz-lock nuts. Tighten securely.

Install the goal using the hardware supplied with goal. Tighten all bolts securely.

3/8" x 3-1/2" Carriage Bolt

3/8" x 3-1/2" Hex Bolt

3/8" Flat Washer

3/8" x 1-1/4" Carriage Bolt

3/8" Whiz-lock Nut

3/8" Flat Washer

3/8" Lock Washer

3/8" Hex Nut

The top two goal bolts are the carriage bolts and the bottom two bolts are the hex bolts and flat washers

Installation and Assembly Instructions



Gared Holdings, LLC
9200 E. 146th St.
Noblesville, IN 46060

GOOSNECK BACKBOARD SYSTEM

FILE LOC. Q:\Inventor Files\

DATE

9/23/2015

SHT. NO.

8 OF 10

PART NO.

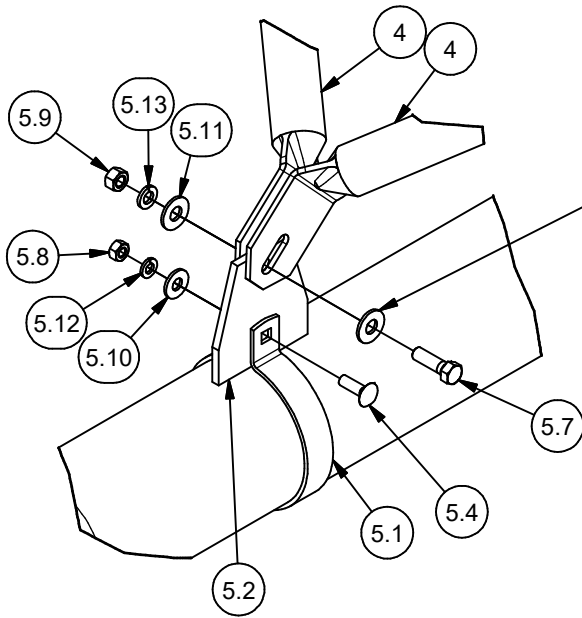
401754473

REV

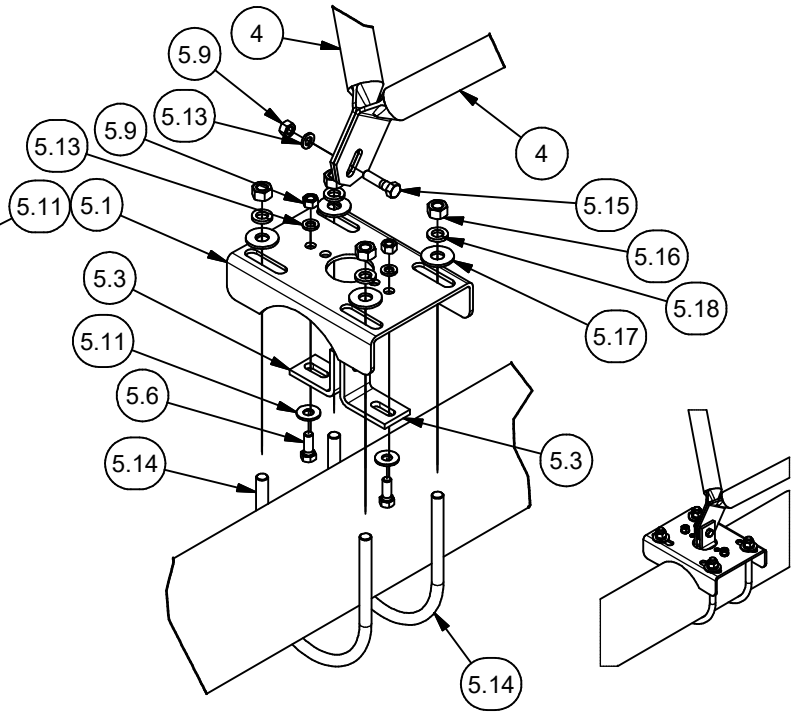
G

The following illustrations and instructions apply ONLY to the GN models. The GNA models DO NOT require braces.

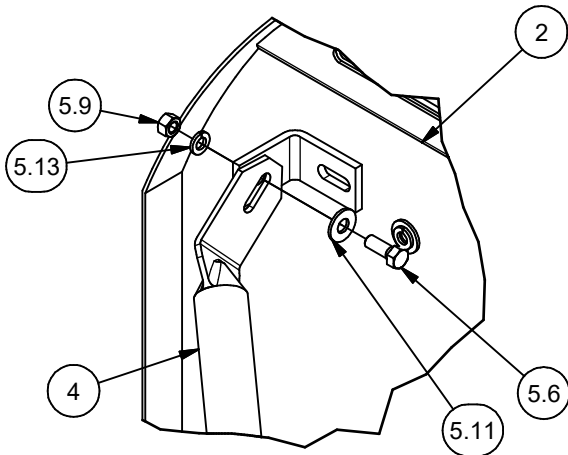
**GN35 and GN45
Brace to Post Attachment**



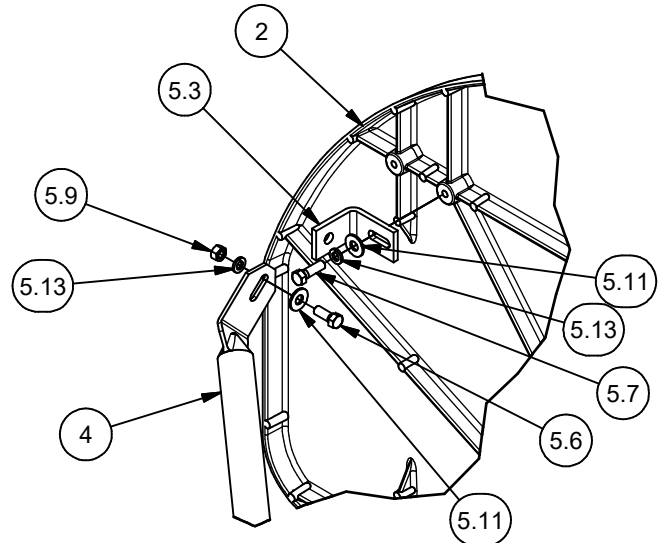
**GN60, GN60-4, GN60-5
Brace to Post Attachment**



**Fan or Rectangular Steel Backboard
Brace to Backboard Attachment**



**Fan Aluminum
Brace to Backboard Attachment**



Installation and Assembly Instructions



Gared Holdings, LLC
9200 E. 146th St.
Noblesville, IN 46060

GOOSNECK BACKBOARD SYSTEM

FILE LOC. Q:\Inventor Files\

DATE

9/23/2015

SHT. NO.

9 OF 10

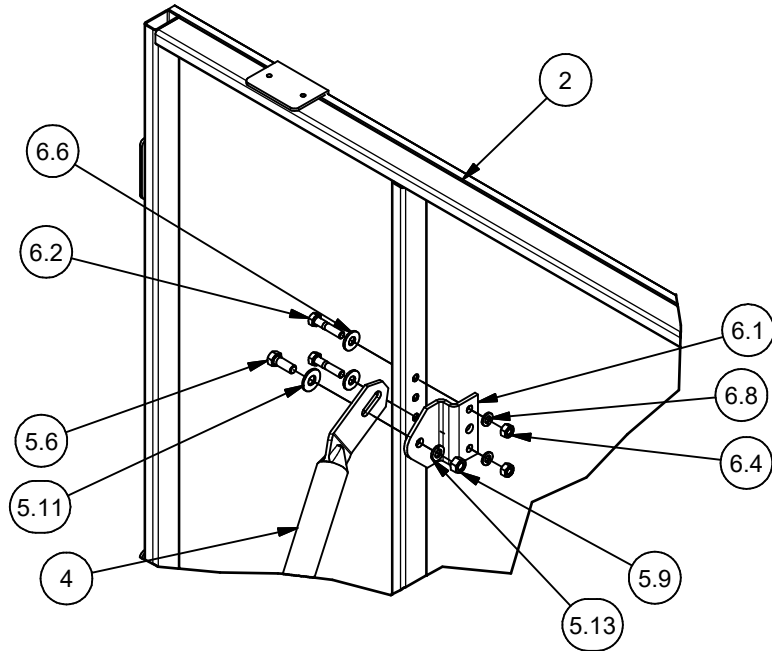
PART NO.

401754473

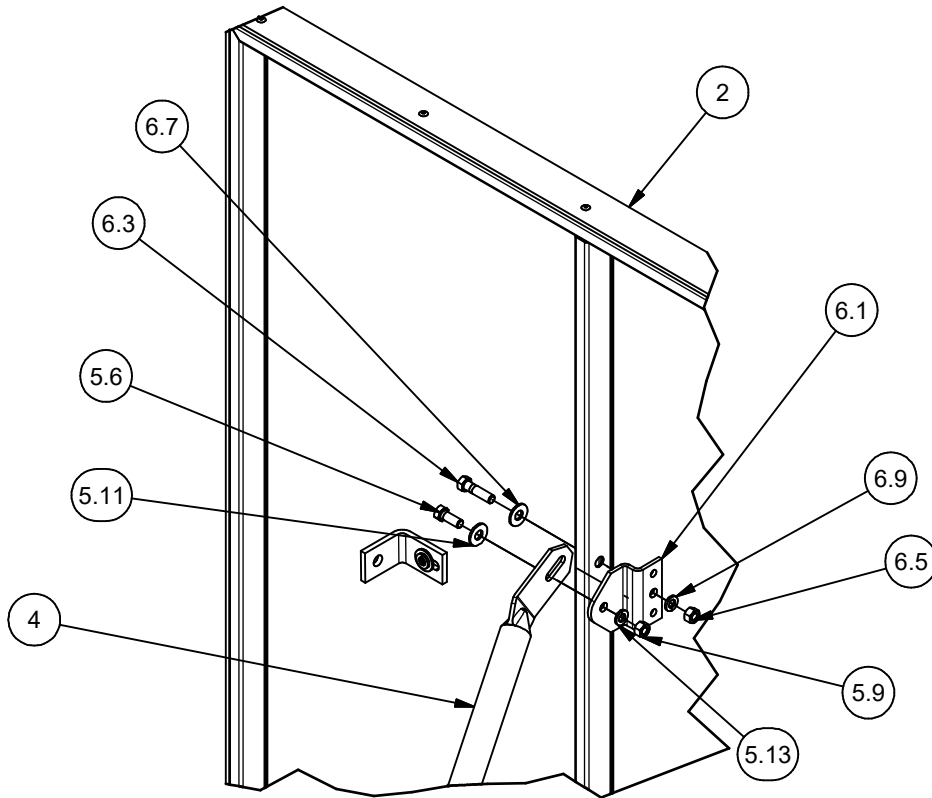
REV

G

BB48A38
Brace to Backboard Attachment



BB60A38 or BB60G38 or BB72A38 or BB72G50
Brace to Backboard Attachment



Installation and Assembly Instructions



Gared Holdings, LLC
9200 E. 146th St.
Noblesville, IN 46060

GOOSNECK BACKBOARD SYSTEM

FILE LOC. Q:\Inventor Files\

DATE

9/23/2015

SHT. NO.

10 OF 10

PART NO.

401754473

REV

G