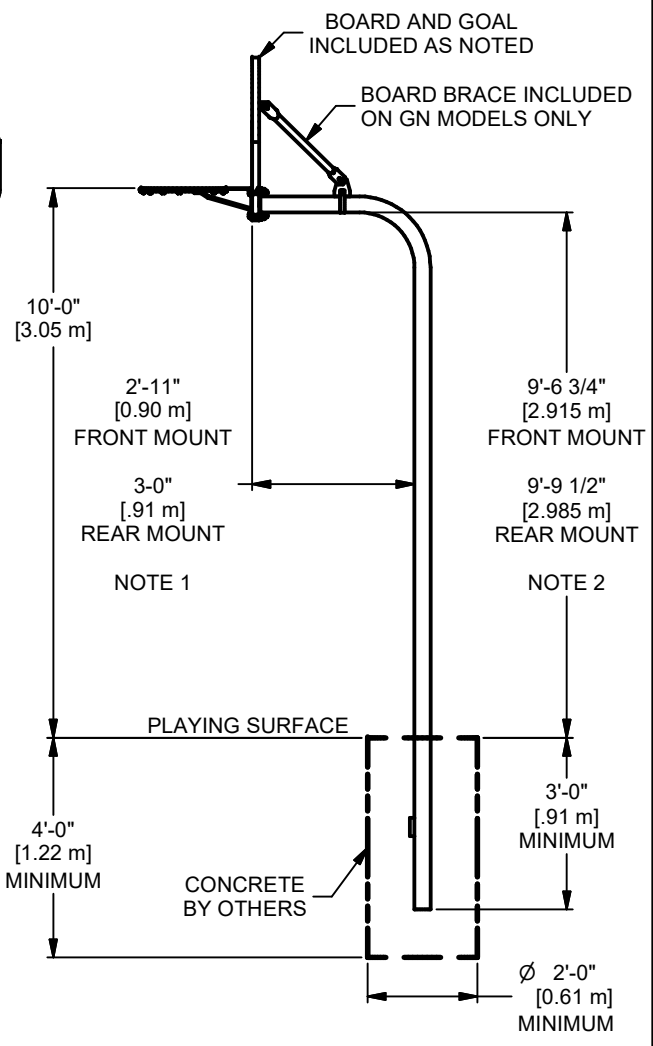
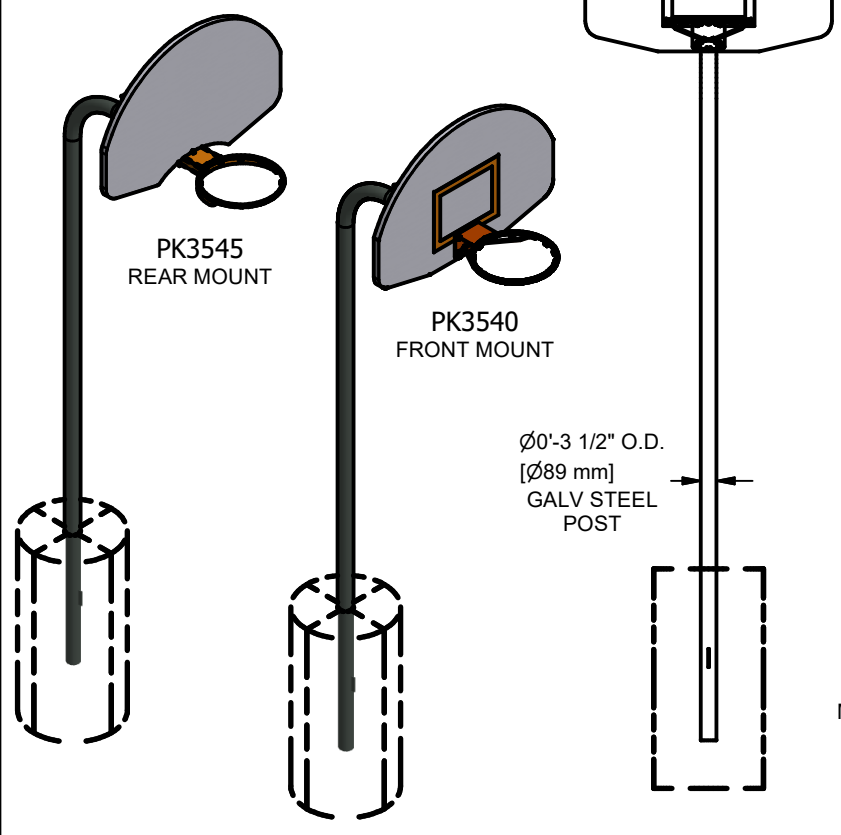


Package	Type	Board	Goal	Brace
PK3505	Front	1701	39WO	None
PK3510	Front	1750	39WO	None
PK3515	Rear	1266	66T	None
PK3530	Front	BB48A38	5500	Yes
PK3535	Front	1750B	39WO	Yes
PK3540	Front	1245T	39WO	Yes
PK3545	Rear	1266	66T	Yes
GNA35	Front	None	None	None
GNA35R	Rear	None	None	None
GN35	Front	None	None	Yes*
GN35R	Rear	None	None	Yes*

\* Braces are for "fan style" mounts only.

NOTES:

1. DIMENSION IS FROM FRONT SURFACE OF POST TO FRONT FACE OF BACKBOARD. DIMENSION MAY VARY WITH BOARD SELECTION.
2. DIMENSION IS FROM UNDERSIDE OF POST ARM SURFACE TO THE PLAYING SURFACE.



C	MJP	03-22-21
B	WDC	06-01-20
A	WDC	09-11-17
REV	BY	DATE

**PSS**  
PERFORMANCE  
SPORTS SYSTEMS

**G**  
GARED™

Gared Holdings, LLC  
9200 E. 146th St. Noblesville, IN 46060

THIS DOCUMENT CONTAINS TRADE SECRET AND OTHER MATERIALS WHICH ARE PROTECTED BY CONFIDENTIALITY NOTICE AND AGREEMENT AND BY COPYRIGHT. ANY USE OR COPYING OF THIS DOCUMENT EXCEPT AS AUTHORIZED BY GARED HOLDINGS, LLC IS STRICTLY PROHIBITED.

GOOSENECK SYSTEM, 3 1/2", 3 FT EXT.

DRAWN	CROSBY	DATE	9/12/2017	DATE ISSUED
APPROVED	CROSBY	DATE		

FILE LOC. Q:\Inventor Files\Specification Files\06\_Outdoor

SIZE	SCALE	SHT. NO.	PART NO.	REV
A	NONE	1 OF 2	GN35	C



### MODEL GN35 & GN35R

#### **GOOSENECK OUTDOOR BASKETBALL SYSTEM W/ BRACES**

##### **GN35 / GN35R**

This unit uses a gooseneck design to extend the backboard 36" out from the post. The post shall be 3 1/2" O.D. x 0.160" wall galvanized tube. The mounting plate is used as a direct goal attachment for the backboard. Two braces extending from the upper mounting points of the backboard to the gooseneck extension provide added rigidity to the system. The GN35 system can be used with all outdoor front mount and the GN35R system with rear mount boards and goals.

Post shall extend into the concrete footing at least 36". Concrete footing shall be 24" minimum in diameter and 48" minimum deep.

**Concrete for installation not included.**

### MODEL GNA35 & GNA35R

#### **GOOSENECK OUTDOOR BASKETBALL SYSTEM**

##### **GNA35 / GNA35R**

This unit uses a gooseneck design to extend the backboard 36" out from the post. The post shall be 3 1/2" O.D. x 0.160" wall galvanized tube. The mounting plate is used as a direct goal attachment for the backboard. The GNA35 system can be used with all outdoor front mount and the GNA35R system with rear mount boards and goals.

Post shall extend into the concrete footing at least 36". Concrete footing shall be 24" minimum in diameter and 48" minimum deep.

**Concrete for installation not included.**

##### **NOTE:**

If board is greater than 36" wide, use the GN35 or GN35R model with board braces.

##### **ACCESSORIES**

PP4WR Wrap-Around Pole Pad