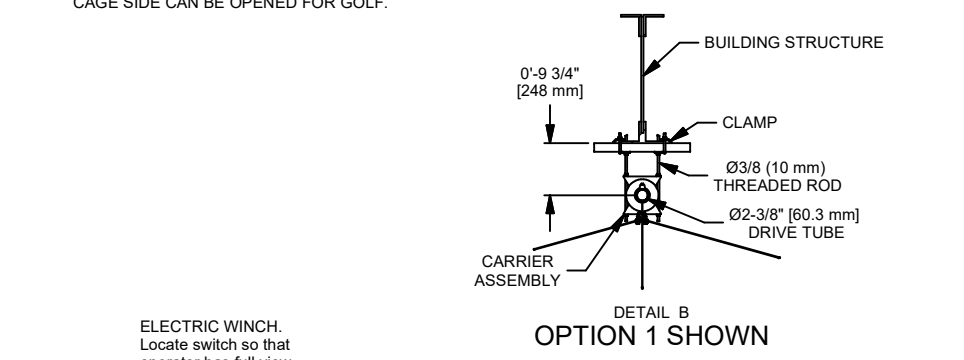
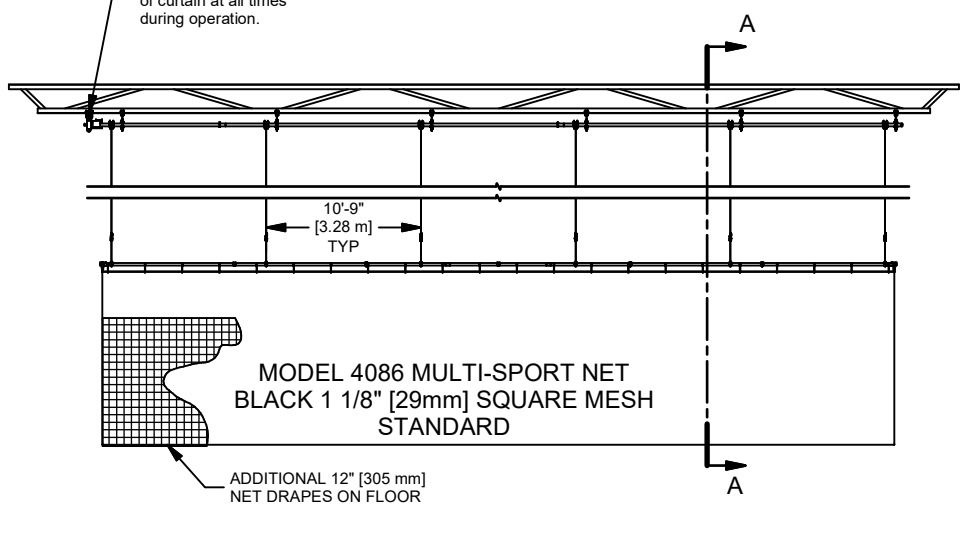


36" [914 mm] OVERLAPPED NETTING FOR CORNER ENTRANCE AT BOTH ENDS. CAGE SIDE CAN BE OPENED FOR GOLF.



ELECTRIC WINCH. Locate switch so that operator has full view of curtain at all times during operation.



D	MJP	03-22-21
C	WDC	03-10-20
B	WDC	05-17-18
A	JJC	10/31/17
REV	BY	DATE

THIS DOCUMENT CONTAINS TRADE SECRET AND OTHER MATERIALS WHICH ARE PROTECTED BY CONFIDENTIALITY NOTICE AND AGREEMENT AND BY COPYRIGHT. ANY USE OR COPYING OF THIS DOCUMENT EXCEPT AS AUTHORIZED BY GARED HOLDINGS, LLC IS STRICTLY PROHIBITED.

**MULTI-SPORT CAGE, 12x12x55' LONG**

DRAWN	CONNERLEY	DATE	1/5/2012	DATE ISSUED
APPROVED		DATE		
FILE LOC. Q:\Inventor Files\Specification Files\10_Curtains\				
SIZE	SCALE	SHT. NO.	PART NO.	REV
A	NONE	1 OF 2	4080-55	D



## MODEL 4080-55

### **MULTI-SPORT CAGE**

#### **OVERHEAD SUPERSTRUCTURE**

The model 4080-55 multi-sport cage is supported from the roof structure by directly attaching to the underneath side of the roof truss or by attaching to Uni-strut, 4/O Chain, or 3 ½" [90 mm] O.D. horizontal and 2 3/8" [60 mm] O.D. vertical structural tubing supplied. Bridge pipe will be required when truss spans exceed 14' [4.27 m]. Superstructure shall be furnished with standard black powder coat finish. Optional colors available.

#### **NET MATERIAL**

Cage net shall be model 4086, 12'-0" [3.66 m] high x 12'-0" [3.66 m] wide by 55' [16.8 m] long. An additional 12" [305 mm] of net shall drape on the floor preventing balls from going under the cage. Net shall be constructed with black knotted polyethylene with 1 1/8" [29mm] square mesh and shall be capable of stopping a baseball, softball and golf ball. Entrance shall be through an overlapping net opening on each end. This feature shall allow one sidewall to be opened for use as a golf cage. Contact factory for special sizes and materials.

#### **DRIVE / SUPPORT STRUCTURE**

The model 4080-55 Multi-Sport Cage shall be operated by an electric curtain hoist. Hoist is available in various voltages and frequencies. Hoist shall be driven by an instant reversing, electric gear-motor that is controlled with a key switch and integral limit switches. "OPTION 2" shall require a larger motor and gearbox than "OPTION 1" due to higher torque requirements.

Curtain hoist shall drive a continuous 2-3/8"[60 mm] O.D. drive shaft. The cage shall be lifted by means of 1/8" [3 mm] galvanized aircraft cable rated at 2000 lbs [907 kg] breaking strength. Lift cables shall be spaced at no greater than 12'-0" [3.66 m] center to center. For "OPTION 1" each cable shall be taken up on individual aluminum spools located on the drive shaft. for "OPTION 2" each cable will be routed along edge of frame to pulley system, routing to a custom steel spool.

The drive shaft shall be supported by a carrier assembly spaced no greater than 12'-0" [3.66 m] center to center. The carrier shall consist of a formed bracket with two rubber wheels on which the drive shall rotate.

Cage support frame shall be constructed of 1.9" O.D. steel tubing. Support frame shall be furnished with standard black powder coat finish. Optional colors available. The support frame may be lowered to the floor while placing the four sides of netting on top of the frame to allow for compact storage.

The top of the cage net shall be suspended approximately 6" [152 mm] below the cage support frame.

#### **OPTIONAL ACCESSORIES**

- TSC Total System Controls
- 1199/1198 WIRELESS REMOTE
- 4015 ALARM KIT, AUDIBLE/STROBE 120V SGL
- 1108 CURTAIN LOCK

Subject to design change and current manufacturing practices.