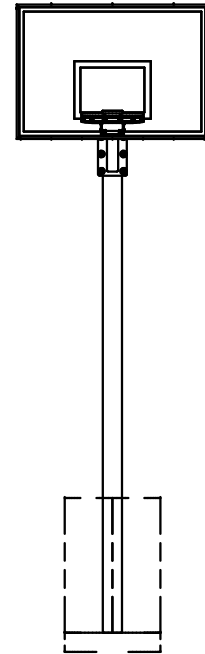
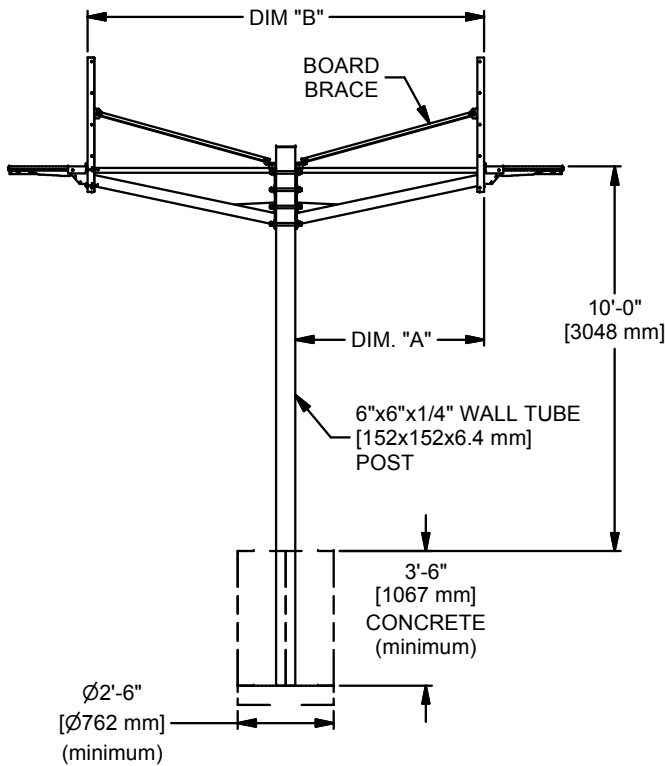
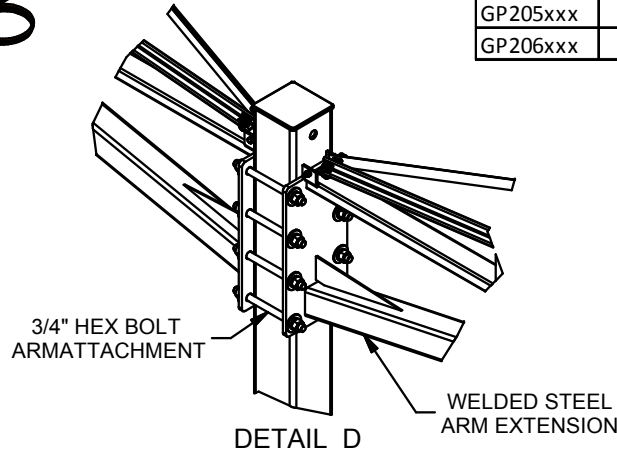


NOTES:

1. STEEL PARTS ARE BOTH GALVANIZED AND POWDER COATED BLACK. HARDWARE IS ZINC PLATED.
2. CONCRETE FOUNDATION SUPPLIED BY OTHERS. FOUNDATION SIZE SHOWN IS MINIMUM AND SHOULD BE REVIEWED USING LOCAL WIND LOADS AND SOIL CONDITIONS.

MODEL	Extension Dim "A"		Dim "B"	
	inch	meter	inch	meter
GP204xxx	47	1.19	100	2.54
GP205xxx	59	1.50	124	3.15
GP206xxx	71	1.80	148	3.76



THIS DOCUMENT CONTAINS TRADE SECRET AND OTHER MATERIALS WHICH ARE PROTECTED BY CONFIDENTIALITY NOTICE AND AGREEMENT AND BY COPYRIGHT. ANY USE OR COPYING OF THIS DOCUMENT EXCEPT AS AUTHORIZED BY GARED HOLDINGS, LLC IS STRICTLY PROHIBITED.

ENDURANCE PLAYGROUND DUAL BB SYSTEM

DRAWN CROSBY DATE 4/29/2020 DATE ISSUED

APPROVED DATE

FILE LOC. Q:\Inventor Files\Specification Files\06\_Outdoor Products

SIZE	SCALE	SHT. NO.	PART NO.	REV
A		1 OF 2	GP200	B



Gared Holdings, LLC  
 9200 E. 146th St. Noblesville, IN 46060

B	WDC	04-29-20
REV	BY	DATE



### MODEL GP200

## ENDURANCE® PLAYGROUND BASKETBALL SYSTEM DUAL BOARD AND GOAL

This unit is designed for use with regulation size aluminum frame glass, acrylic, polycarbonate or steel boards and breakaway or stationary goals.

Unit consists of a single main post with an extension arm on each side of the post connected with 3/4" diameter bolts. The board and goal mount to each extension arm and are braced the same as the GP100.

The post shall be 6" square with 1/4" wall, ASTM A500 GrB tubing. The extension arm is a triangular design using tubing welded to a heavy plate and connected to the vertical post with four 3/4" diameter "U" bolts. Two galvanized and powder coated braces, extending from the upper mounting points of the backboard to the vertical post and extension arm, provide added rigidity to the system. Post and extension arm is hot dip galvanized and then powder coated black for extended protection from corrosion.

See below for standard extension, backboard and goal combinations.

<b>Model</b>	<b>Extension Arm</b>	<b>Backboard</b>	<b>Goal</b>
<b>GP205</b>	<b>60"</b>	<b>none</b>	<b>none</b>
GP205S60	60"	Two 1260B Steel	8550 Endurance Fixed
GP205G60	60"	Two BB60G38 Glass	8800 Endurance Breakaway

### ACCESSORIES

PP6SQF Fitted Pole Pad, 6" Square

PP6WR Wrap-Around Pole Pad