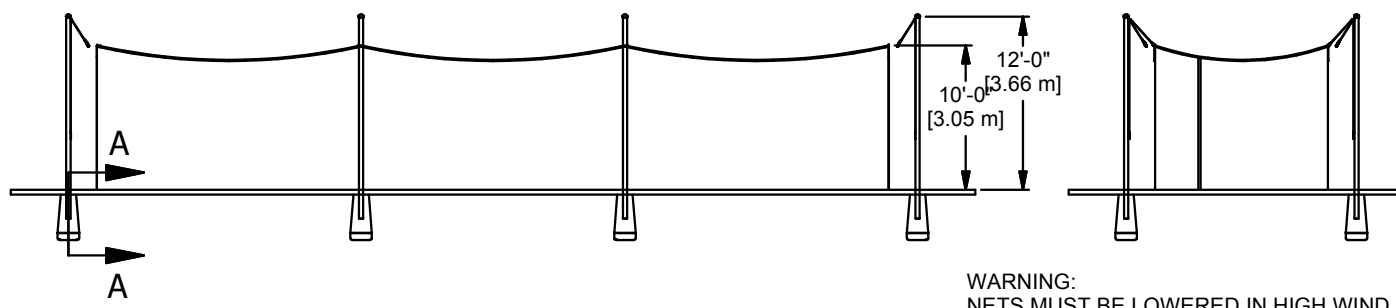
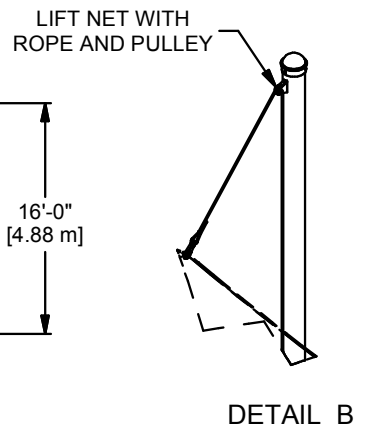
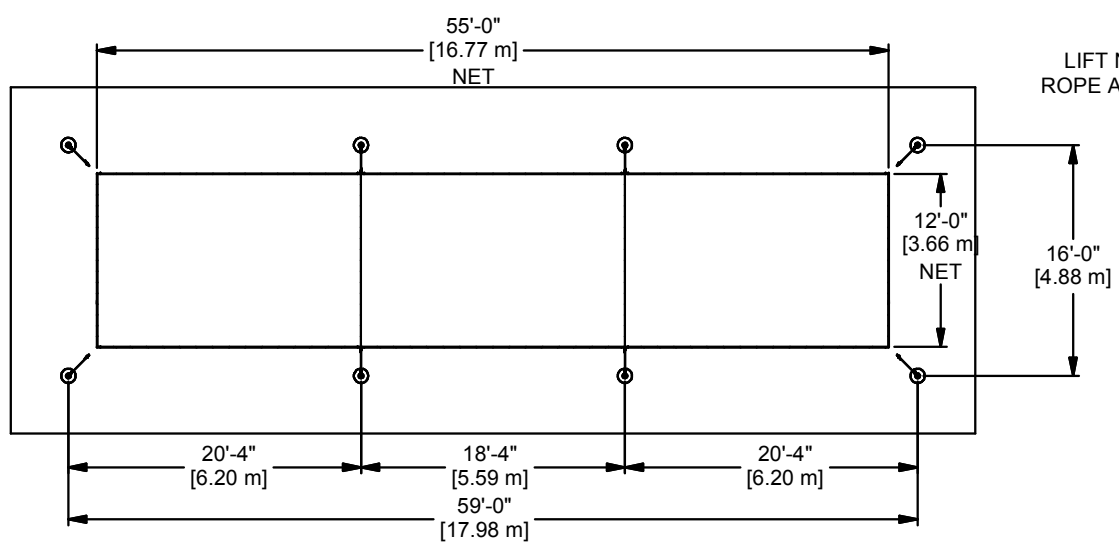
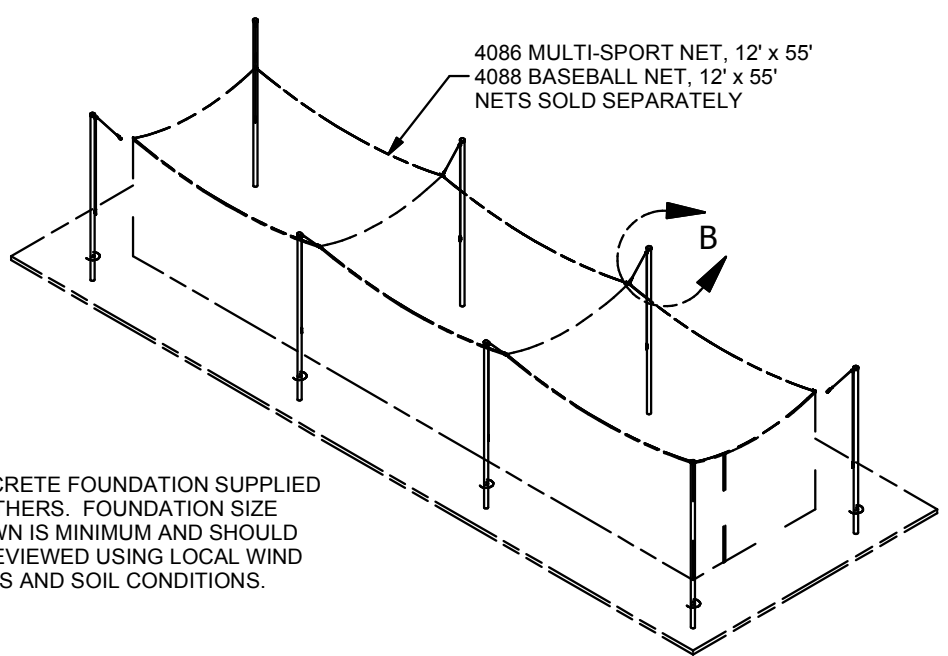


CONCRETE FOUNDATION SUPPLIED BY OTHERS. FOUNDATION SIZE SHOWN IS MINIMUM AND SHOULD BE REVIEWED USING LOCAL WIND LOADS AND SOIL CONDITIONS.



WARNING: NETS MUST BE LOWERED IN HIGH WIND OR ICING WEATHER CONDITIONS.

D	WDC	05-20-20
REV	BY	DATE

THIS DOCUMENT CONTAINS TRADE SECRET AND OTHER MATERIALS WHICH ARE PROTECTED BY CONFIDENTIALITY NOTICE AND AGREEMENT AND BY COPYRIGHT. ANY USE OR COPYING OF THIS DOCUMENT EXCEPT AS AUTHORIZED BY GARED HOLDINGS, LLC IS STRICTLY PROHIBITED.

OUTDOOR CAGE, 3.5" ALUM

DRAWN	CROSBY	DATE	5/20/2020	DATE ISSUED
APPROVED		DATE		
FILE LOC. Q:\Inventor Files\Specification Files\06_Outdoor Products				
SIZE	SCALE	SHT. NO.	PART NO.	REV
A		1 OF 2	4085-55	D



MODEL 4085-55

OUTDOOR MULTI-SPORT CAGE, 3.5" ALUM

The model 4085-55 is designed to support a 12' [3.66 m] x 55' [16.77 m] outdoor multi-sport cage for use as an addition to any baseball field, practice facility, training camp or driving range.

CONSTRUCTION

Net shall be supported by (8) 3.5" [89 mm] diameter 6061-T6 aluminum posts, 14' [4.27 m] long. Posts shall be equipped with a 1/4" [6.4 mm] rope and pulley to raise and lower net at each post location. Net may be lifted to a height of 10' [3.05 m] for play. Net ordered separately.

Posts shall be located approximately 2' [.61 m] from the edges of the net. Posts shall be capable of mounting permanently in reinforced concrete with a 2' [.61 m] embedment or may be sleeve mounted (sleeves supplied separately). Concrete foundation supplied by others.

ACCESSORIES

4086	NETTING, MULTI-SPORT CAGE 12'x55' (1 1/8" MESH)
4088	NETTING, BATTING CAGE 12'x55' (1 3/4" MESH)
401651320	SLEEVE, 3.5" I.D. 2' LONG
6826	CAP, 3.5" OUTDOOR VOLLEYBALL SLEEVE

WARNING:

NETS MUST BE LOWERED IN HIGH WIND OR ICING WEATHER CONDITIONS.