



QUICK CONNECT™ CART

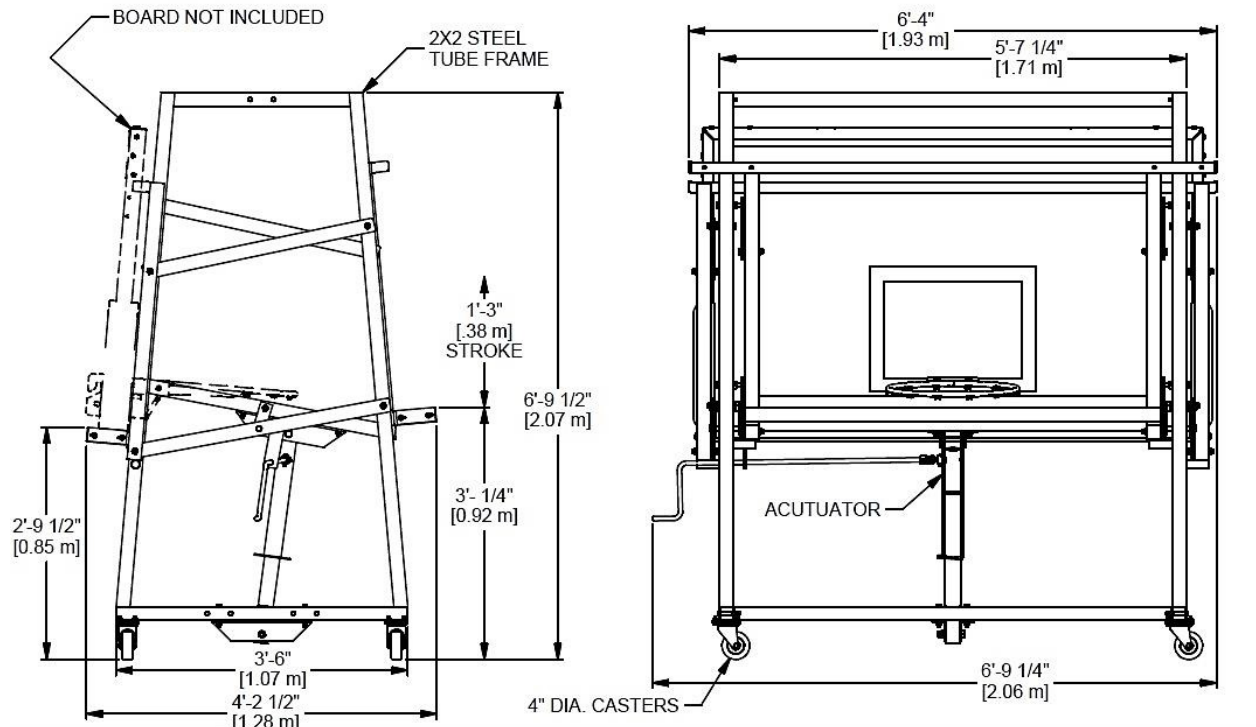
MODEL 9800





QUICK CONNECT™ CART

BASIC DIMENSIONS





QUICK CONNECT™ CART

The GARED® Quick Connect™ Cart is a specially designed cart which allows users to easily store or quickly transport glass backboards. Further, with use of the Quick Connect™ Cart, it provides users a mechanism to lift and simplify replacement of backboards in a faster and safer setting.

Model: 9800

Your new Quick Connect™ Cart frame is designed for heavy duty usage and manufactured with:

- Heavy duty square tubing to form a unitized frame
- Heavy gauge steel used to construct the lifting frame
- Lift actuator with capability of lifting up to 1,000 lbs
- Four (4) swivel casters for ease of movement
- Powder coated finish

Used with Quick Connect™ Mounting Plates (**sold separately*)

**The Quick Connect™ mounting plates are factory installed and must be purchase with the portable units.*

- 9806 Quick Connect™ Mounting Plate for Gared Pro S portables
- 9805 Quick Connect™ Mounting Plate for Gared Pro H portables
- 9804 Quick Connect™ Mounting Plate for Gared Hoopmaster®

Weight: 260 LBS (minus backboard)

Weight: 497 LBS (with one backboard)

Weight: 734 LBS (with two backboards)



QUICK CONNECT™ CART

-REMOVING BACKBOARD WITH GOAL-

Step by step instructions on removing a backboard with goal, from your GARED portable basketball units.

STEP ONE (1)

Lower and secure your basketball portable unit, to lowered position.

Reference the portable unit Operation, Installation and Maintenance manual, on how to lower unit.

STEP TWO (2)

Wheel the Quick Connect™ cart in front of portable unit



STEP THREE (3)

Position the cart under the portable unit until the backboard rests on the ledge of the cart. *Adjust the height of the cart by using the crank handle on the side of the cart*





QUICK CONNECT™ CART

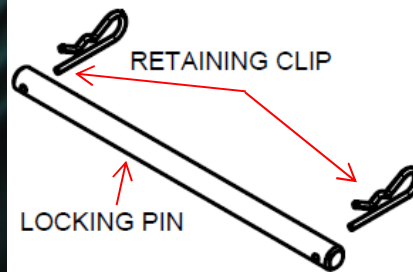
STEP FOUR (4)

On the portable unit, disconnect the upper braces from the backboard and rotate the braces out of the way.



STEP FIVE (5)

On the portable unit, remove the retaining clips and locking pin from the mounting plate(s)





QUICK CONNECT™ CART

STEP SIX (6)

While supporting the backboard, turn crank handle on the cart and raise it up until the backboard comes off the hinges



STEP SEVEN (7)

Lean backboard on cart until it is sitting securely on the ledge.



The Quick Connect™ Cart and backboard with rim can now be stored



QUICK CONNECT™ CART

-INSTALLING BACKBOARD WITH GOAL-

Step by step instructions on installing a backboard with goal, on your GARED portable basketball units.

STEP ONE (1)

Lower and secure your basketball portable unit, to lowered position.

Reference the portable unit Operation, Installation and Maintenance manual, on how to lower unit.

STEP TWO (2)

On the portable unit, make sure the upper braces are rotated out of the way for ease of installment.



STEP THREE (3)

While backboard is sitting securely on the ledge on Quick Connect™ Cart, wheel cart over to portable unit.





QUICK CONNECT™ CART

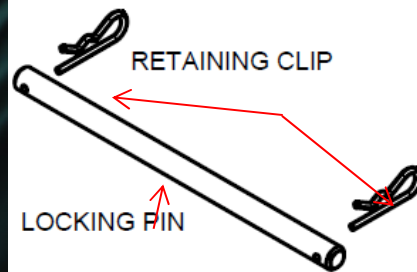
STEP FOUR (4)

While supporting the backboard, turn crank handle to raise cart up. The backboard mounting plate hinges need to slide over the coupling bracket (*which is factory installed on the portable unit*)



STEP FIVE (5)

Once the mounting brackets are in place, insert the locking pin and retaining clips.





QUICK CONNECT™ CART

STEP SIX (6)

On the portable unit, rotate upper braces and connect them to the backboard



STEP SEVEN (7)

After backboard is connect to portable unit, lower the cart by using the crank handle on the side of the cart



The Quick Connect™ Cart can be stored for future use