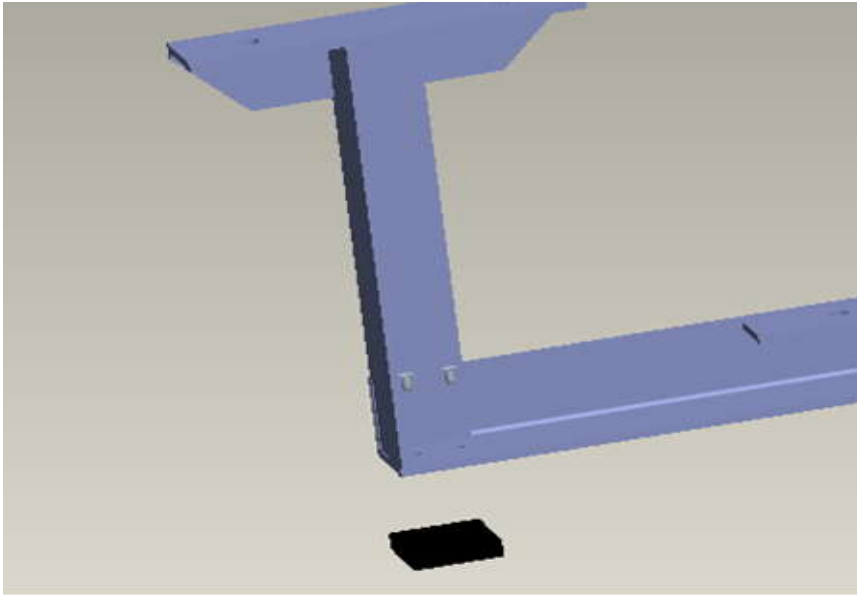
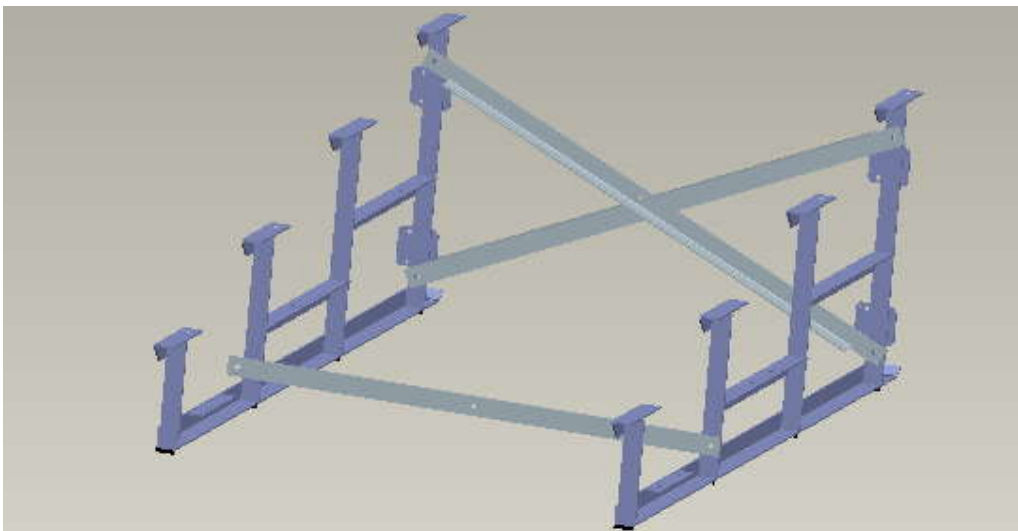


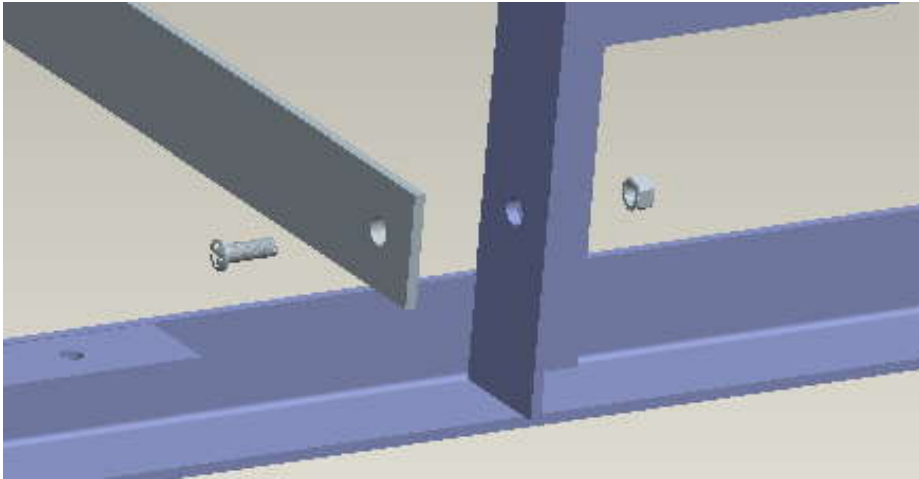
## Assembly Instruction for 4 Rows with Tip-N-Roll

1. Check for Rubber Feet factory installed.

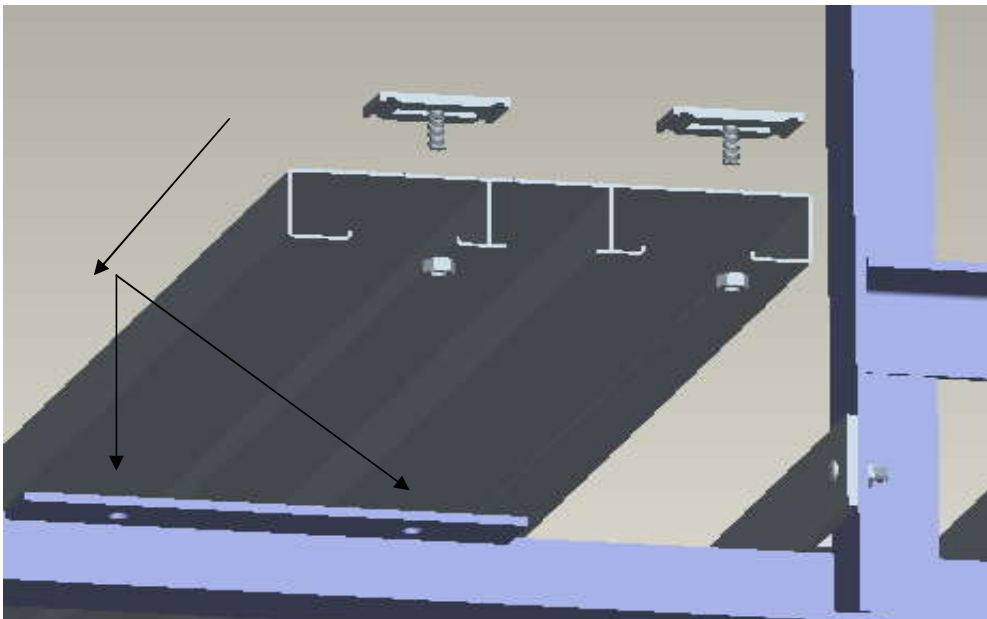
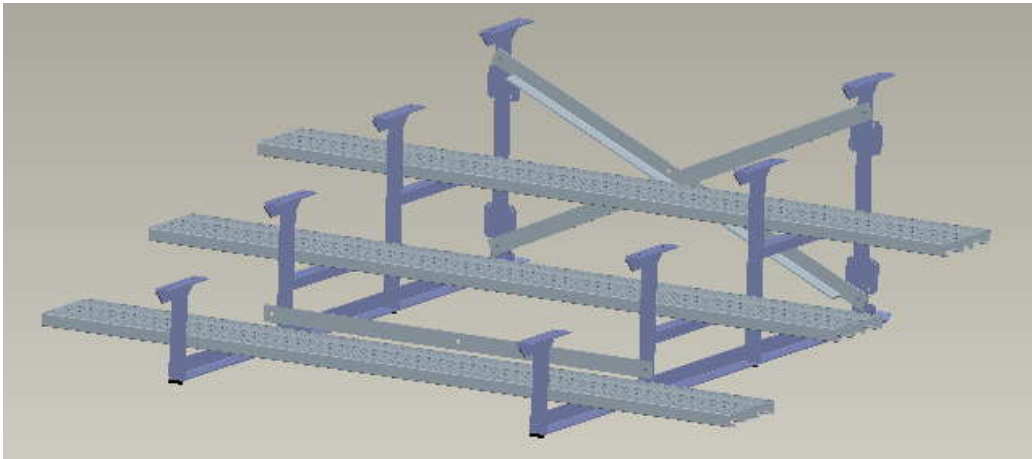


2. Install the crossing brace and horizontal brace. For 15' and 21', repeat for additional understructure. Be sure to attach bolt in the middle of cross braces.

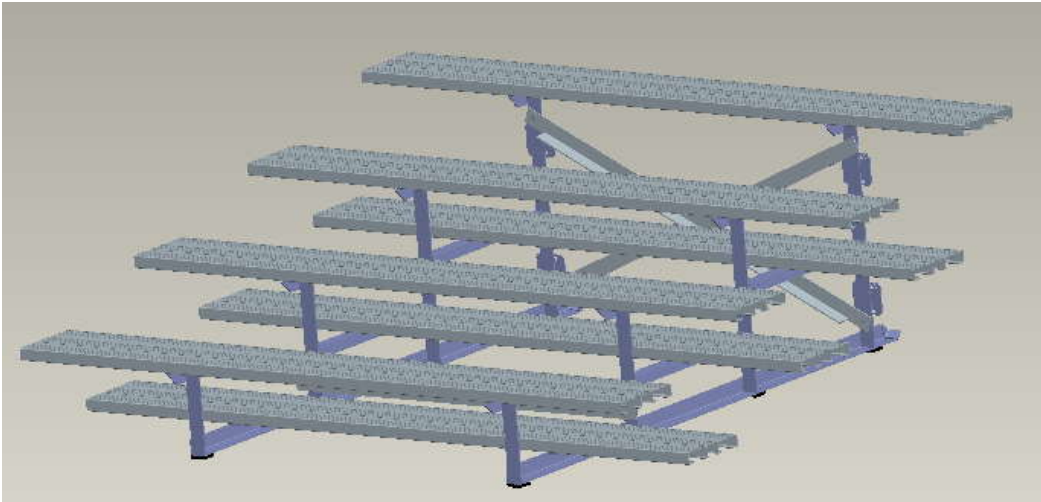




3. **Install the foot plank. Slide aluminum clips with carriage bolts into channels of the planks. Secure the nut to carriage bolt after attached to understructure frame. Note the grooves in aluminum clip should fit into legs of channel at the bottom of the plank.**



4. **Install the seat plank same as foot plank with aluminum clips.**



5. Install the swivel casters with four (4) bolts..

