



Model: 8001-8001R
Skymaster® Volleyball System



Installation, Operation and Maintenance Instructions

Please read all instructions before attempting installation or operation of these units

SAVE THESE INSTRUCTIONS FOR FUTURE USE

PUBLICATION No.
6 0 1 7 5 5 4 8 5



Ceiling Suspended Volleyball System



Table of Contents

<u>Section</u>	<u>Page No.</u>
Introduction	2
Parts Checklist	2
Installation and Setup Instructions	3-11
Padding Details	12-14
Maintenance	14



Ceiling Suspended Volleyball System



Introduction

Thank you for your purchase of a Gared Sports Skymaster® Volleyball System. To ensure that our equipment will provide years of use to you, we are including this installation, operation, and maintenance guide. This guide will provide information on the proper assembly and installation methods, operating procedures, and preventative maintenance of your ceiling suspended volleyball system.

Please note that a Bill of Materials is being included with this guide. Please check that all of the parts called out on the Bill of Materials are present prior to beginning assembly and setup. Please do not substitute for factory parts. Please contact the PSS or Gared Sports customer service department and allow them to determine if substitute parts are acceptable.

It is recommended that an individual who has been properly trained perform assembly and set up of the volleyball system. No one under the age of 18 should attempt assembly or set up of the unit, unless properly supervised.

To prevent normal wear and tear from shortening the life of the unit, preventative maintenance inspections and repairs should be performed at least once per year. If the units are subject to high or unusual usage, inspections should be scheduled to occur more frequently. If items are found to be nonconforming, replacements can be ordered from PSS, Gared Sports, or one of our authorized dealers. When contacting PSS or Gared Sports, please have information regarding the dealer/installer who sold the unit, the name of the project, and any applicable warranty information.

Before proceeding with assembly, read all instructions and assembly procedures. Make sure all parts have been received and are not damaged.

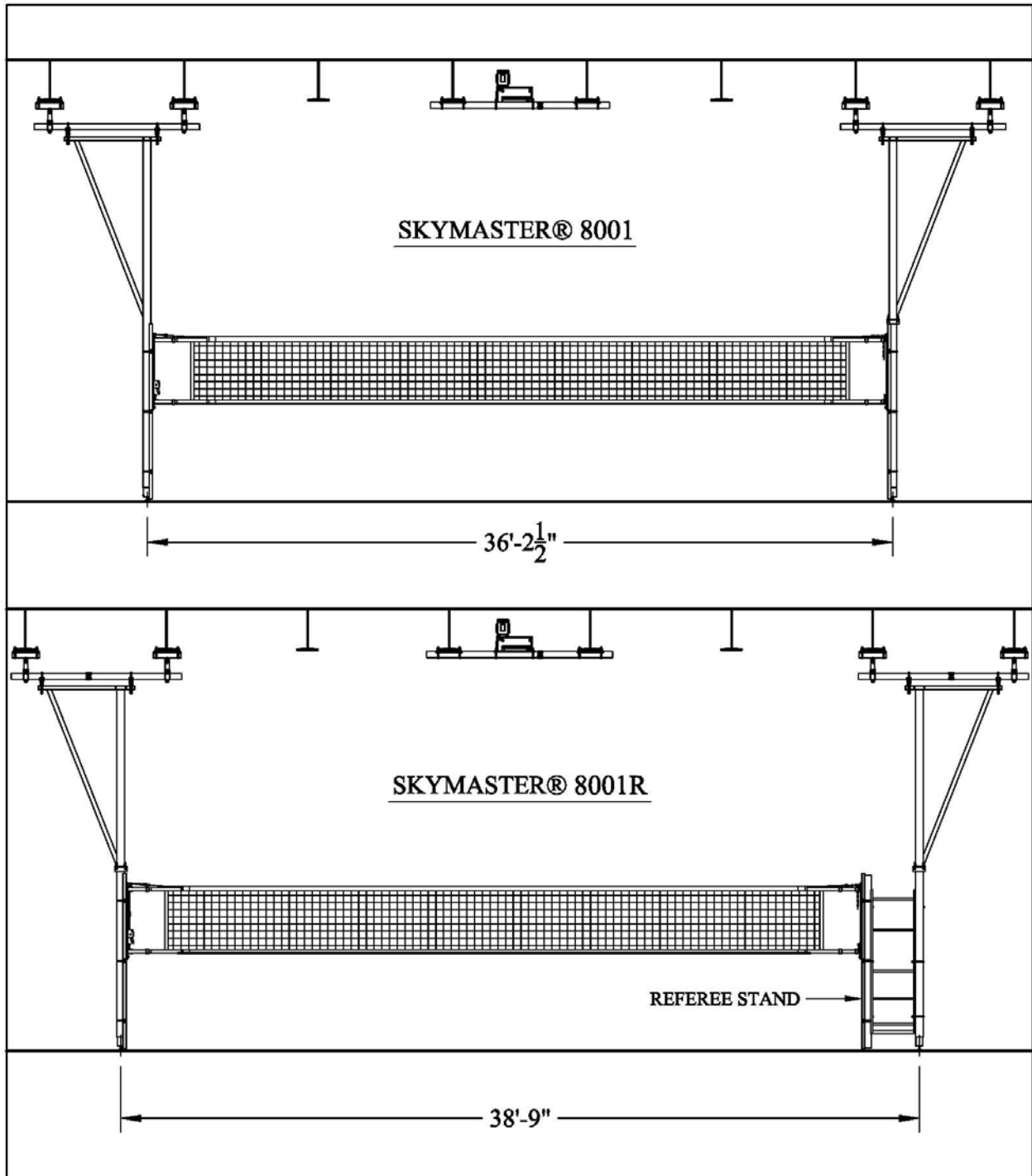
Major Parts and Sub-Assemblies

Item	Part Number	Description	Qty
1	8194	HOIST, TORK DOUBLE DRUM	1
2	1100	SAFESTOP SAFETY LOCKING STRAP	2
3	601652490	OVERHEAD VOLLEYBALL MAST	2
4	151652710	KIT, PULL UP FOR CEILING SUSPENDED VB	2
5	601652712	INSERT, GROSS ADJUSTMENT TUBE	2
6	604651217	ADJUSTING PAD ASSEMBLY	2
7	1028-22-00	NET ANTENNA	2
8	601652115	NET, VOLLEYBALL COMPETITION QUALITY	1
9	601652550	EXTRUSION, VOLLEYBALL POST HALF	2
10	601652720	CLAMP, VB POST TO MAST, STAINLESS STEEL	6
11	601652728	EDGE TRIM, CEILING VOLLEYBALL RAIL POST	32 ft.
12	604552249	7200 END POST RAIL ASSEMBLY	1
13	604553795	7200 WINCH RAIL ASSEMBLY, 8FT STRAP	1
14	6010	UPRIGHT PAD, CUSTOM COLOR	2
15	601652753	REFEREE STAND (8001R)	1
16	601652817	REF STAND PIPE (8001R)	2

Contact Gared Customer Service at 800-325-2682 for assistance with replacement of any parts missing or damaged.

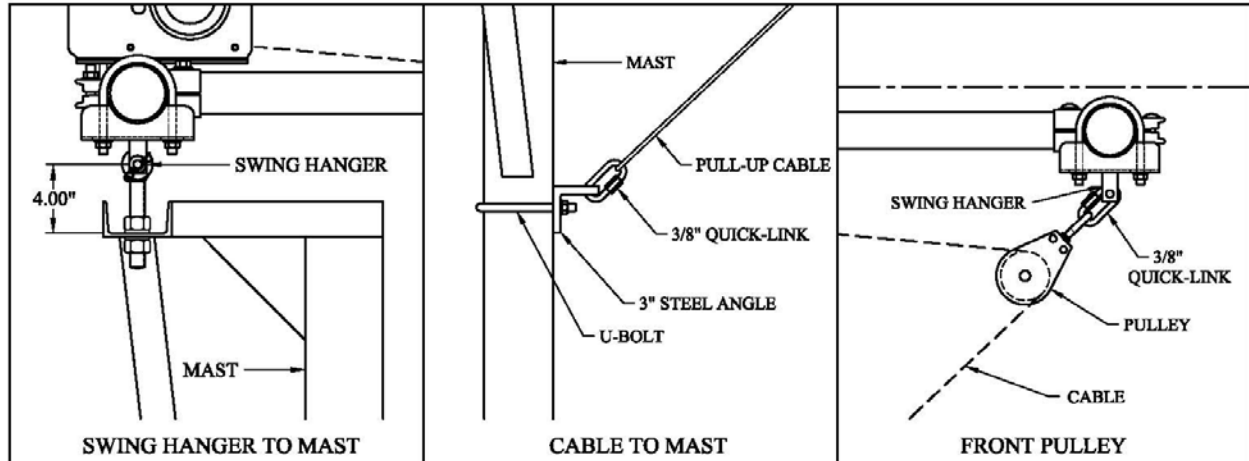
Installation Instructions

The following illustrations show an overview of the 8001 Ceiling Suspended Volleyball System and the 8001R Ceiling Suspended System with Referee Stand. See installation prints provided for all overhead structure details.



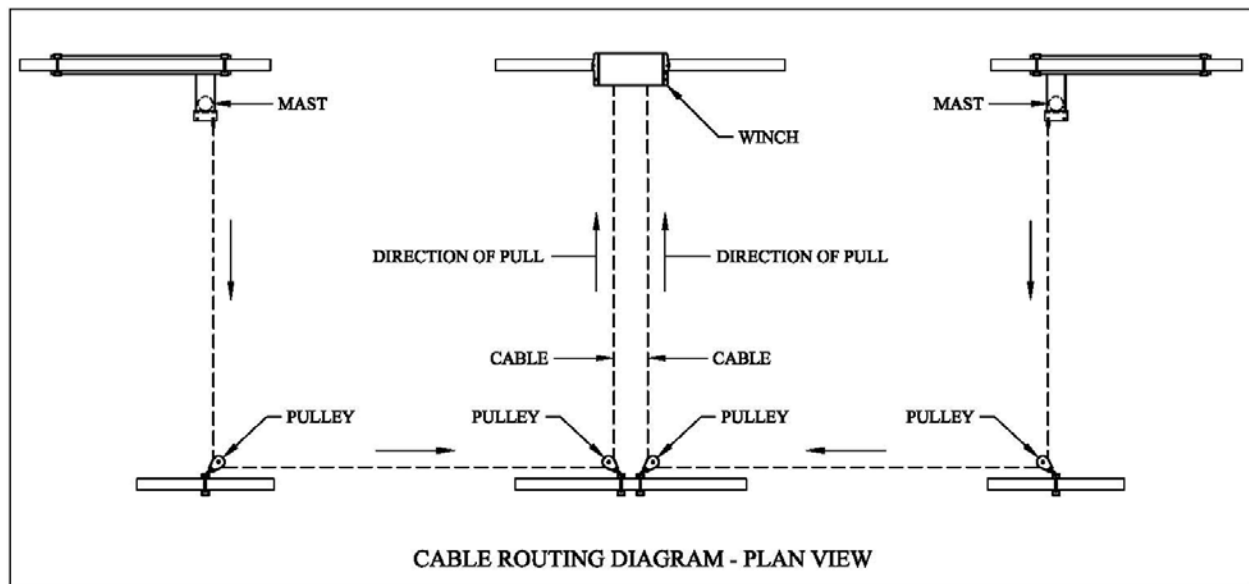
Attachment Details

These illustrations show some key attachment details. Use as a guide for proper assembly.



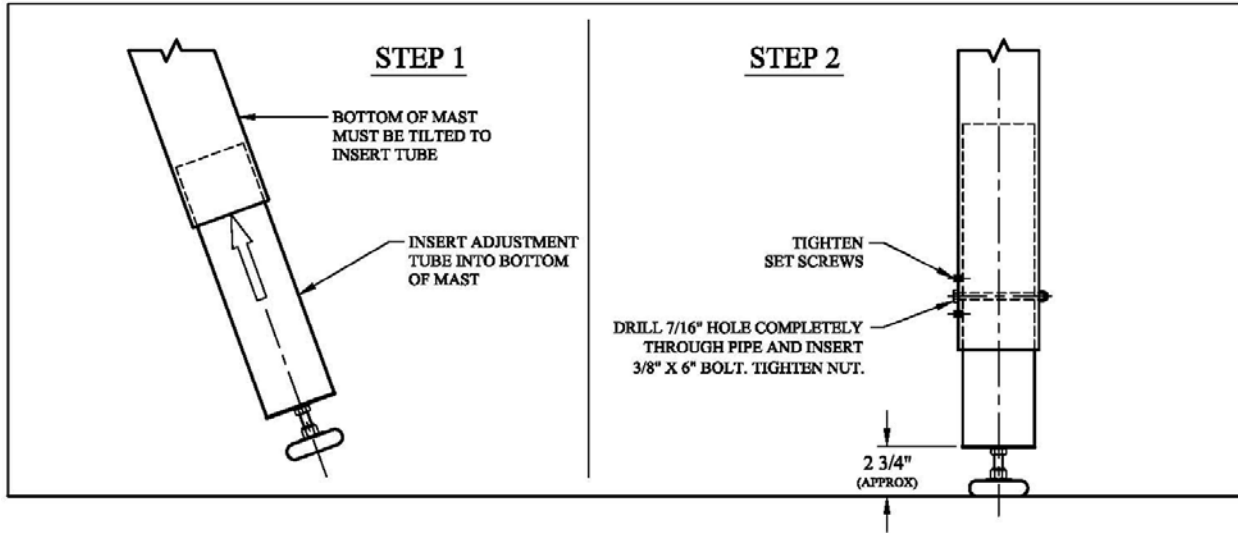
Cable Routing

The following illustration gives a diagram of the cable route from the mast to the winch. One double drum winch is used to coordinate the movement of both masts.



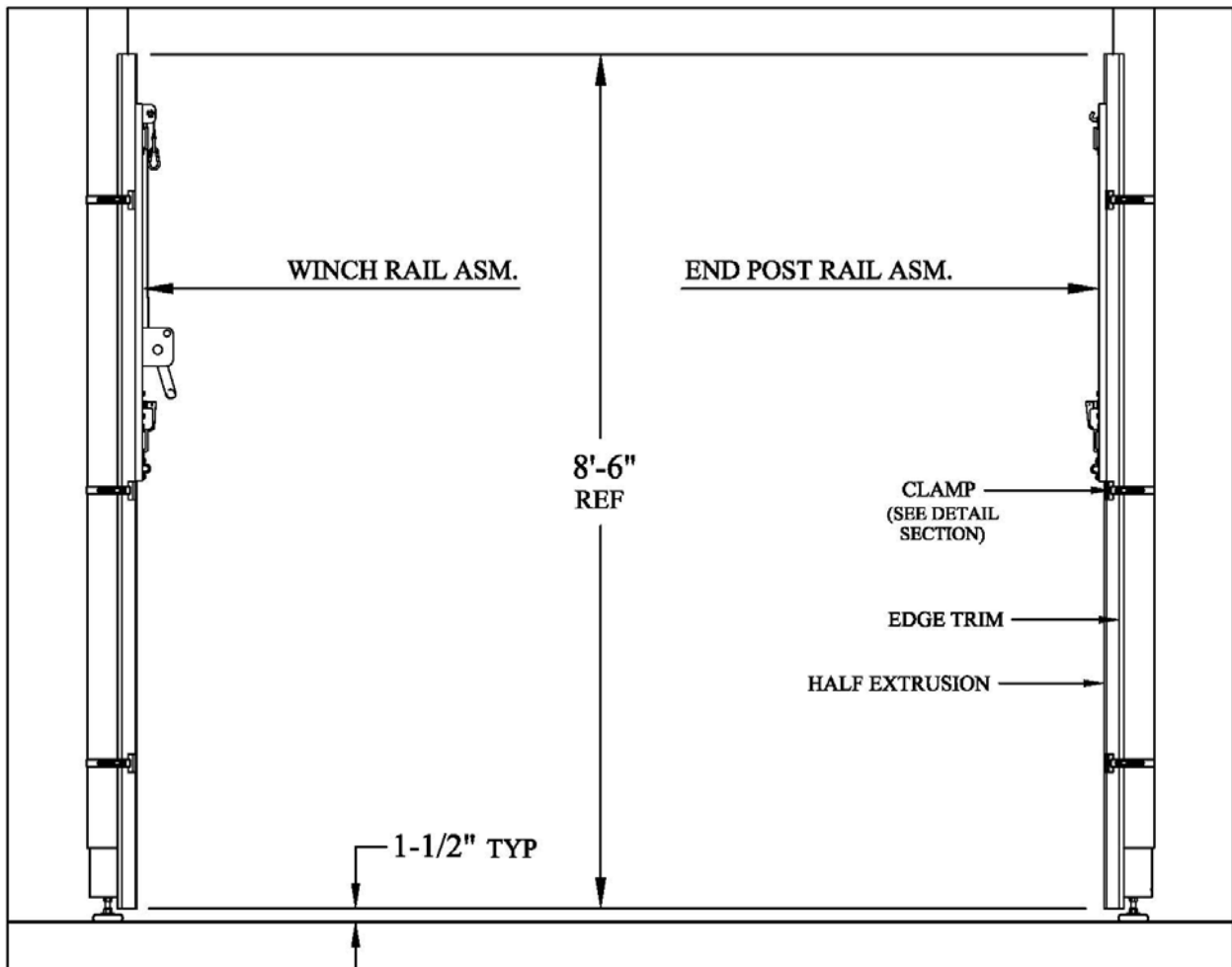
Footing Installation

After the masts are set, the 4-1/4" dia. tube with adjustable rubber foot can be inserted in the bottom of the masts as shown in the illustration below. Set the rubber foot at about 2 3/4" as shown before drilling and inserting the 3/8" bolt. This allows adjustment both up and down.



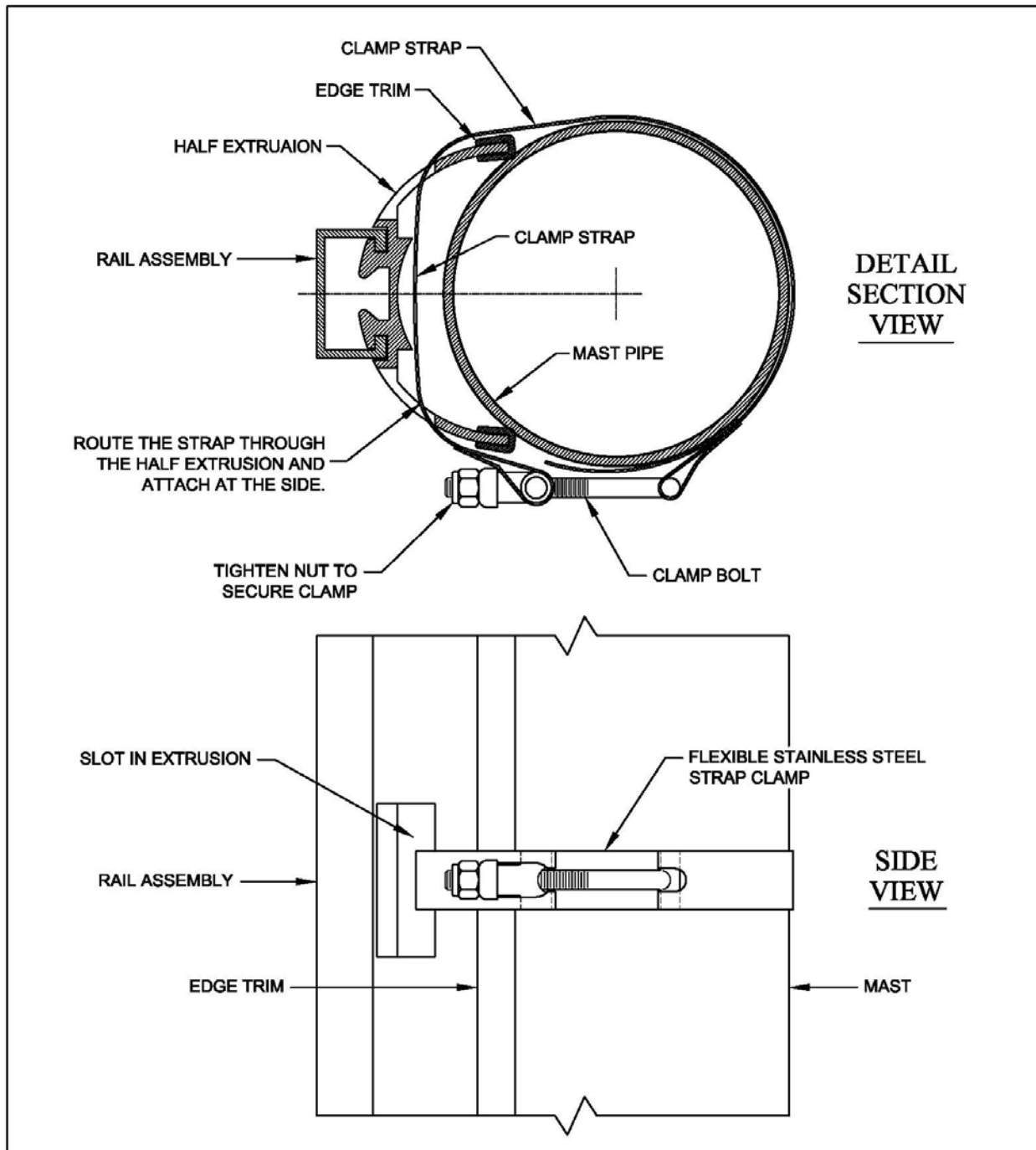
8001 Rail Assembly

The following illustration shows the half extrusions and the winch and end post rails assemblies strapped to the masts with stainless steel clamps. Refer to the additional detailed view for clamp details. Note that each half extrusion should be positioned 1-1/2" off the floor.



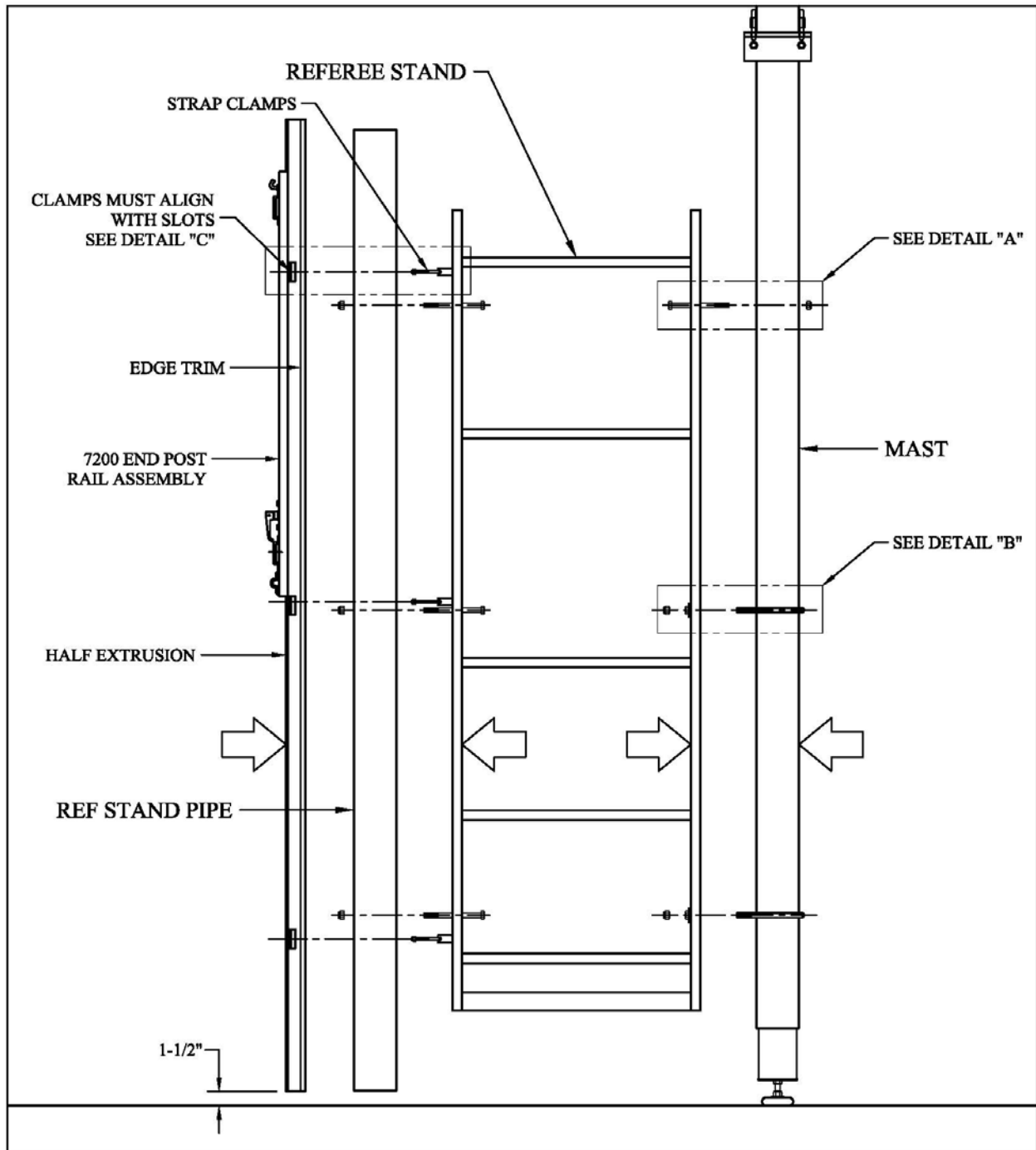
8001 Rail Assembly with Clamp Detail

The following view shows how the half extrusion is attached to the mast post with (3) flexible stainless steel strap clamps. Try to keep the rail assembly facing the opposite mast while tightening the clamps.

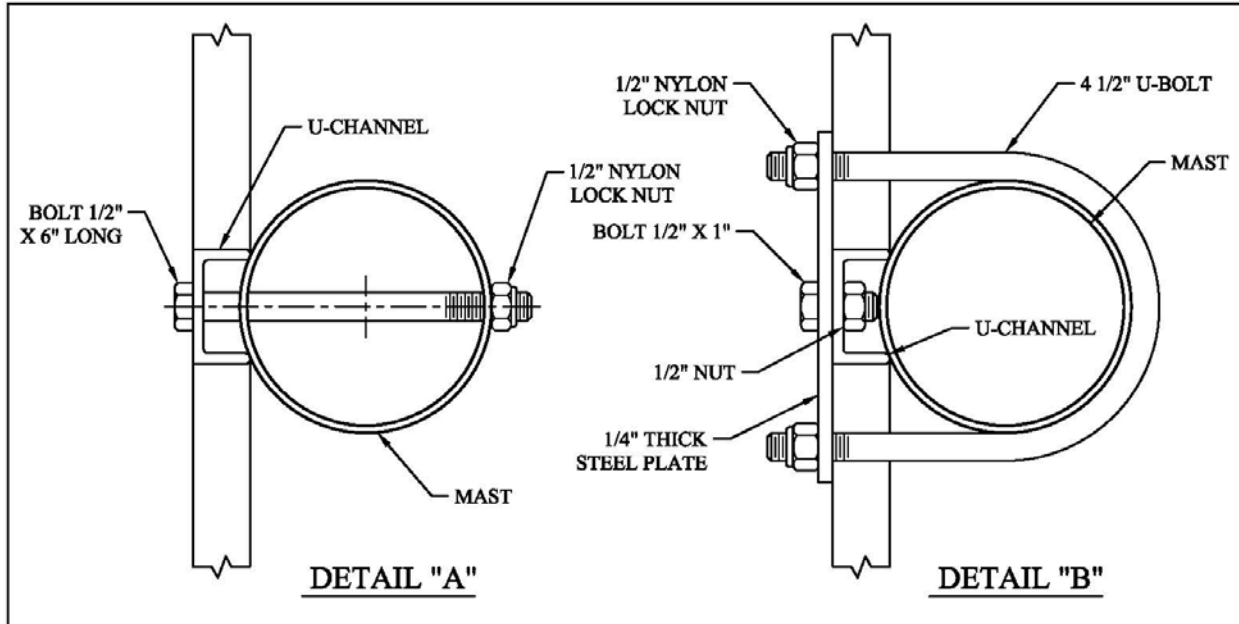


8001R Referee Stand to Mast Assembly Details

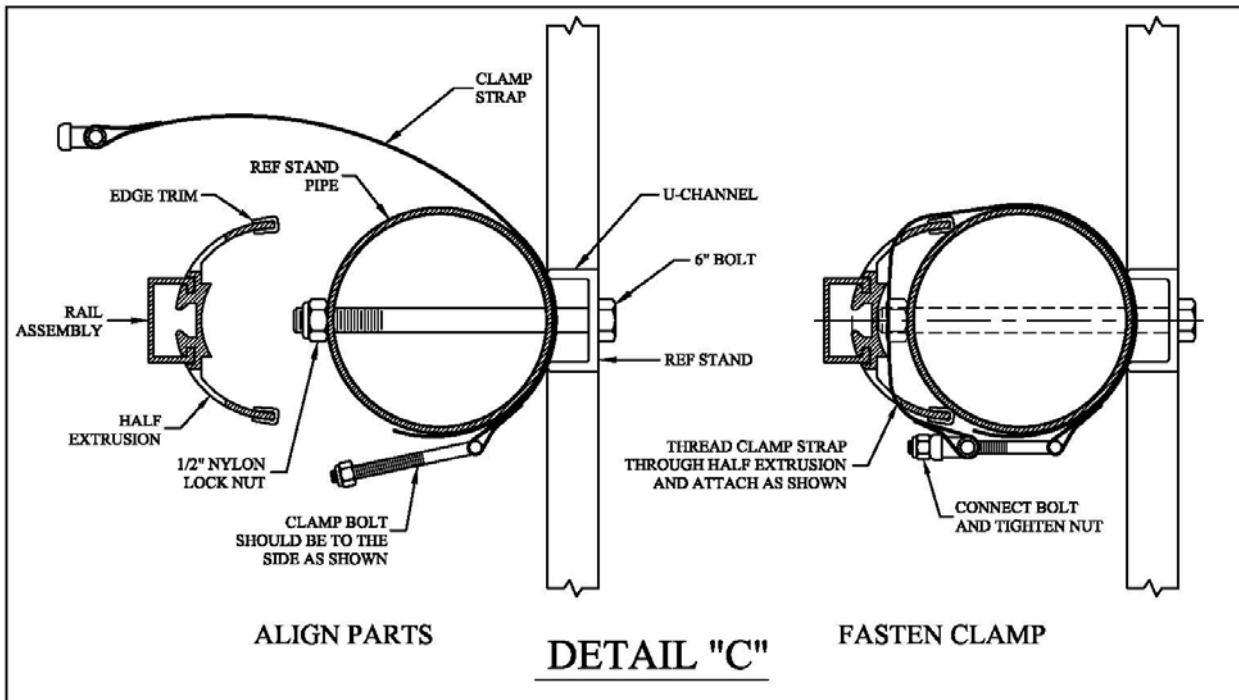
The following illustration shows the relationship of the half extrusion with the 7200 end post rail assembly, the ref stand pipe, and the referee stand, to the mast. See the supplemental views for additional mounting and hardware details.



The following views show the mounting details of the referee stand to the mast.

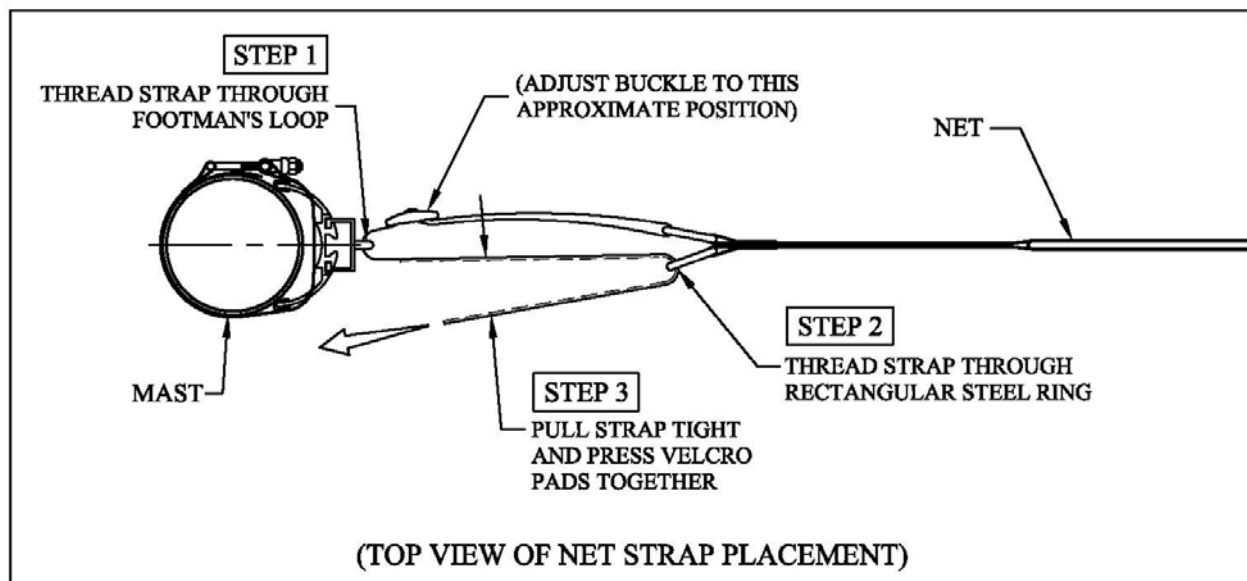


The following views show the mounting details of the ref stand pipe and the half extrusion to the referee stand. Apply the edge trim to the half extrusion. Place the (3) strap clamps between the ref stand pipe and the ref stand. The connecting bolt should be at the side as shown. Attach the ref stand pipe with the 6" bolts and nylon lock nuts. Align the clamps with the (3) slots in the half extrusion and tighten the nuts. Last, attach the half extrusion with the strap clamps as shown. Note, several people may be needed to help hold and position all these items at once!

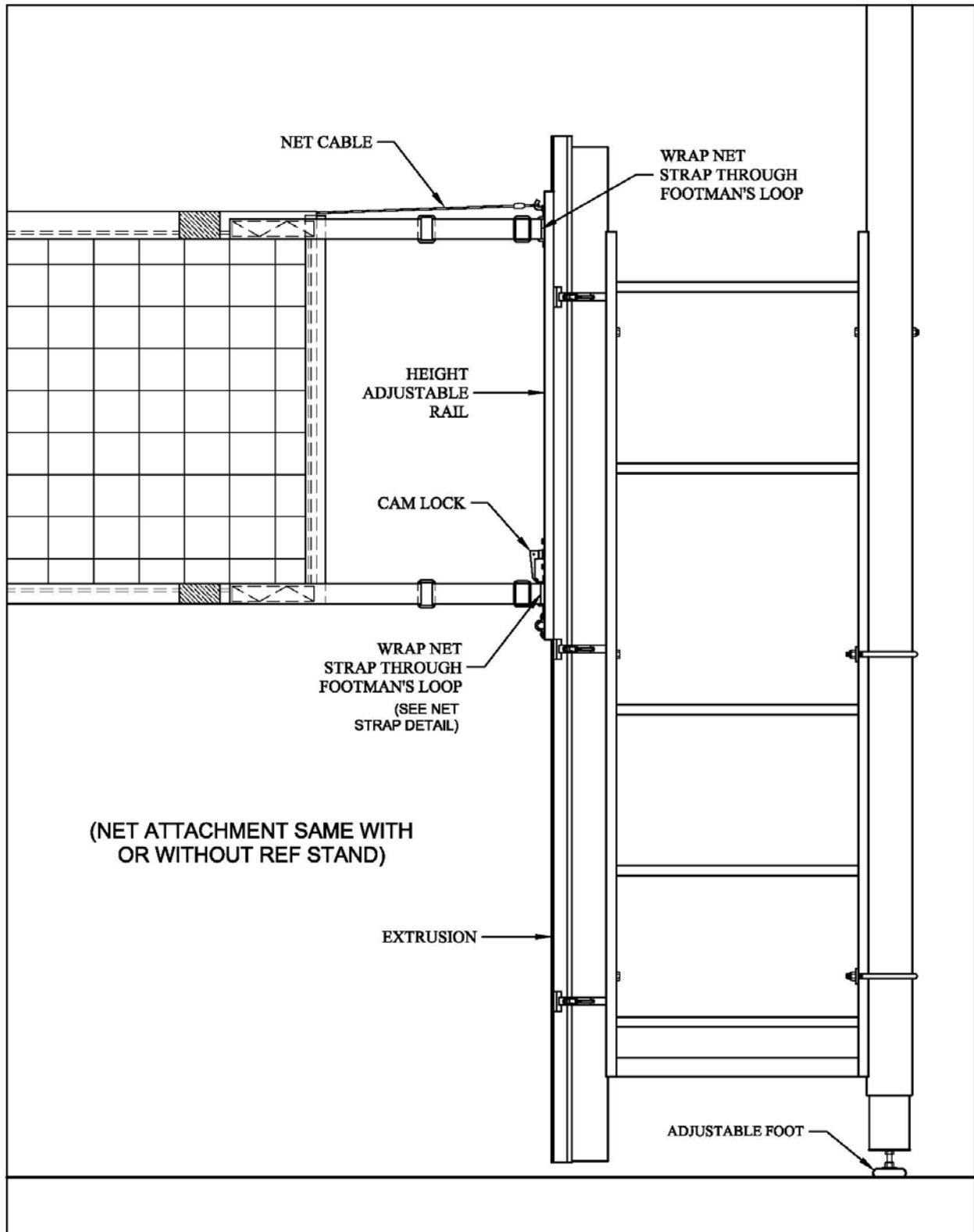


Net Installation Instructions

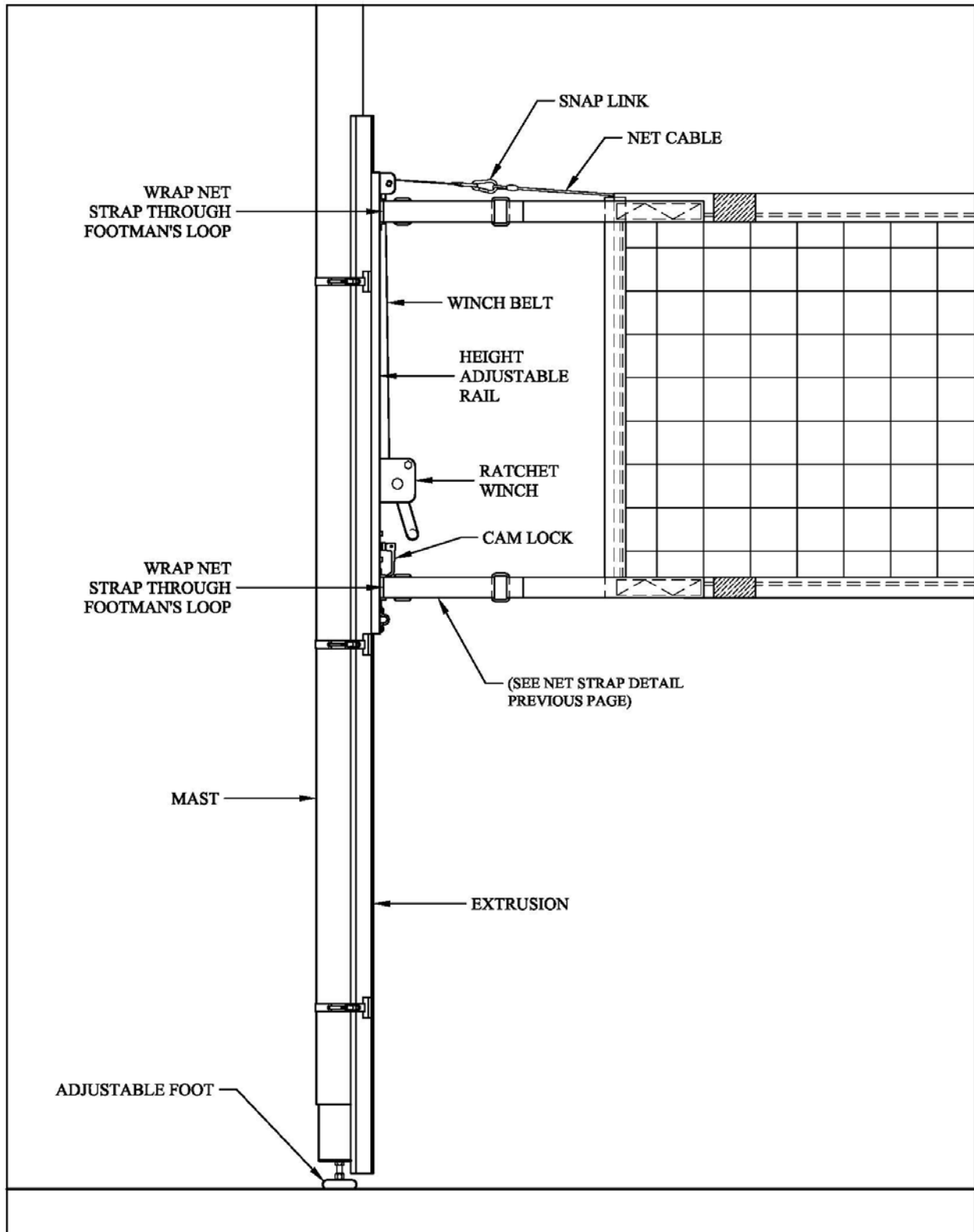
1. Unfold the net and lay it out between the two posts.
2. The height of the net is set by adjusting the height of the slide rails on the end post and winch post. Release the **cam locks** on the rails and set the net cable attachment points approximately 3/4" higher than the desired playing height. Reset the cam locks.
3. Attach one end of the tension cable to the hook at the top of the **end post rail** as shown. Next rotate the crank handle of the winch counter-clockwise to extend the belt. Attach the other end of the cable to the belt of the **winch post rail** with a snap link. Turn the winch handle clockwise to tighten the belt.
4. Center the net so there is equal space between the ends of the net and the posts. Undo the Velcro net straps as they come shipped with the net. Wrap the straps through the footman's loops as shown in the illustration at the bottom of this page. Pull the straps tight and press the Velcro surfaces together. These straps are responsible for maintaining the net tension and may need to be retightened periodically. Expect stretch in the net.
5. The height of the net will vary with the tightness of the cable. If the net height needs to be adjusted, loosen the cable to take pressure off of the side rails. Release the cam locks and move the rails to the desired height. Tighten the cam locks and retighten the net.



Net Installation – End Post Details

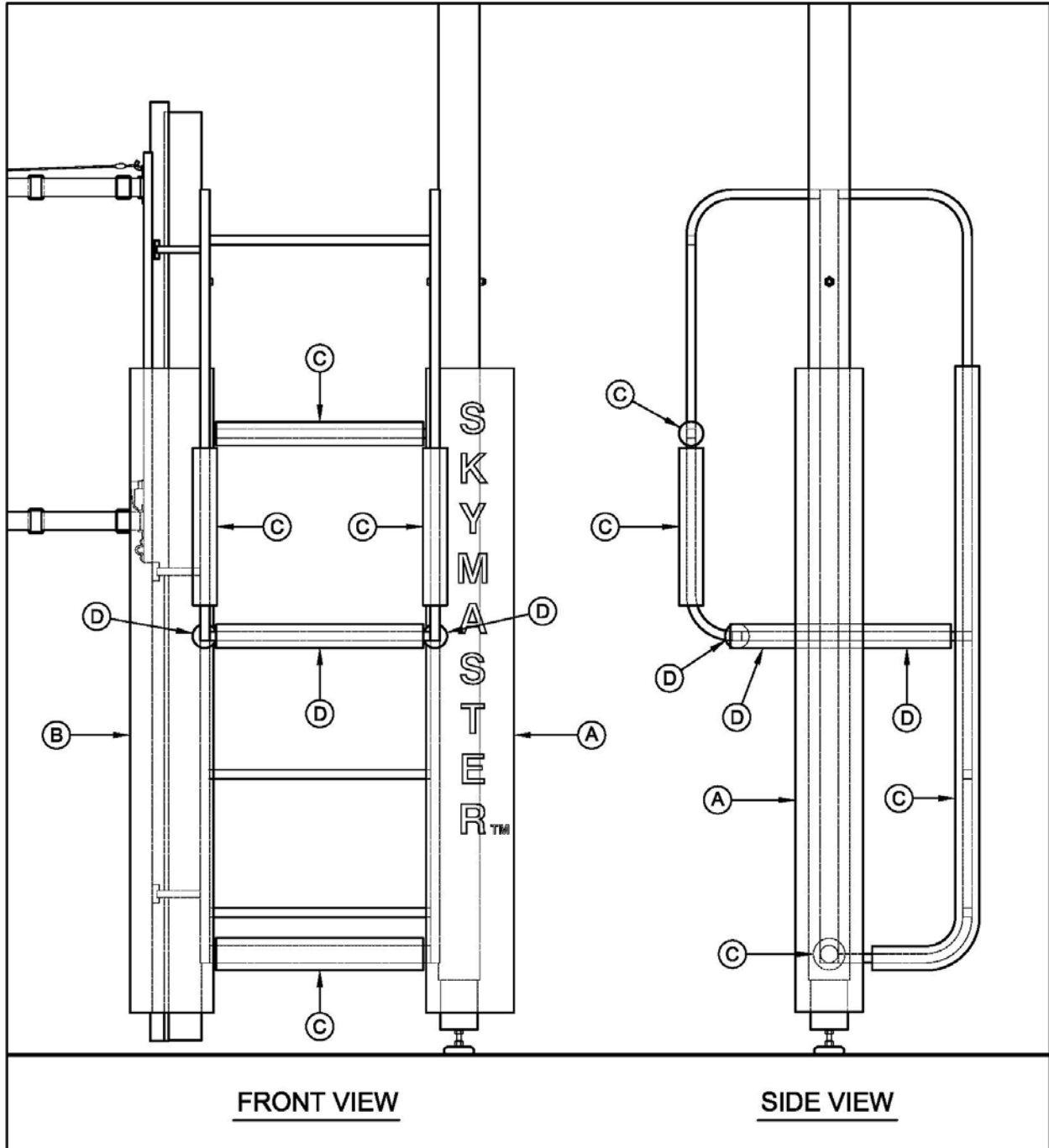


Net Installation – Winch Post Details



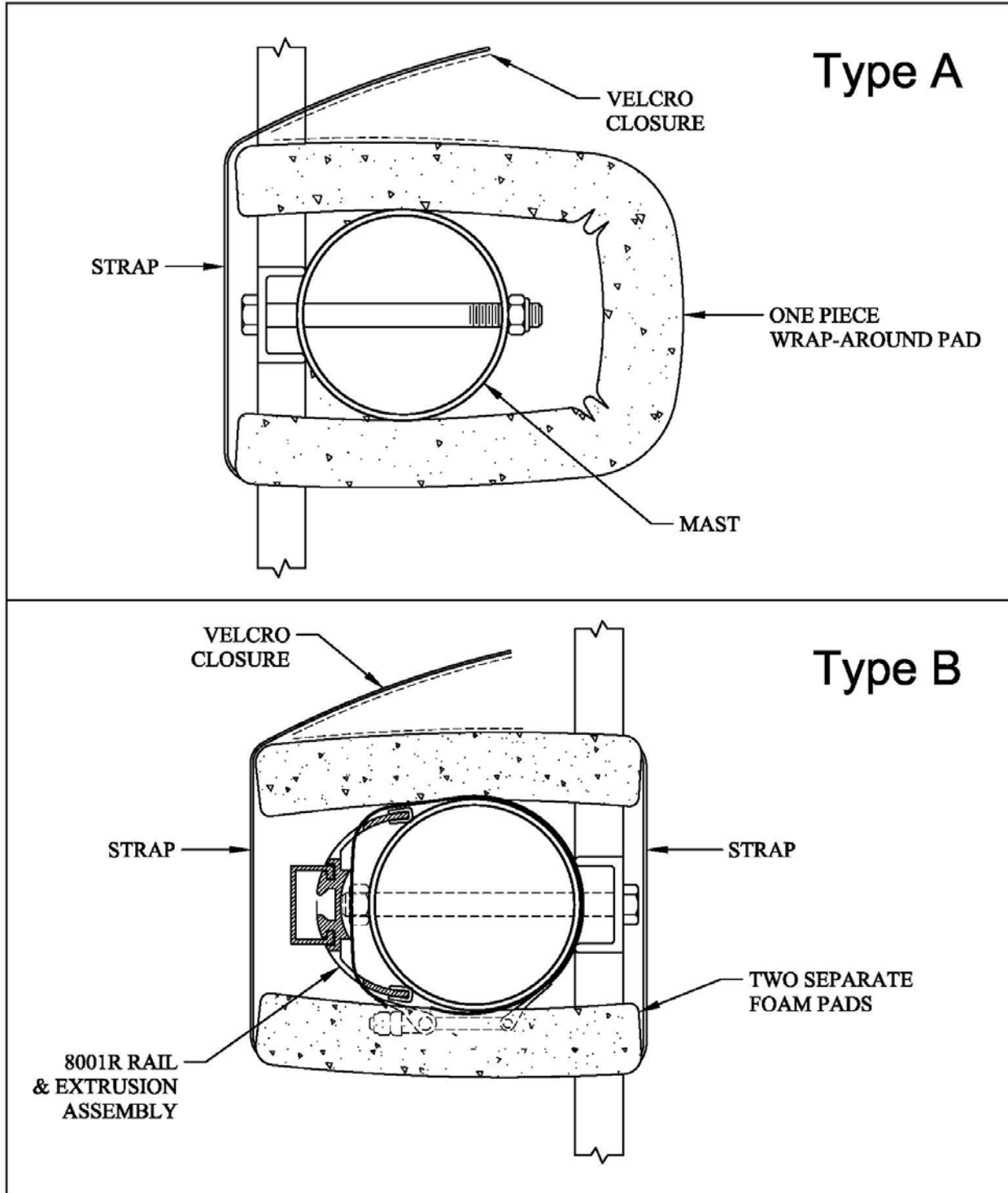
Padding Details

The following illustration shows the placement and type of each pad. Pad #1 is used on both the 8001 and 8001R Skymaster® Installations. Use the front and side views to determine the position and type of each pad. See the following pages to identify each pad type.



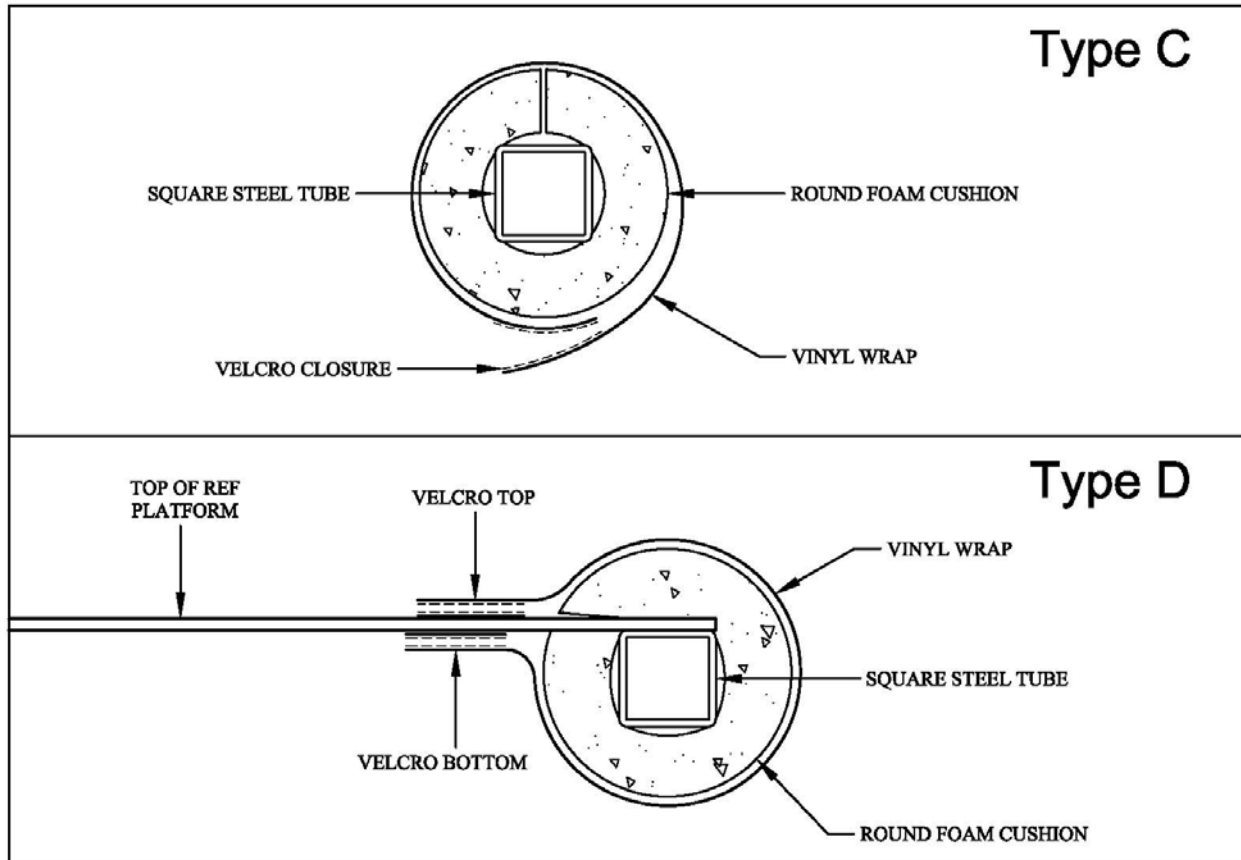
Large Pad Details

The following diagrams illustrate the placement and type of the two large pads.



Small Pad Details

The following diagrams illustrate the placement and type of the two smaller pads.



Maintenance

1. General inspection of equipment should be performed to ensure no catastrophic failures have occurred during the course of use between yearly inspections.
2. It is recommended that yearly inspections be conducted to determine if any bolts or any other hardware has become worn or loosened.
3. During yearly inspections, all moving parts should be inspected while in operation. Key points to look for include rotation points where bushings contact metal, winches, pulleys and quick links. The strap should be looked at for any degradation or fraying.
4. Any loose bolts or nuts should be tightened.
5. Check Sliding components and strap for wear.
6. Replacement parts and / or service to the equipment can be obtained from your local PSS or Gared dealer or installer. To find your local dealer, visit us online or contact customer service department at the web address or phone number listed on the last page of this manual.



Gared Holdings, LLC

**Performance Sports Systems
9200 E. 146th Street
Noblesville, IN 46060**

**800-848-8034
www.perfsports.com**

**Gared Sports
707 North 2nd Street
St. Louis, MO 63102**

**800-325-2682
www.garedsports.com**