



Soccer Goal
Model: SG10 Series



Installation, Operation and Maintenance Instructions

Please read all instructions before attempting installation or operation of these units

SAVE THESE INSTRUCTIONS FOR FUTURE USE

PUBLICATION NO.
6 5 1 7 5 2 5 8 8

Revised
April 20, 2010



SG10 Series Soccer Goal



Table of Contents

<u>Section</u>	<u>Page No.</u>
Introduction/Liability Disclaimer	1
Parts Checklist	2
Goal Assembly	3-9
Maintenance	10

Introduction/Liability Disclaimers

Thank you for your purchase of the SG10 Series Soccer Goal. To ensure that our equipment will provide years of use to you, we are including this installation, operation, and maintenance guide. This guide will provide information on the proper assembly and installation methods, operating procedures, and preventative maintenance of your soccer goal.

Please note that a Bill of Materials is being included with this guide. Please check that all of the parts called out on the Bill of Materials are present prior to beginning assembly. Please do not substitute for factory parts. Please contact the PSS or Gared Sports customer service department and allow them to determine if substitute parts are acceptable.

It is recommended that an individual who has been properly trained perform assembly and set up of the Soccer Goal. No one under the age of 18 should attempt assembly or set up of the unit, unless properly supervised.

To prevent normal wear and tear from shortening the life of the unit, preventative maintenance inspections and repairs should be performed at least once per year. If the units are subject to high or unusual usage, inspections should be scheduled to occur more frequently. If items are found to be nonconforming, replacements can be ordered from Gared Sports or one of our authorized dealers. When contacting PSS or Gared Sports, please have information regarding the dealer/installer who sold the unit, the name of the project, and any applicable warranty information.

 WARNING

Portable or Moveable Soccer Goals can fall over causing serious injury or death. Anchors must be properly installed and used on all portable or moveable soccer goals at ALL times.

126255020

Before proceeding with assembly, read all instructions and assembly procedures. Make sure all parts have been received and are not damaged.



SG10 Series Soccer Goal



Parts Checklist

Verify all parts listed on packing list are present prior to installation.

Soccer goal frame components

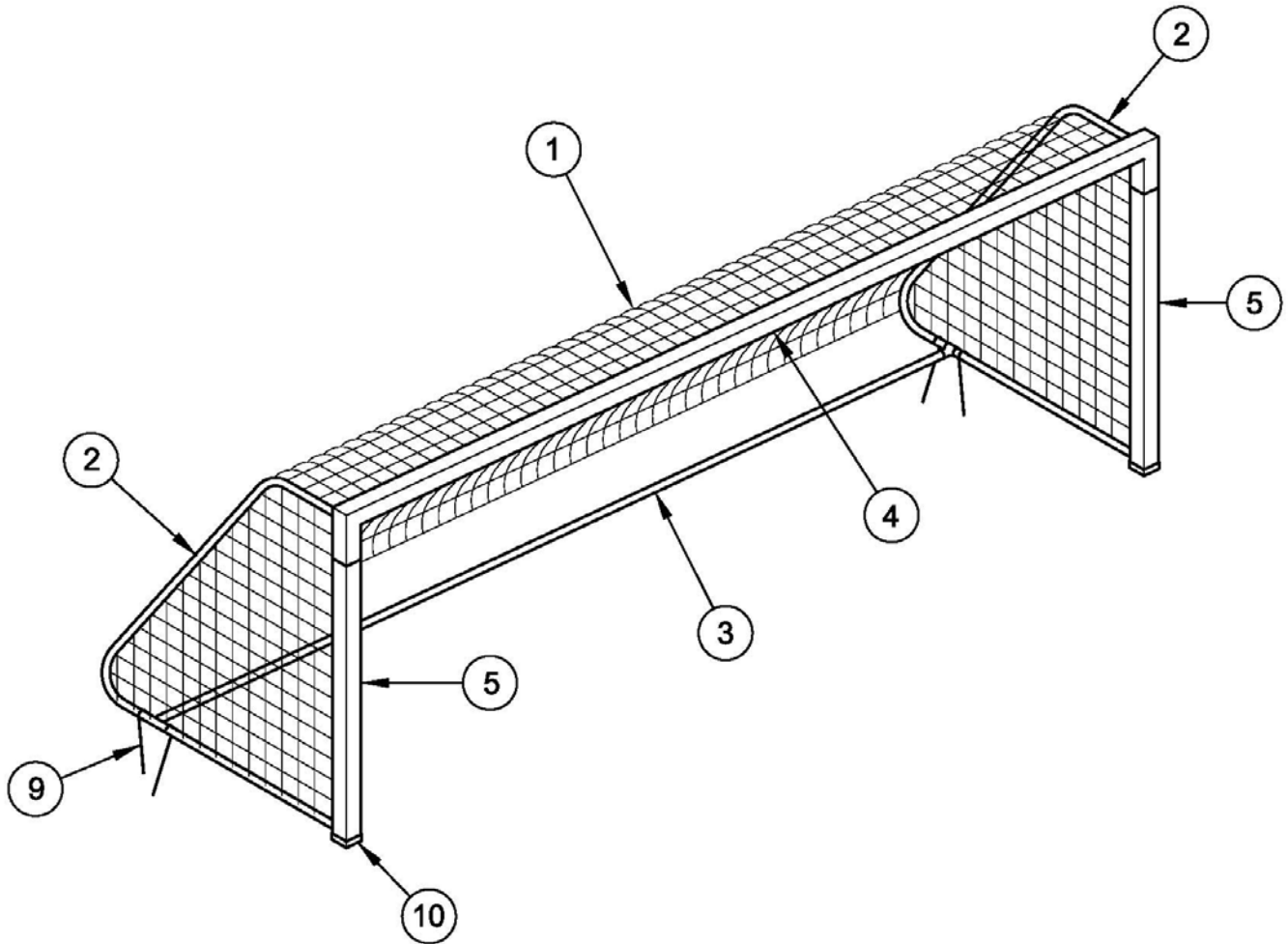
Check the chart for the proper parts that match the Goal P/N received.

Item	Description	Qty	8' x 24'	7' x 21'	6.5' x 18'	6.5' x 12'	4.5' x 9'	4' x 6'
			SG10824	SG10721	SG10618	SG10612	SG1049	SG1046
1	Net	1	Net Chart	Net Chart	Net Chart	Net Chart	Net Chart	Net Chart
2	Backstay	2	651652463	651652498	651652501	651652501	651652465	651652505
3	Backstay Brace	1	651652575	651652576	651652577	651652578	655755876	651652579
4	Top Rail	1	655755815	655755812	655755809	655755861	655755875	655755865
5	Side Rail	2	655755816	655755813	655755810	655755810	655755879	655755868
6	Connecting Tube	4	655755202 (Common to all goals this series)					
7	Backstay Mtg Brkt	4	651653682 (Common to all goals this series)					
8	Brace Clamp (pair)	2	651653590 (Common to all goals this series)					
9	Ground Anchor	4	651652570 (Common to all goals this series)					
10	Vinyl Endcap 4"	4	101653829 (Common to all goals this series)					
11	Car Bolt 5/16 x 2.5	4	501-5-18-40 (Common to all goals this series)					
12	Hex Bolt, 3/8x1.50	8	502-6-16-24 (Common to all goals this series)					
13	Hex Bolt, 3/8x0.75	8	502-6-16-12 (Common to all goals this series)					
14	Hex Bolt, 3/8x2.50	4	502-6-16-40 (Common to all goals this series)					
15	Net Clips	40	651652567 (Common to all goals this series)					
16	Flat Washer, 3/8	16	561-6 (Common to all goals this series)					
17	Lock Washer, 3/8	16	562-6 (Common to all goals this series)					
18	Flat Washer, 5/16	2	561-5 (Common to all goals this series)					
19	Square Nut, 3/8	8	556-6 (Common to all goals this series)					
20	Lock Nut, 3/8	4	555-6 (Common to all goals this series)					
21	Lock Nut, 5/16	2	555-5 (Common to all goals this series)					

Net Chart

Check the net P/N to make sure it matches the net numbers shown for the goal you received.

	SG10824	SG10721	SG10618	SG10612	SG1049	SG1046
4 mm Orange	SN824-4O					
4 mm White	SN824-4W					
3 mm Orange	SN824-3O	SN721-3O	SN618-3O	SN612-3O		
3 mm White	SN824-3W	SN721-3W	SN618-3W	SN612-3W		
2.5 mm Orange			SN618-2O	SN612-2O	SN49-2O	SN46-2O
2.5 mm White			SN618-2W	SN612-2W	SN49-2W	SN46-2W



(Master Illustration)

Use the above illustration to identify the main parts of your SG10 style soccer goal.

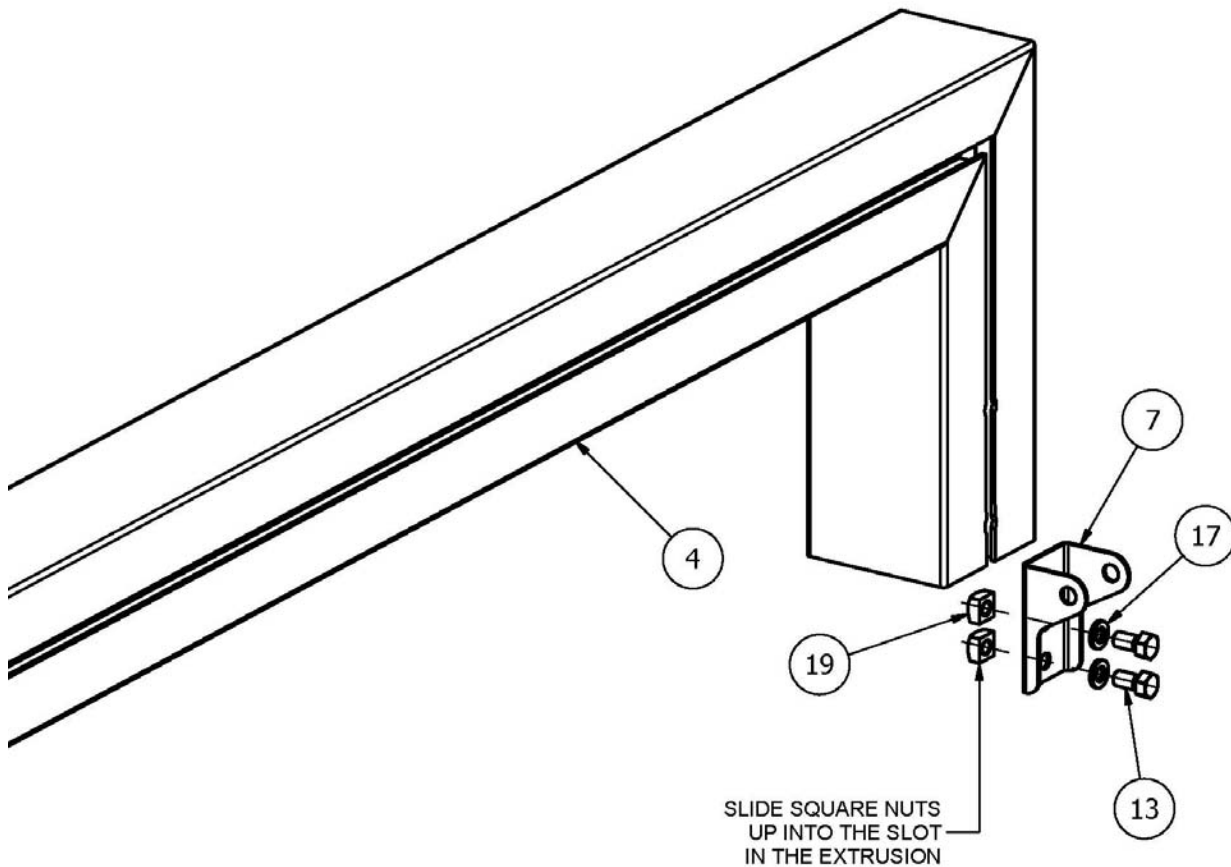
***NOTE:**

Balloon numbers throughout this manual will match the **Item** numbers in the **Parts Checklist**.

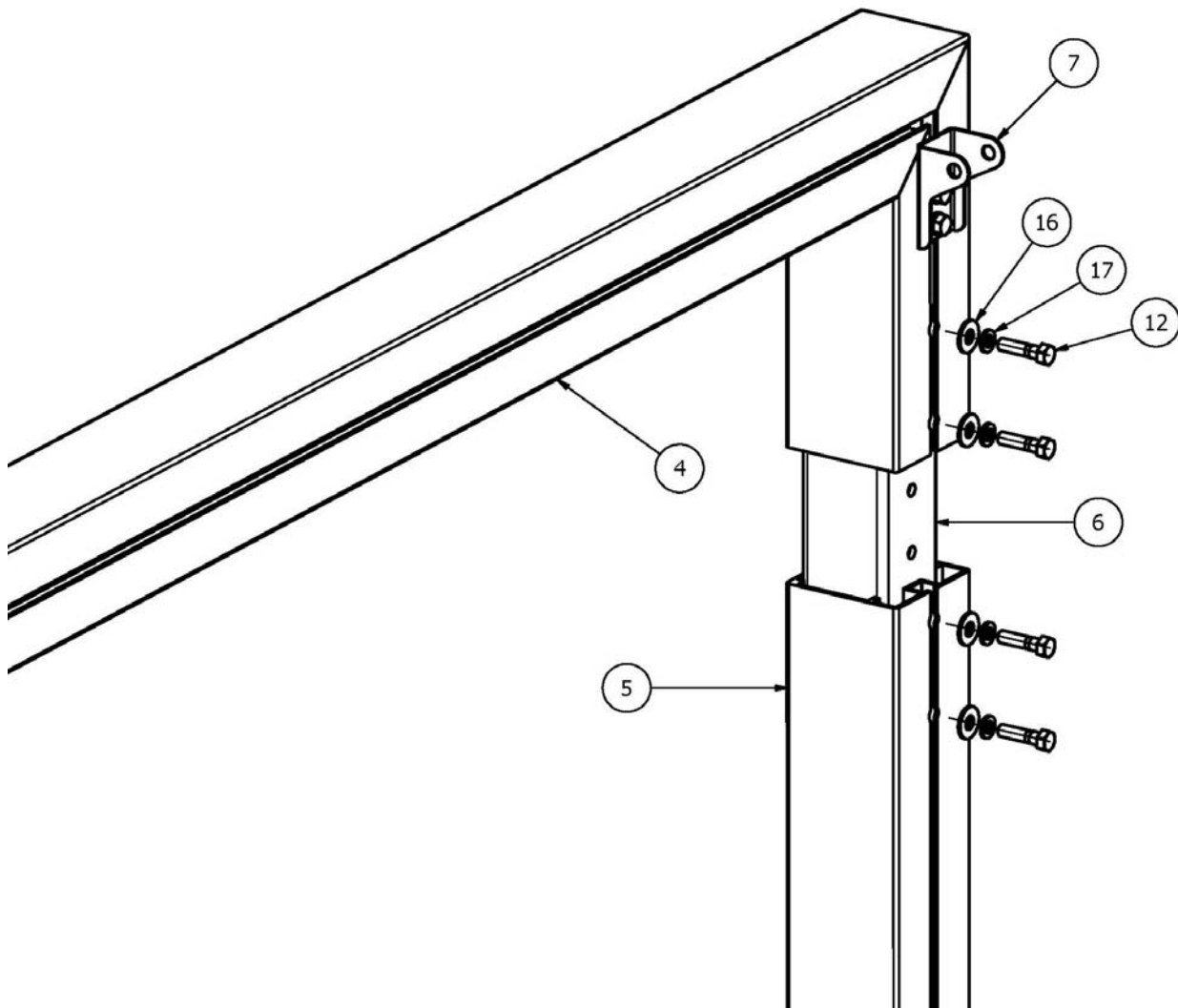
Goal Frame Assembly

*Use the following step by step instructions to assemble your SG10 series soccer goal.

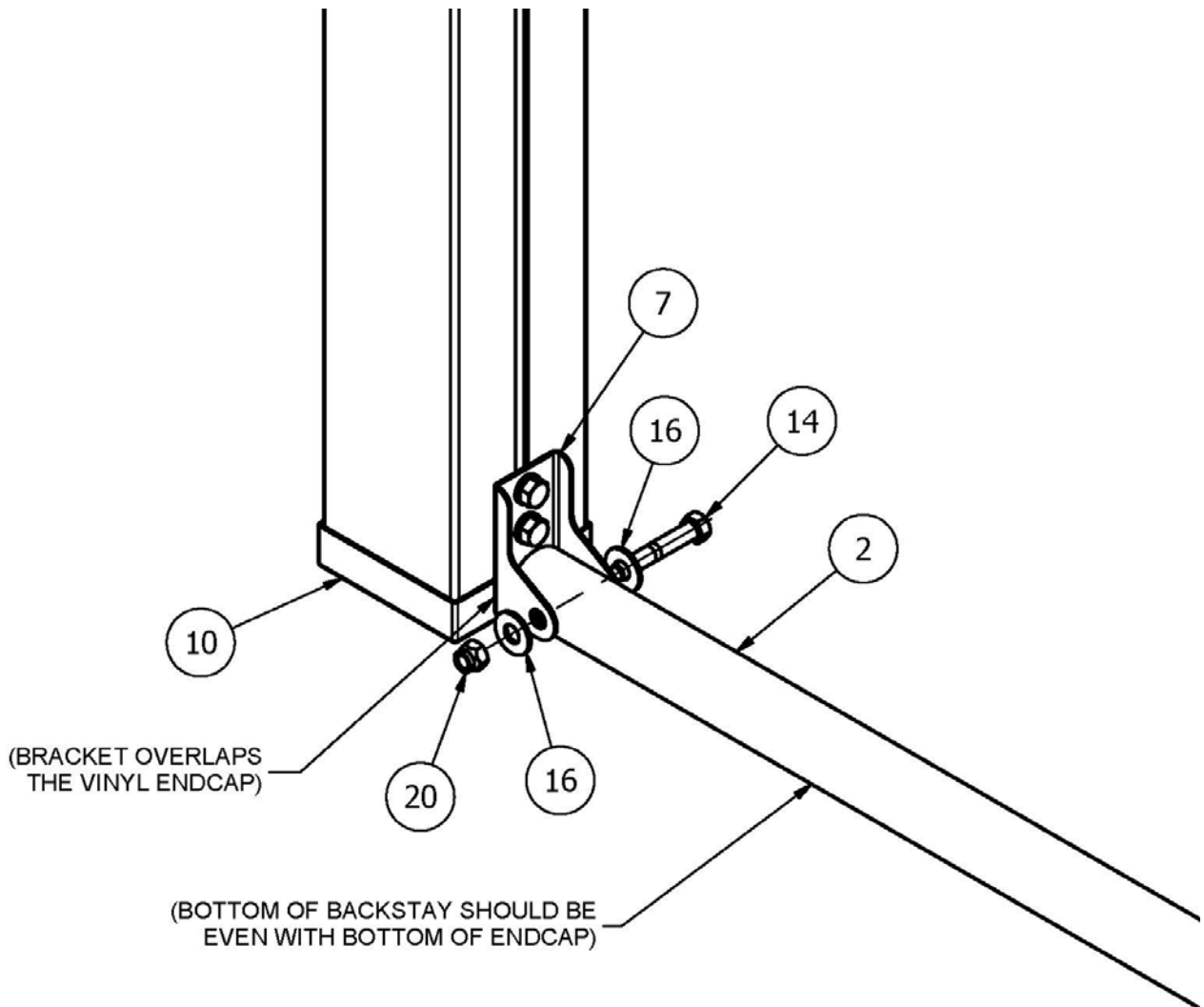
- 1) Attach a Backstay Mounting Bracket (7) to each end of the Top Rail (4) as shown in the following illustration. Use 3/8" x 3/4" bolts (13), and 3/8" lock washers to attach the bracket. The 3/8" square nuts (19) fit into the slot in the extrusion as shown. Slide the bracket up and hand tighten the nuts. Position is not important at this point. Go to step 2.



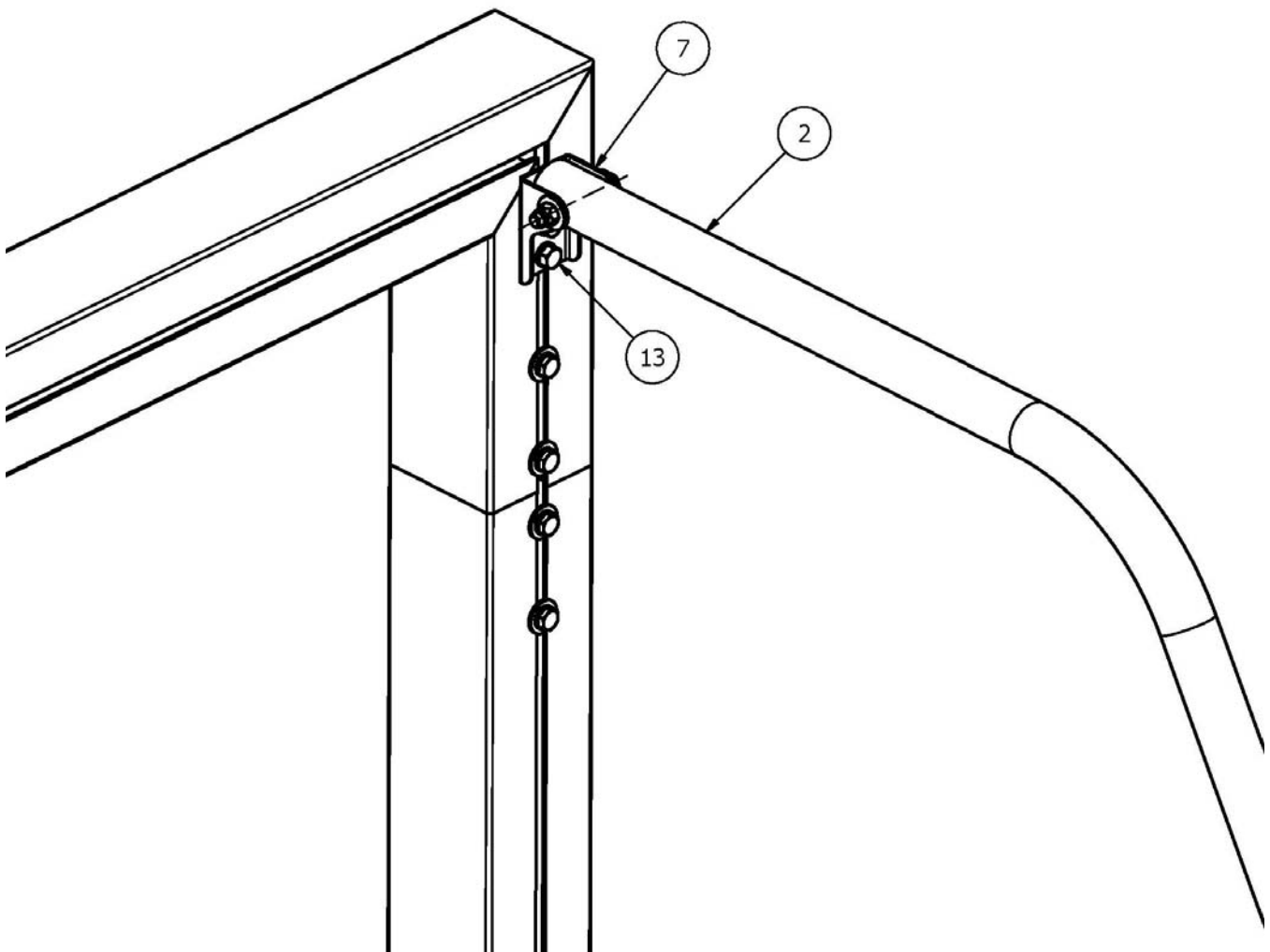
- 2) Next attach the Side Rails. Position the Connecting Tube (6) between the Side Rail and Top Rail. Align the four holes. Attach the Side Rail (5) with 3/8" x 1-1/2" bolts (12), 3/8" flat washers (16), and 3/8" lock washers (17). Use the illustration below as a guide. When everything is aligned, securely tighten the bolts.



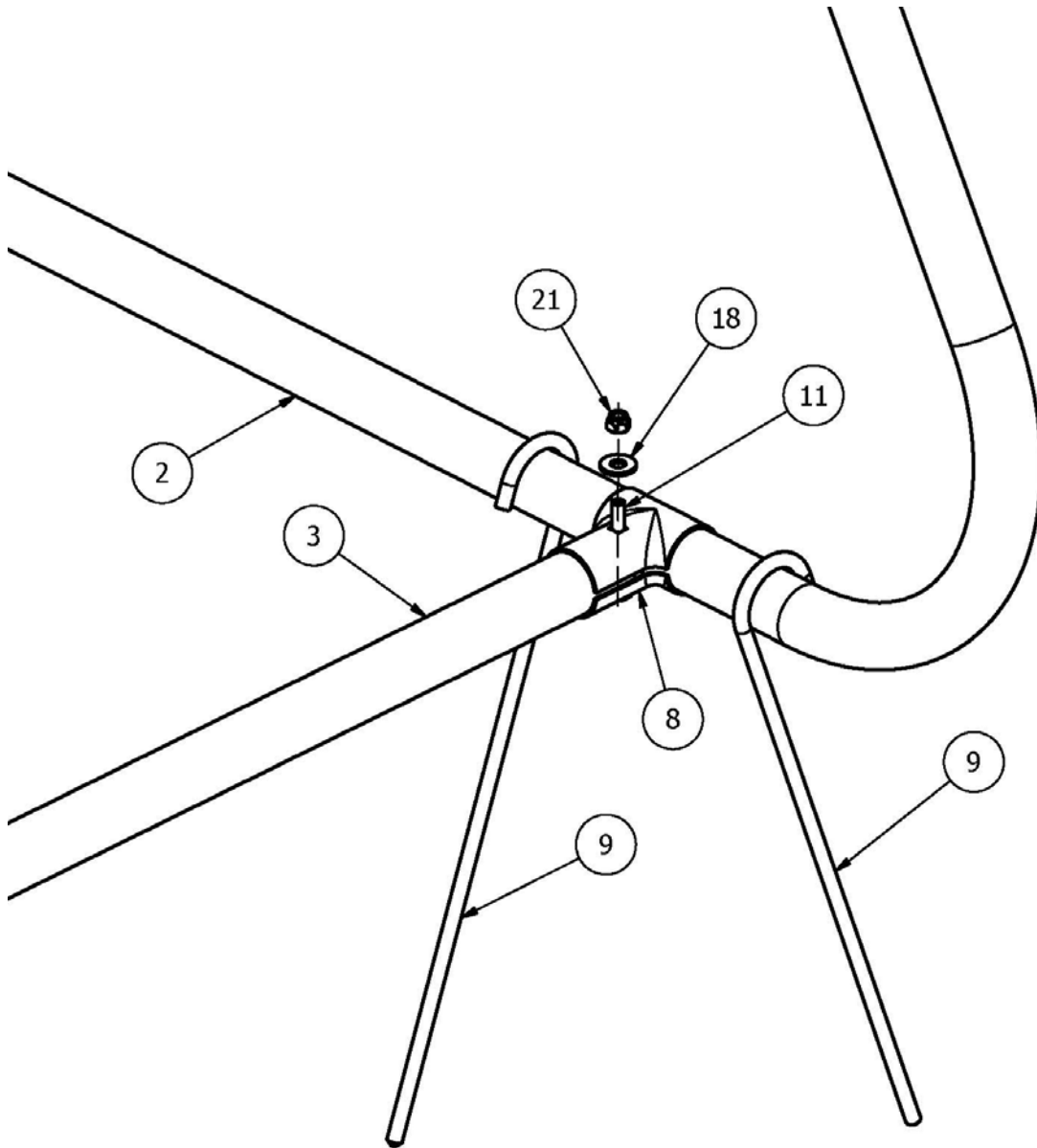
- 3) Now attach the lower Backstay Mounting Bracket (7) as shown in the illustration below. Use the same hardware as the top bracket. Place the 4" square Vinyl Endcap (10) onto the end of the side rail. The backstay bracket will overlap the endcap as shown. Mount the bottom end of the Backstay Pipe (2) to the bracket to stabilize the goal. Use two 3/8" flat washers (16), a 3/8" x 2-1/2" bolt (14), and a 3/8" nylon lock nut (20) to attach the backstay. The bottom side of the backstay pipe should be even with the bottom of the vinyl endcap so that the goal sits level.



- 4) Attach the top end of the Backstay Pipe (2) to the top of the Backstay Mounting Bracket (7) as shown in the illustration below. Use the same hardware as the lower bracket. The height of the backstay pipe will determine the final position of the top mounting bracket. When all parts are aligned, securely tighten the bracket bolts (13).

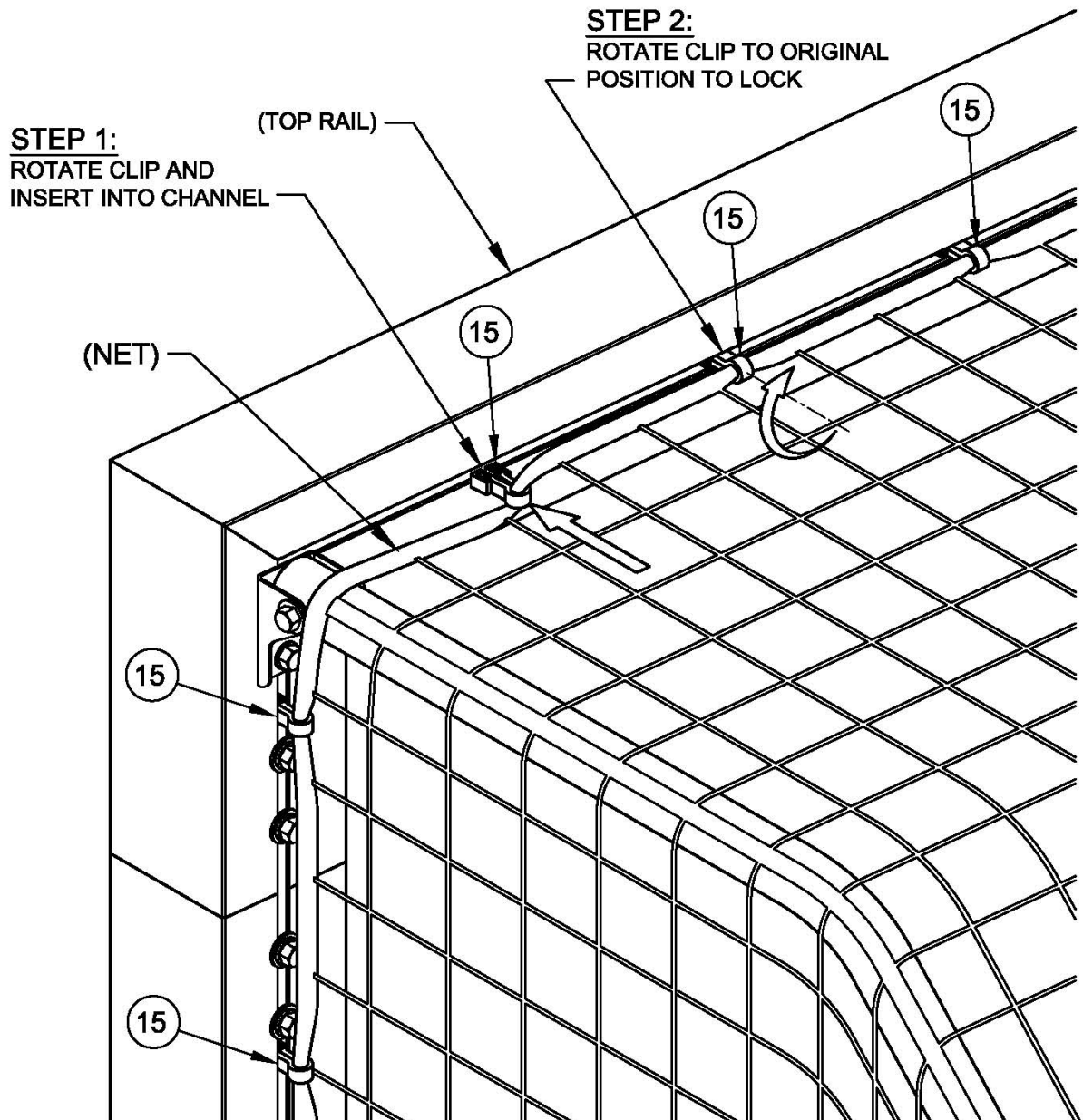


- 5) Attach the Backstay Brace Pipe (3) near the back of the two side backstay pipes. (see the following illustration). Use two Brace Clamp halves (8) to attach each end of the brace pipe. Insert a 5/16" x 2-1/2" carriage bolt (11) from the bottom as shown. Secure with a 5/16" flat washer (18) and a 5/16" nylon lock nut (21). Make sure the brace pipe is perpendicular to the backstay pipe and tighten the nuts securely.



- 6) Position goal in the upright playing position. Check all connections and make sure the goal is stable. When the goal is properly positioned on the playing field, secure it to the ground with two J-shaped anchor stakes (9) on each backstay pipe as shown in the following illustration.

- 7) Install net using plastic clips (item 15). Insert the clips over the edge of the net as shown. Rotate the clip 90 degrees and insert it into the channel. When fully inserted, rotate it back 90 degrees to lock it into the channel. (See the illustration on the following page)



- 8) Inspect all joints and connections to make sure the goal is ready for play.



SG10 Series Soccer Goal



Maintenance

- 1) General inspection of equipment when used should be performed to ensure no catastrophic failures have occurred during the course of use between yearly inspections.
- 2) It is recommended that yearly inspections be conducted to determine if any bolts or other hardware has become worn or loosened.
- 3) During yearly inspections, check all joints to make sure they are tight and secure. Check the net for wear, holes, torn rope, etc.
- 4) Any loose bolts or nuts should be tightened.
- 5) Replace any components that are missing or worn.



Gared Holdings, LLC

**Performance Sports Systems
9200 E. 146th Street
Noblesville, IN 46060**

**800-848-8034
www.perfsports.com**

**Gared Sports
707 North 2nd Street
St. Louis, MO 63102**

**800-325-2682
www.garedsports.com**