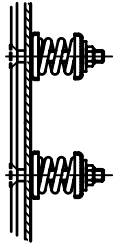
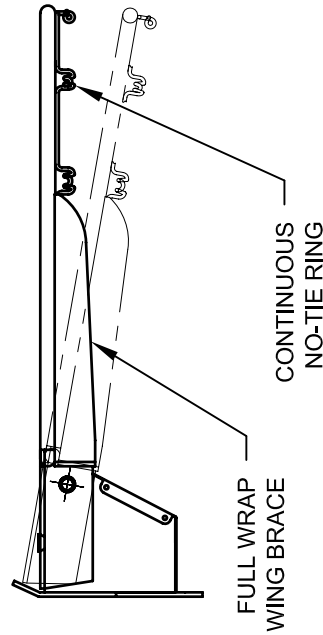
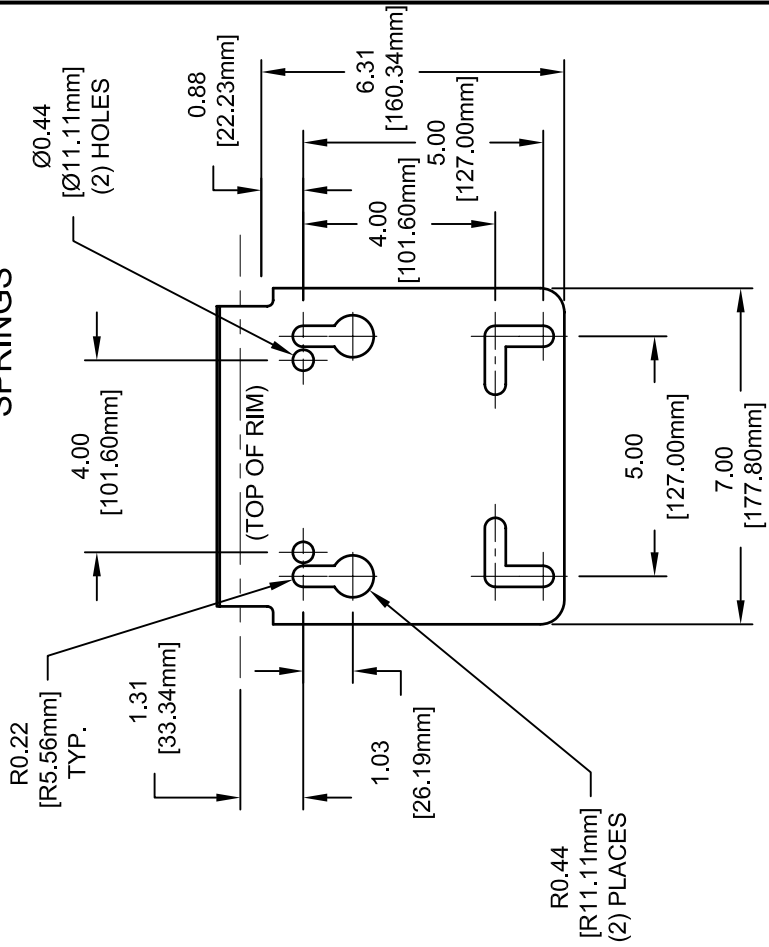
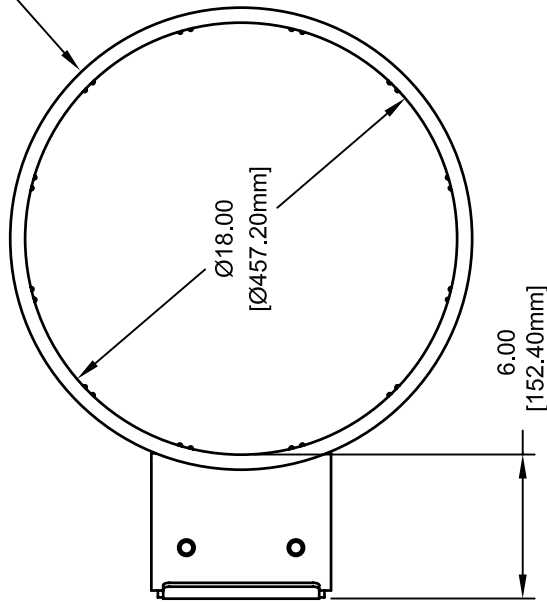


POSITIVE LOCK DETENT MECHANISM



DUAL RETURN SPRINGS

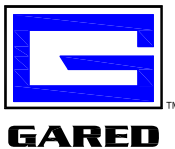
Ø0.62 [15.88] STEEL ROD



MOUNTING PLATE VIEW
SCALE 2:1

NOTE:
OFFICIAL ORANGE POWDER COAT FINISH.
GOAL IS SUPPLIED WITH ANTI-WHIP NYLON NET
AND MOUNTING HARDWARE.

REVISION		
REV.	DATE	BY
-	-	-



Gared Holdings, LLC
9200 E. 146th St. Noblesville, IN 46060

THIS DOCUMENT CONTAINS TRADE SECRET AND OTHER MATERIALS WHICH ARE PROTECTED BY CONFIDENTIALITY NOTICE AND AGREEMENT AND BY COPYRIGHT. ANY USE OR COPYING OF THIS DOCUMENT EXCEPT AS AUTHORIZED BY GARED HOLDINGS, LLC IS STRICTLY PROHIBITED.

PM300 BREAKAWAY GOAL

DRAWN	CONNERLEY	DATE	06/17/08	MATERIAL	N/A
APPROVED	JJC	DATE	06/17/08	FINISH	AS NOTED
FILE LOC. Q:\Final Release\Specifications				DWG. NO.	PM300
SIZE	SCALE	SHT. NO.	PART NO.	REV	
A	NONE	1 OF 1	PM300	-	



MODEL PM300

PLAYMAKER POSITIVE LOCK BREAK-AWAY GOAL

The PM300 goal shall be constructed with an enclosed positive lock mechanism to hold rim in solid playing position. Goal shall be designed so that any possible entrapment areas have been eliminated.

Goal shall have official size 18" ring of 5/8" diameter steel with continuous no-tie net attachment, full wing brace design, and a durable orange powder coated finish. Anti-whip net and hardware shall be included. Hole spacing shall be 5" x 5". Goal shall meet NCAA and high school specifications.

ACCESSORIES

BACKBOARDS

Compatible backboards are models LXP4200, AFRG42, RG, AFRG48, FSGII, 1301B, 1342B, 1370B, 1401B, 1442B, 3010RG, 3011RG, ARG, 3050RG, BB48A38, BB60A38, BB60G38, BB72A38, BB72G50, and GP72422. See backboard section in specification manual.