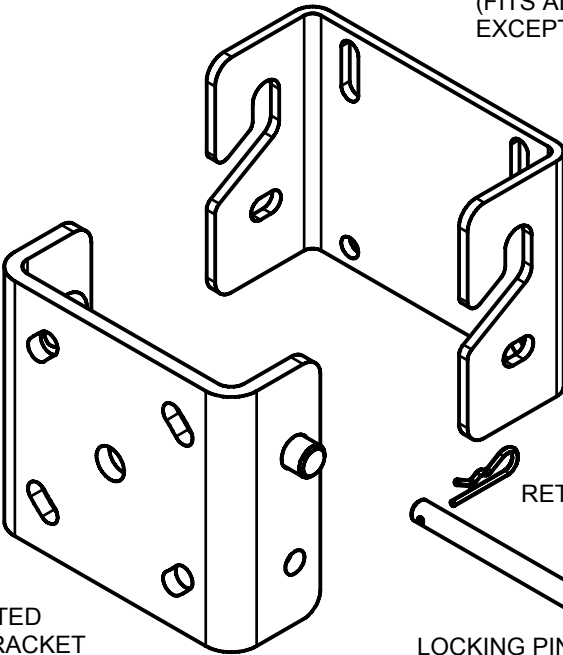


BACKBOARD MOUNTING PLATE
(FITS ALL GARED BACKBOARDS
EXCEPT 3010RG & 3011RG)



BOOM MOUNTED
COUPLING BRACKET
(FITS GARED PRO-S ONLY)

RETAINING CLIP

LOCKING PIN

REV	BY	DATE




Gared Holdings, LLC
9200 E. 146th St. Noblesville, IN 46060

THIS DOCUMENT CONTAINS TRADE SECRET AND OTHER MATERIALS WHICH ARE PROTECTED BY CONFIDENTIALITY NOTICE AND AGREEMENT AND BY COPYRIGHT. ANY USE OR COPYING OF THIS DOCUMENT EXCEPT AS AUTHORIZED BY GARED HOLDINGS, LLC IS STRICTLY PROHIBITED.

QUICK CONNECT MTG - GARED PRO-S

DRAWN CONNERLEY	DATE 1/9/2010	DATE ISSUED 1/9/2010
APPROVED CONNERLEY	DATE 1/9/2010	

FILE LOC. Q:\Inventor Files\Specification Files\02_Portables\

SIZE A	SCALE NONE	SHT. NO. 1 OF 1	PART NO. 9806	REV
------------------	---------------	--------------------	-------------------------	-----



Model 9806

Quick Connect™ Mounting Plates Fits Gared Pro-S Portable

GENERAL

The **GARED**® Quick Connect™ mounting plates are a specially designed backboard connection device that allows arena managers to quickly replace a malfunctioning backboard on **GARED**® direct mount portable backstops. By simply removing three (3) retaining pins and lifting the backboard off the holding rod, the backboard can be stored the **GARED**® Quick Connect™ cart thus reducing the labor and time to remove, replace, or simply store a backboard.

MATERIAL

The mounting plates frame shall be constructed of heavy gauge steel, formed and fitted to provide a smooth connection between the coupling bracket and the board mounting bracket

FINISH

Each unit shall be finished in a white powder coat enamel finish. Custom colors are available upon request.

OPTIONS

The model 9806 fits Gared Pro-S portable units

Use Model 9805 for the Gared Pro-H units