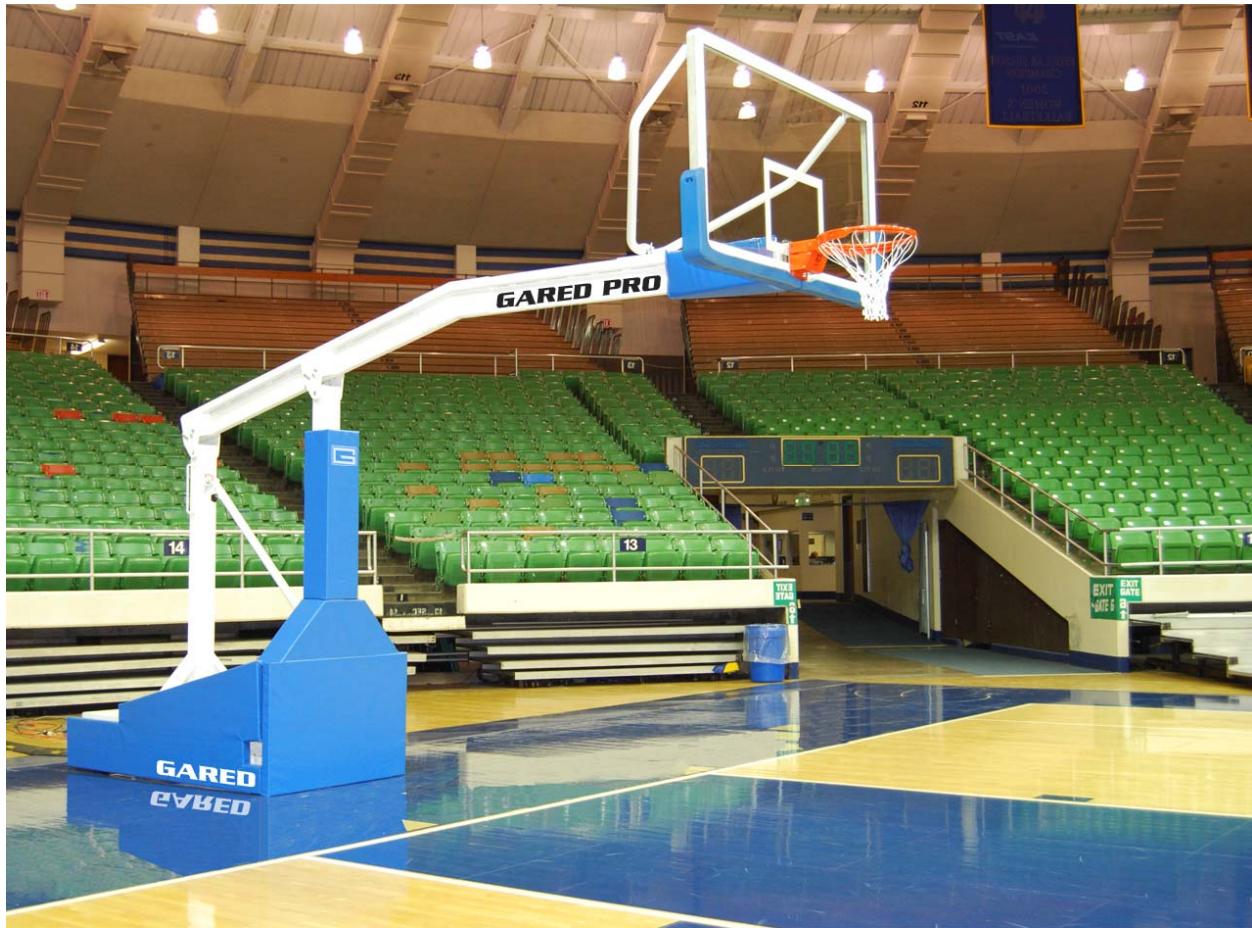




Gared Pro-S Portable Backstop
Models: 9616 & 9618



Installation, Operation and Maintenance Instructions

Please read all instructions before attempting installation or operation of these units

SAVE THESE INSTRUCTIONS FOR FUTURE USE

PUBLICATION No.
5 5 1 7 5 4 7 6 0

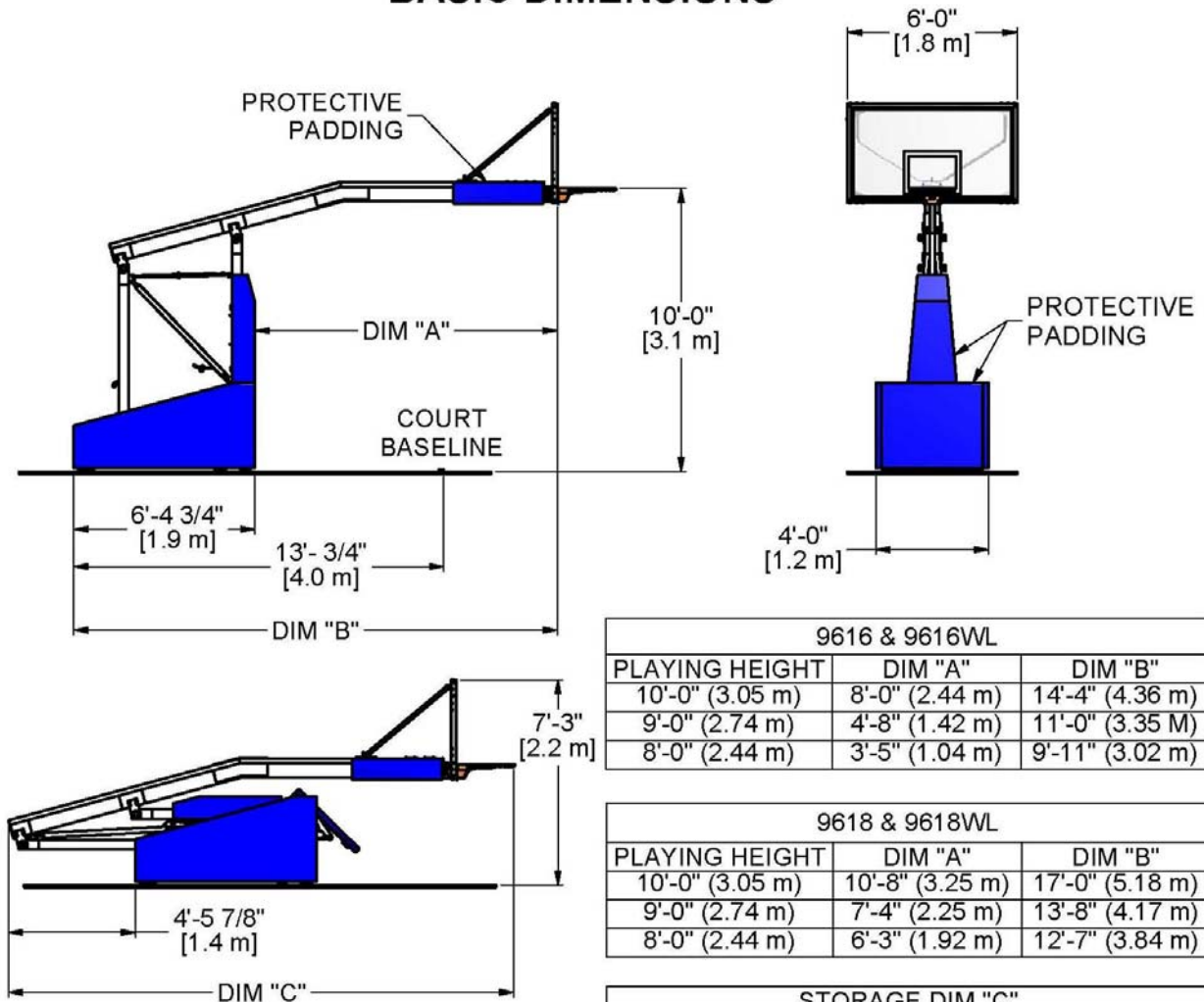
Issued
April 30, 2010



Gared Pro-S Portable Backstop



BASIC DIMENSIONS



9616 & 9616WL		
PLAYING HEIGHT	DIM "A"	DIM "B"
10'-0" (3.05 m)	8'-0" (2.44 m)	14'-4" (4.36 m)
9'-0" (2.74 m)	4'-8" (1.42 m)	11'-0" (3.35 M)
8'-0" (2.44 m)	3'-5" (1.04 m)	9'-11" (3.02 m)

9618 & 9618WL		
PLAYING HEIGHT	DIM "A"	DIM "B"
10'-0" (3.05 m)	10'-8" (3.25 m)	17'-0" (5.18 m)
9'-0" (2.74 m)	7'-4" (2.25 m)	13'-8" (4.17 m)
8'-0" (2.44 m)	6'-3" (1.92 m)	12'-7" (3.84 m)

STORAGE DIM "C"	
9616 & 9616WL	9618 & 9618WL
15'-7/8" (4.59 m)	17'-10" (5.44 m)



Gared Pro-S Portable Backstop



Table of Contents

<u>Section</u>	<u>Page No.</u>
Introduction	2
Cautions and Warnings	3
Parts Checklist	4
Assembly and Setup	6
Unit Operation	12
Maintenance	13



Gared Pro-S Portable Backstop



Introduction

Thank you for your purchase of a Gared Sports model Gared Pro-S Portable backstop. To ensure that our equipment will provide years of use to you, we are including this installation, operation, and maintenance guide. This guide will provide information on the proper assembly and installation methods, operating procedures, and preventative maintenance of your portable backstop.

Please note that a Bill of Materials is being included with this guide. Please check that all of the parts called out on the Bill of Materials are present prior to beginning assembly and setup. Please do not substitute for factory parts. Please contact the Gared Sports customer service department and allow them to determine if substitute parts are acceptable.

It is recommended that an individual who has been properly trained perform assembly and set up of the backstop. No one under the age of 18 should attempt assembly or set up of the unit, unless properly supervised.

To prevent normal wear and tear from shortening the life of the unit, preventative maintenance inspections and repairs should be performed at least once per year. If the units are subject to high or unusual usage, inspections should be scheduled to occur more frequently. If items are found to be nonconforming, replacements can be ordered from Gared Sports or one of our authorized dealers. When contacting Gared Sports, please have information regarding the dealer/installer who sold the unit, the name of the project, and any applicable warranty information.



Gared Pro-S Portable Backstop



Read and understand the following warnings to prevent possible personal injury and potential damage to the equipment during assembly, setup, and operation.

⚠ DANGER

DO NOT CLIMB ON GOAL, BANKBOARD OR BACKSTOP.

THIS UNIT IS DESIGNED FOR A SPECIFIC OPERATING WEIGHT AND THE ADDED WEIGHT COULD CAUSE DAMAGE AND/OR SERIOUS INJURY TO PERSONNEL.

2036-31-00

⚠ WARNING

DO NOT REMOVE SHIPPING BRACE BEFORE INSTALLING BACKBOARD AND GOAL. REMOVING BRACE WITHOUT BACKBOARD INSTALLED COULD RESULT IN SERIOUS PERSONAL INJURY AND/OR DAMAGE TO UNIT.

126453732

⚠ WARNING

REAR ANCHOR POINT MUST BE ATTACHED TO FLOOR ANCHOR AND FRONT LEVELING PADS MUST BE ON THE FLOOR WITH ALL WEIGHT OFF THE FRONT SWIVEL CASTERS BEFORE UNIT CAN BE USED FOR PLAY.

126453733

⚠ WARNING

DO NOT REMOVE BACKBOARD BEFORE INSTALLING SHIPPING BRACE ON MAIN BOOM. REMOVING BACKBOARD WITHOUT BRACE INSTALLED COULD RESULT IN SERIOUS PERSONAL INJURY AND/OR DAMAGE TO UNIT.

126453731

⚠ WARNING

SPRINGS ARE PRESET AT FACTORY. ADDITIONAL ADJUSTMENTS MUST BE DONE BY AUTHORIZED FACTORY PERSONNEL.

126453734

⚠ WARNING

SAFETY PIN MUST BE INSTALLED DURING USE, AND REMOVED PRIOR TO LOWERING UNIT.

126453736

⚠ CAUTION MOVING PARTS! KEEP HANDS, ARMS, BODY CLEAR DURING OPERATION

124252799

⚠ CAUTION

KEEP PERSONNEL AWAY FROM FRONT AND REAR OF UNIT WHILE RAISING OR LOWERING THE BACKBOARD

126453737

⚠ CAUTION

DO NOT STAND OR SIT ON UNIT DURING OPERATION

126453735

⚠ CAUTION

ALWAYS LOWER BACKBOARD TO FULL DOWN POSITION BEFORE ATTEMPTING TO MOVE THE UNIT.

126453740

Before proceeding with assembly, **read all instructions and assembly procedures**. Make sure all parts have been received and are not damaged.



Gared Pro-S Portable Backstop



Parts Checklist

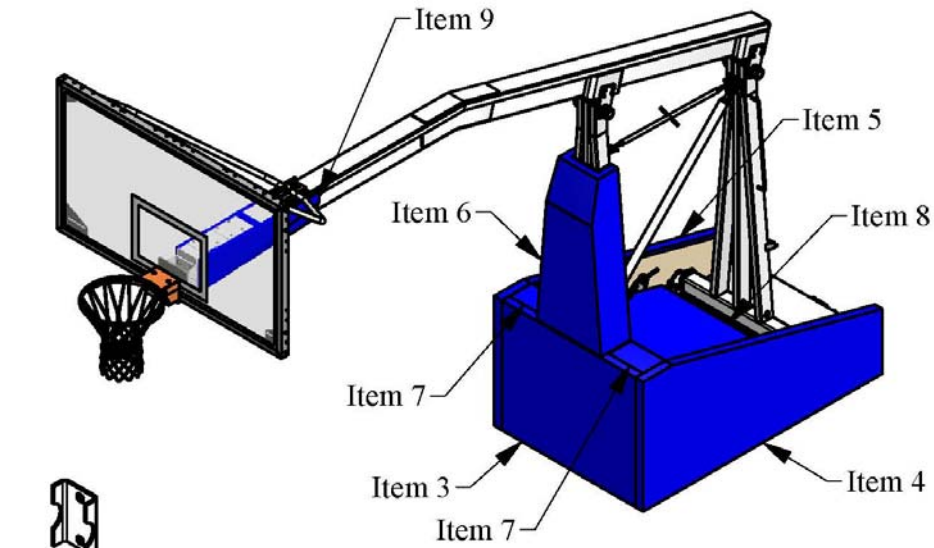
Verify all parts listed on packing list are present prior to installation.

The following parts have been packed separately

Because these units can use a variety of backboards and goals, the specific part number is not referenced in the table. Please refer to your packing slip to verify the correct board and goal has been received.

Item	Part Number	Description	Qty
1	Refer to Packing List	Backboard	1
2	Refer to Packing List	Goal	1
3	886555358	Front Base Pad	1
4	886555356	LH Base Pad	1
5	886555357	RH Base Pad	1
6	886555359	Upright Pad	1
7	886555360	Wheel Lift Pad	2
8	886555361	Center Unit Cover	1
9	886554049	Boom Pad	1
10	556453270	Backboard Brace Clamp	1
11	556453272	Backboard Brace	1
12	556453273	Backboard Brace Attachment Bracket	2
13	556453576	Quick Change Backboard Bracket	1
14	556554007	Stabilizer Screw	2
15	106553548	Leveling pad	2
16	556455329	Locator Pin	2
17	3005-15-05	Rear Anchor Tie Down Bolt	1
18	3509-15-00	1" Shaft Collar w/Set Screw	2
19	5025-08-00	¾ OD x 5/8 ID Brass Flange Bushing	2
20	101653939	Quick Change Locking Rod	1
21	6380-11-00	Hitch Pin Clip 1/8" Diameter	2
22	111084108	Clevis Pin 3/8" x 1-1/8"	2
23	111094109	Hitch Pin Clip 3/32" Diameter	2
24	559054111	Ratchet Wrench ½" Square Drive	1
25	559054112	Socket 1-1/2" Six Point ½' Square Drive	1
26	501-6-16-16	3/8-16 x 1" Carriage Bolt	4
27	501-6-16-36	3/8-16 x 2-1/4" Carriage Bolt	2
28	501-6-16-56	3/8-16 x 3-1/2" Carriage Bolt	2
29	502-6-16-16	3/8-16 x 1" Hex Head Bolt	4
30	548-6-16	3/8-16 Hex Whiz-Lock Nut	8
31	561-6	3/8" Flat Washer	4
32	562-6	3/8" Lock Washer	2
33	See Packing List	Rear anchor Floor Insert	1
34	111163811	¼-20 x 1.5" Grade 2 Stud	6
35	561-4	¼" Flat Washer	6
36	548-4-20	¼-20 Hex Serrated Flange Nut	6

Contact Gared Customer Service at 800-325-2682 for assistance with replacement of any parts missing or damaged.





INSTALLATION INSTRUCTIONS

Tools Required:

- Adjustable wrench with 1-1/8" to 1-12" capacity
- 1/2" wrench and socket
- 9/16" wrench and socket
- 3/4" wrench
- #2 Phillips screw driver
- Flat blade screw driver
- Allen wrench set
- Two plumb bobs with string
- Bubble type level
- Tape measure
- Hand drill
- 1" spade bit
- 3/4" drill bit
- Masking tape
- Pencil

See Installation Instruction for Rear Floor Insert (item 33) for additional tools.

Item numbers noted throughout these instructions refer to the parts listed in the parts check list on page 4.

Unpack all parts and check for damage or missing items.

1. Install a 1" Shaft Collar (item 18) onto each Stabilizer screw (item 14). Slide the shaft collar up to the Nut at the top of the stabilizer screw and loosely tighten the set screw to keep the collar from sliding during assembly.
2. Install the Stabilizer screws (item 14) into the frame as shown in figure 1. Adjust the stabilizer screw with about 1" to 1-1/2" of the screw extended below the frame brackets.

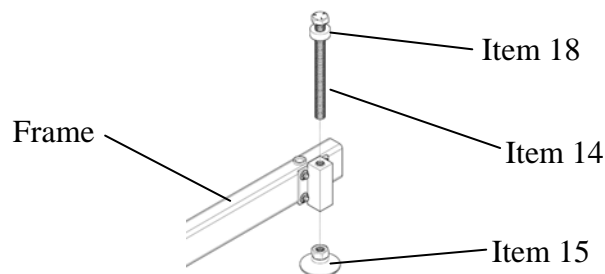


Figure 1

3. Apply Loctite[®] to the threads of the leveling pads (item 15) and attach the leveling pads to the stabilizer screw rod. Turn the nut on the leveling pad with a 1-3/8" wrench or an adjustable wrench until tight.
4. Use the ratchet and 1-1/2" socket supplied and lower the leveling pads to lift the front casters about 1/4" off the floor. Make sure the unit is raised evenly.

IMPORTANT NOTE:

Before proceeding to the next step, make sure at least three individuals are available to assist with the mounting of the backboard to the unit. A minimum of two, preferably three, individuals is required for safe assembly of the backboard to the unit.

5. Position the Quick Change Backboard Bracket (item 13) to the back of the board and install a 3/8-16 x 1" bolt with lock washer and flat washer in the lower two holes of the mounting plate and into the two tapped insert holes of the LXP backboard as shown in figure 2. Tighten these bolts securely.
6. Using the hardware supplied with the goal, insert the two carriage bolts through the top goal mounting holes on the backboard and loosely install the nuts and washers on the back side of the board. Slide the goal over the carriage bolt heads and over the studs on the front of the board. Install the flat washer, lock washer and nuts on the studs and tighten securely. Tighten the two top carriage bolts securely.

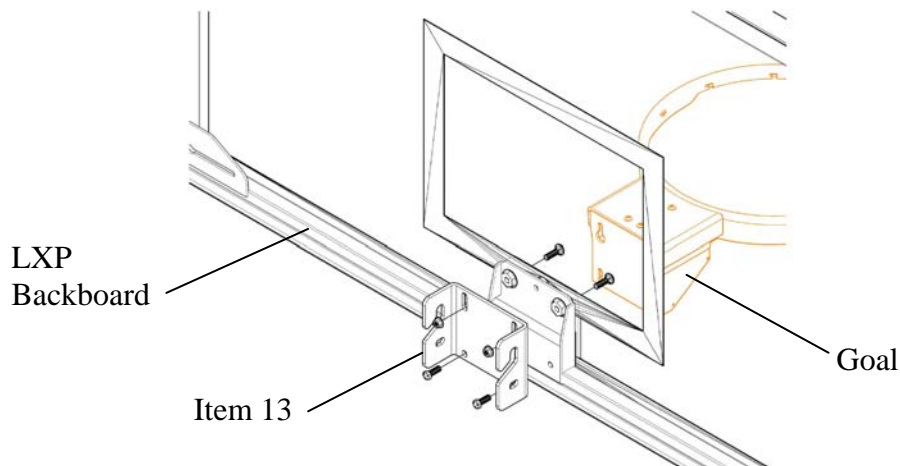


Figure 2

7. Attach the backboard brace brackets (item 12) to the top corners of the backboard as shown in figure 3. Use the 3/8-16 x 1" carriage bolts with whizlock nuts for this assembly.

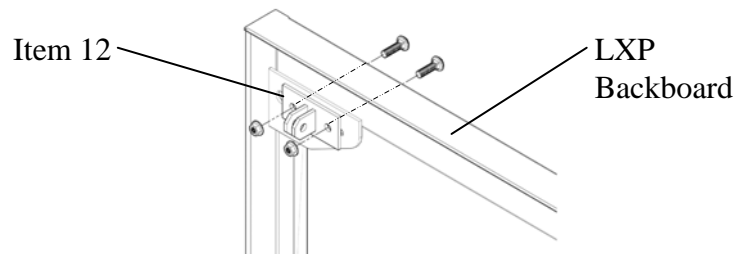


Figure 3

8. Position the backboard with the slots of the Quick Change bracket onto the pins of the bracket on the main boom as shown in figure 4. Slide the board assembly completely onto the pins and insert the Quick Change Locking Rod (item 20) through the slots and holes in the board and boom brackets. Secure the locking rod with the Retaining clips (item 21).

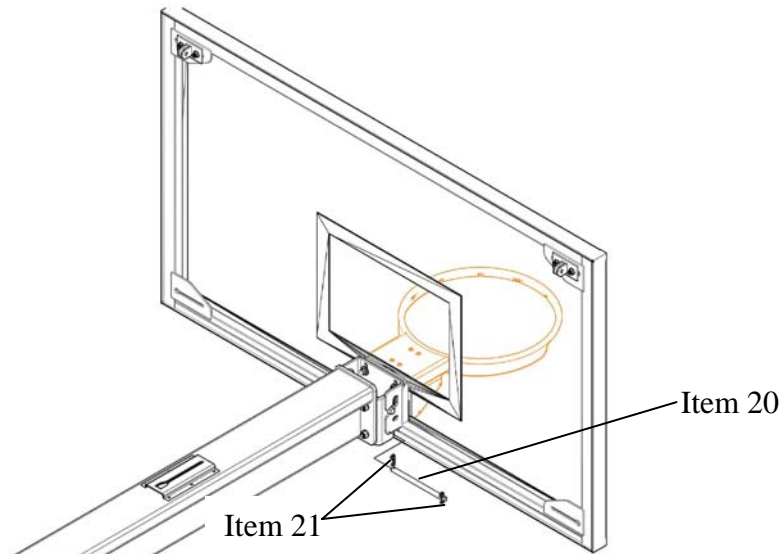


Figure 4

9. Attach the Backboard brace yoke (item 11) to the brackets installed in step 7 using the Clevis Pins (item 22) and Retainer Clips (item 23) as shown in figure 5.
10. Position the backboard brace clamp (item 10) over the yoke and yoke attachment plate on the boom as shown in figure 5. Secure the clamp with two 3/8-16 x 2-1/4" carriage bolts and whizlock nuts.

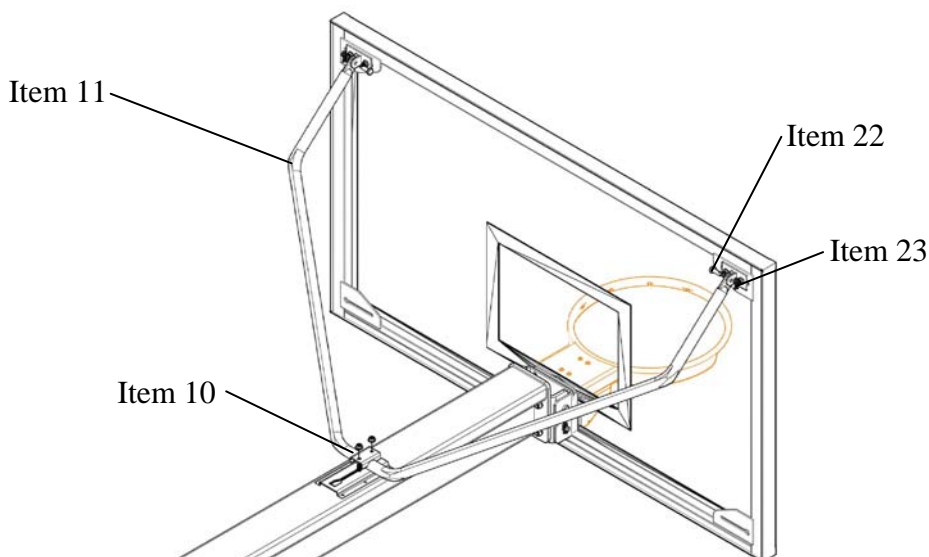


Figure 5

11. Remove the shipping bracket from the main boom and store the bracket and hardware in a location for future use when replacing backboards or storing the unit.
12. Use the ratchet and 1-1/2" socket supplied to raise the leveling pads so that the front caster wheels rest firmly on the floor.
13. Using masking tape and pencil, Mark the location of the center of the court 4'-0" from the inside edge of the court baseline (refer to figure 6). From this center mark, establish a mark 3'-0" to the left and another mark 3'-0" to the right. These marks will be used to align the face of bank to the court.

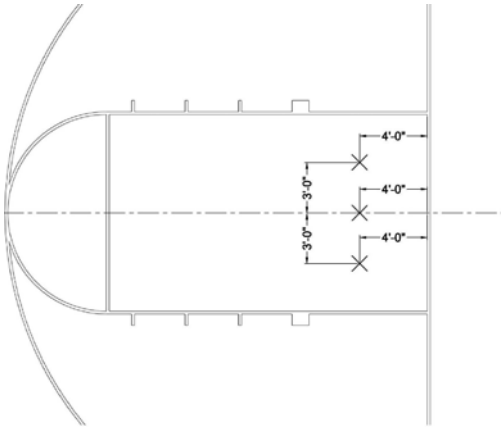


Figure 6

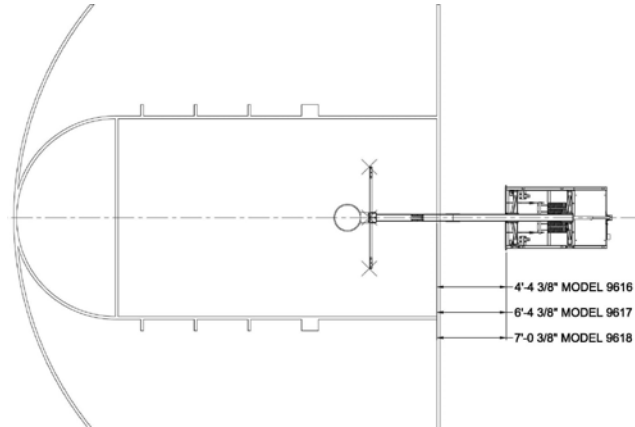


Figure 7

14. Push the unit to the playing location on the court. The unit should be centered on the centerline of the court as shown in figure 7. From the inside edge of the court baseline to the front of the frame cross tube should be about 4'-4 3/8" for the model 9616, 6'-4 3/8" for the model 9617, and 7'-0 3/8" for the model 9618.
15. Lower the leveling pads and raise the front caster wheels about 1/4" off the floor. Make sure the unit is raised evenly.
16. Remove the security pin from the sliding latch bar, loosen the hand knob (figure 8) and raise the boom to the 10' -0" playing position. Insert the safety pin into the sliding latch bar at the center of the unit (figure 9).



Figure 8



Figure 9

17. Check the 10'-0" goal height at the base of the goal. Adjust the leveling pads to obtain 10'-0" measurement, making sure each pad is raised or lowered evenly.

18. Slide the locking collar on the leveling screw down to contact the leveling screw plate and secure with the set screw. The locking collar is used to insure the leveling pads are always set at the correct height when the unit is moved or reinstalled.
19. To level the backboard in the horizontal plane, loosen the four $\frac{1}{2}$ " bolts and the one $\frac{3}{4}$ " bolt in the center of the Quick Change Bracket attached to the boom. Refer to figure 10. Level the board and tighten all bolts securely.

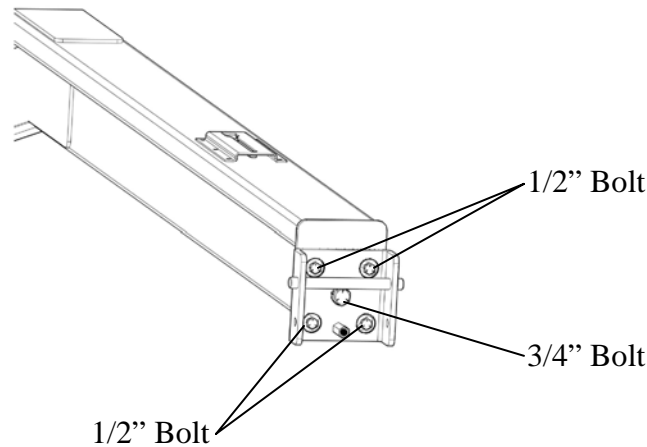


Figure 10

20. To level the backboard in the vertical plane, loosen the two carriage bolts at the board brace clamp on top of the boom. Refer to Figure 11. Using a $\frac{3}{4}$ " wrench, adjust the leveling bolt in the board mounting bracket until the backboard is plumb. Tighten the locking nuts on the leveling bolt. Tighten the two carriage bolts at the brace clamp and the two carriage bolts at each corner bracket securely.

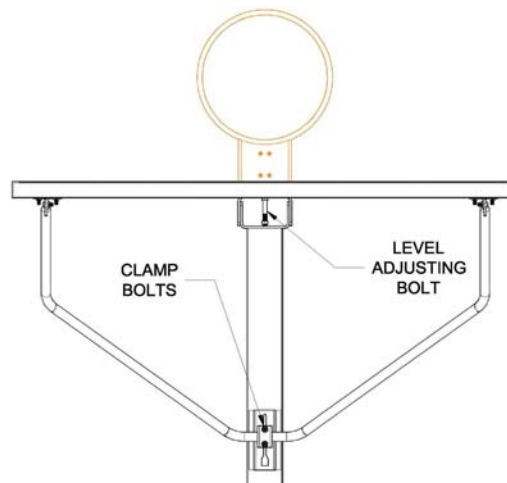


Figure 11

20. Attach plumb bobs to the front corners of the backboard. Plumb bobs should hang down from the corners to where they are almost touching the floor.
21. Check plumb bobs with marks that were located in step 13. If the plumb bobs do not line up exactly with the marks on the floor, adjust the location of the unit accordingly.

22. Once the unit is relocated and the plumb bobs are exactly on the marks located in step 13, recheck all dimensions to make sure the 10'-0" playing height is correct and the face of the backboard is 4'-0" in front of the court baseline.
23. Insert the locator pins (item 16) into the sleeves located in the bottom rail of the unit near the front caster wheels. Find the center of these pins on the floor and mark this measurement on the floor.
24. Locate the center of the rear anchor on the floor and mark this measurement on the floor.
25. Remove the safety pin from the locking bar and lower the unit to the full down position.
26. Raise the leveling pads and make sure the unit is completely on the castor wheels. Push the unit away from the playing location on the floor.
27. Refer to the installation instructions for the rear floor anchor found in the package of the floor insert (item 33) and install the insert into the floor. This insert is to be installed at the rear anchor location marked on the floor in step 24.
28. Using a 1" spade bit and drill, drill a 1/8" deep counter-bore at the locations marked on the floor in step 23. Using a 3/4" drill bit and drill, drill through the rest of the floor at the center of each of the counter-bores.
29. Insert the brass floor inserts (item 19) into the holes drilled in step 28.
30. Move the unit back into the playing position. Insert the locator pins into the floor inserts. Lower the leveling pads to the locking collar.
31. Install the rear anchor tie down bolt (item 17) on the rear of the unit and secure the anchor bolt to the floor anchor insert.
32. Attach the backboard padding to the backboard. Attach the horizontal boom pad (item 8) to the boom just behind the backboard.
33. Raise the unit to the playing position and insert the safety pin into the sliding locking bar.
34. Install the Upright pad (item 6) to the front upright using the Velcro straps.
35. Attach the front base pad (item 3) to the hinge brackets located near the base of the front upright. Attach the base pad to the hinge brackets using 1/4-20 x 1.5" studs (item 34), 1/4" flat washers (item 35), and 1/4-20 nuts (item 36). Refer to figure 12.

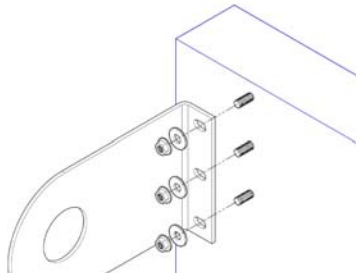


Figure 12

36. Install the wheel lift pads (item 7) to the front base pad (2 required).
37. Install the side pads by positioning the retainer clips above the frame rails and pushing the pad down.



Gared Pro-S Portable Backstop



Operation

1. Before operating the unit, read all caution, warning, and information labels.
2. To raise the unit from the stored position.
 - a. Make sure the unit is in the correct position on the court and the locator pins are inserted into the floor inserts
 - b. Make sure the rear floor anchor bolt is installed and secured to the floor anchor insert.
 - c. Remove the safety pin from the slide bar.
 - d. Using the handle on the left side of the rear upright, lift the upright and rotate to the full up position.
 - e. Install the safety pin into the slide tube locking bar.
3. To lower the unit from the playing position.
 - a. Remove the safety pin from the slide tube locking bar.
 - b. Using the handle on the left side of the rear upright, pull the upright back and rotate it to the full down position.
 - c. Install the safety pin into the slide tube locking bar.
4. If the unit is to be moved to storage, make sure the shipping bracket and threaded rod are reinstalled on the unit to prevent accidental raising of the boom. Lower the leveling pads until the unit is fully on all four casters.
5. Raise the locating pins and release the rear anchor bolt.
6. Roll the unit to the storage facility.



Gared Pro-S Portable Backstop



Maintenance

1. General inspection of equipment when used should be performed to ensure no catastrophic failures have occurred during the course of use between yearly inspections.
2. It is recommended that yearly inspections be conducted to determine if any bolts or other hardware has become worn or loosened.
3. During yearly inspections, check all joints to make sure they are tight and secure. Check all spring adjustment bolts to make sure they are tight and have not moved. Check the board and goal mounting bolts to make sure they are tight. Check the net for wear.
4. Apply a small amount of grease to the threads of the leveling pad screws.
5. Any loose bolts or nuts should be tightened.
6. Replace any components that are missing or worn.



Gared Holdings, LLC

**Performance Sports Systems
9200 E. 146th Street
Noblesville, IN 46060**

**800-848-8034
www.perfsports.com**

**Gared Sports
707 North 2nd Street
St. Louis, MO 63102**

**800-325-2682
www.garedsports.com**