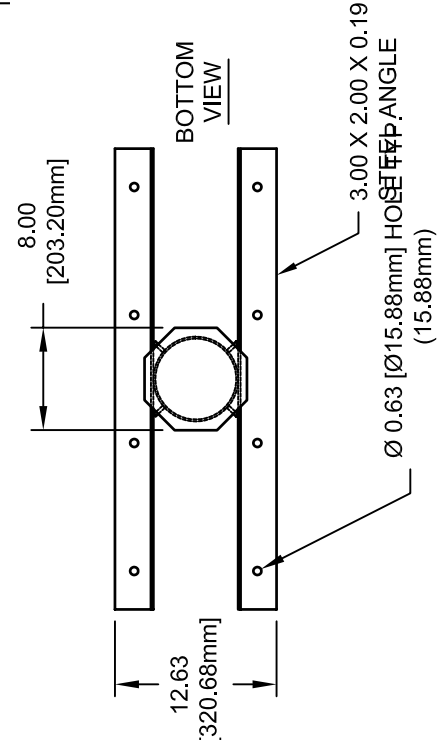
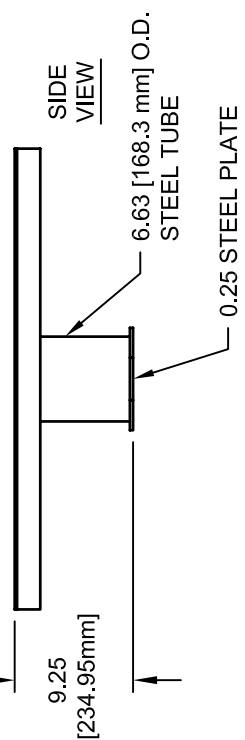
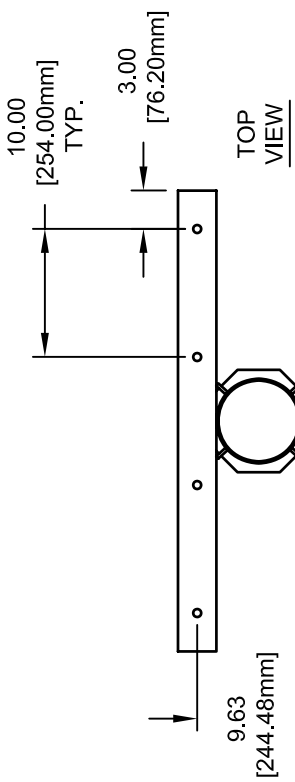
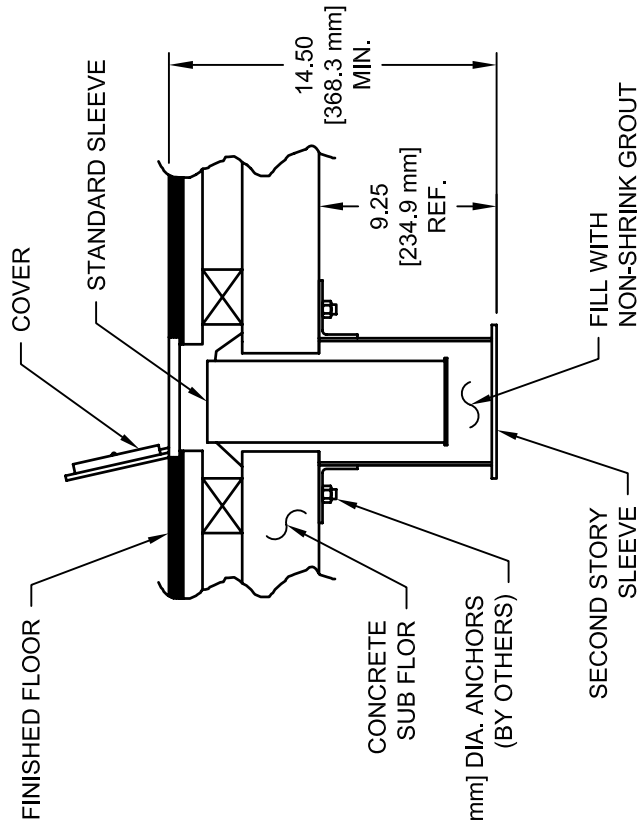


INSTALLATION DETAIL
SCALE 3:2



REVISION		
REV.	DATE	BY
A	12/17/03	MJB
B	06/02/08	RWP

Gared Holdings, LLC
9200 E. 146th St. Noblesville, IN 46060

THIS DOCUMENT CONTAINS TRADE SECRET AND OTHER MATERIALS WHICH ARE PROTECTED BY CONFIDENTIALITY NOTICE AND AGREEMENT AND BY COPYRIGHT. ANY USE OR COPYING OF THIS DOCUMENT EXCEPT AS AUTHORIZED BY GARED HOLDINGS, LLC IS STRICTLY PROHIBITED.

VOLLEYBALL ANCHOR SYSTEM

DRAWN	CONNERLEY	DATE	05/09/03	MATERIAL	N/A
APPROVED	JJC	DATE	05/09/03	FINISH	N/A
FILE LOC. Q:\Final Release\Specifications				DWG. NO.	6401
SIZE	SCALE	SHT. NO.	PART NO.	REV	
A	NONE	1 OF 1	6401	B	



MODEL 6401

SECOND STORY FLOOR SLEEVE ADAPTER

RECOMMENDED APPLICATION

Designed for use in facilities where the owner desires to install floor sleeves on floors above the ground floor or in gymnasiums over a crawl space.

SPECIFICATIONS

Second story floor sleeve adapter is constructed with 6-5/8" O.D. x .156 wall tubing and steel channels. Unit bolts to the underside of the concrete. With adapter in place, floor sleeves may be installed normally.

Subject to design change and current manufacturing practices.
Revised April 4, 2008 ©2008 Gared Holdings, LLC