



MODEL 4701 / 4102

MOLDED WALL PAD CUTOUT KITS

The wall pad cutout kits provide a quick and clean installation of wall pads when electrical outlets, light switches, or key switches need to operate through the pad. The pad is field cut around the switch box and the Molded Cutout Kit is inserted through the opening and attached to the back of the pad by staples, covering the raw edges of the cut with a durable box.

The kit shall fit a wall pad of 2" and 2 1/2" total thickness.

The Cutout Kit shall be molded of flexible, flame retardant, vinyl/rubber compound which conforms to the following specifications;

1. V-0 Classification, ASTM D-3801 Vertical Burning Test
2. UL-94
3. IEC707
4. 92 durometer (flexibility)
5. Color: Gray

Model: 4701 Molded Wall Pad Cutout Kit, Single

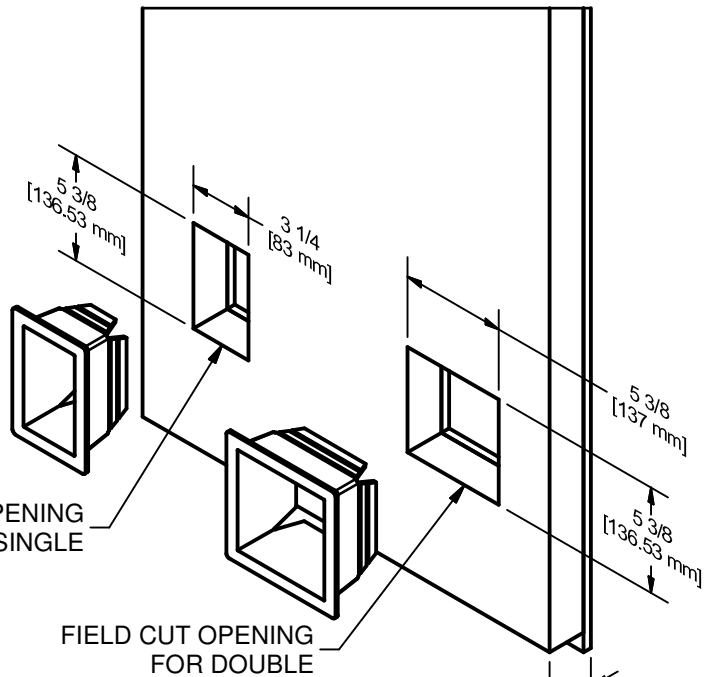
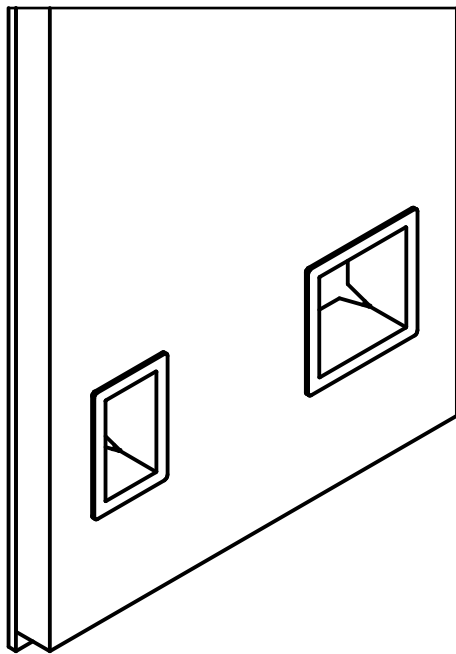
Inside openings size 2 15/16 x 5 1/16

Package of (1) one part

Model: 4702 Molded Wall Pad Cutout Kit, Double

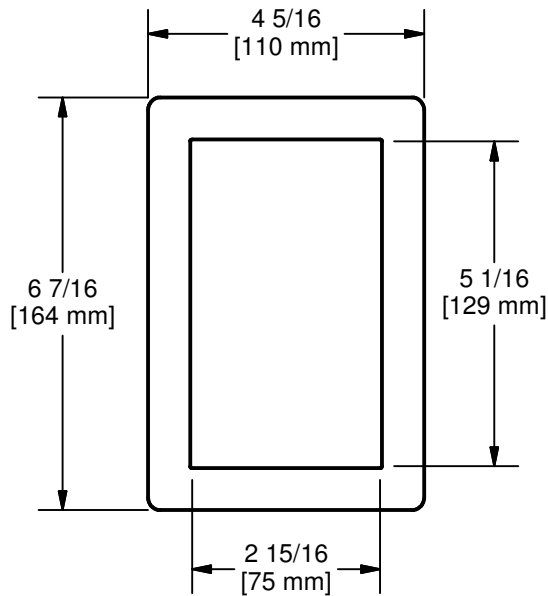
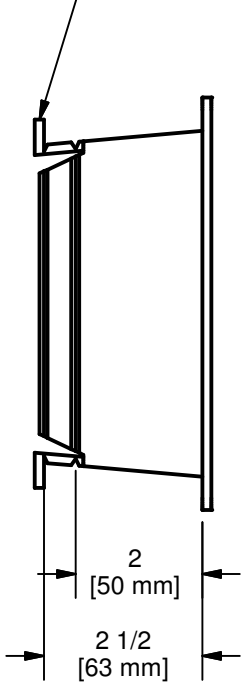
Inside openings size 5 1/16 x 5 1/16

Package of (1) one part

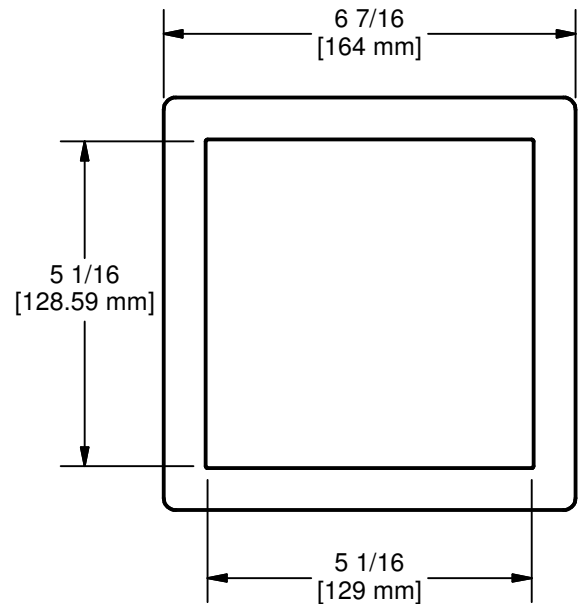


FOLD TABS TO MATCH PAD THICKNESS AND STAPLE TO BACK OF PAD.

FITS 2" OR 2 1/2" TOTAL PAD THICKNESS



4701 PAD CUTOUT KIT, SINGLE



4702 PAD CUTOUT KIT, DOUBLE

REV	BY	DATE



Gared Holdings, LLC
9200 E. 146th St. Noblesville, IN 46060

THIS DOCUMENT CONTAINS TRADE SECRET AND OTHER MATERIALS WHICH ARE PROTECTED BY CONFIDENTIALITY NOTICE AND AGREEMENT AND BY COPYRIGHT. ANY USE OR COPYING OF THIS DOCUMENT EXCEPT AS AUTHORIZED BY GARED HOLDINGS, LLC IS STRICTLY PROHIBITED.

MOLDED WALL PAD CUT-OUT KIT

DRAWN	CROSBY	DATE	1/19/2011	DATE ISSUED
APPROVED		DATE		

FILE LOC. Q:\Inventor Files\Specification Files\12_Wall Pads

SIZE	SCALE	SHT. NO.	PART NO.	REV
A		1 OF 1	4701	