

ELECTRICAL DATA:
 STANDARD ELECTRICAL CONFIGURATION IS 208V SINGLE PHASE. SEE 4090SCH FOR DETAILED WIRING DIAGRAM.
 OTHER AVAILABLE VOLTAGES ARE 220VSINGLE PHASE, 208V 3 PHASE, 220V 3 PHASE, AND 480V 3 PHASE.
 PERFORMANCE SPORTS SYSTEMS DOES NOT SUPPLY DISCONNECTS OR RECEPTACLES FOR CONNECTION TO BUILDING ELECTRICAL CIRCUIT.

WHEN SPECIFYING 3 PHASE ELECTRICAL POWER, MAKE SURE ELECTRICAL CONTRACTOR REVIEWS SPECIAL NOTES FOR MOTOR ROTATION AND LIMIT SWITCH OPERATION NOTED IN INSTALLATION MANUAL FOR 3 PHASE OPERATION.

3/4" THREADED ROD TO OVERHEAD STRUCTURE OR ADJUSTABLE BEAM CLAMP 1312 LBS 1312 LBS 1312 LBS

8'-6" 8'-6"

40' LOAD BAR ASSEMBLY

MAT STORAGE HOIST ASSEMBLY

I-BEAM BY OTHERS

BEAM CLAMP

HOIST

LOAD BAR

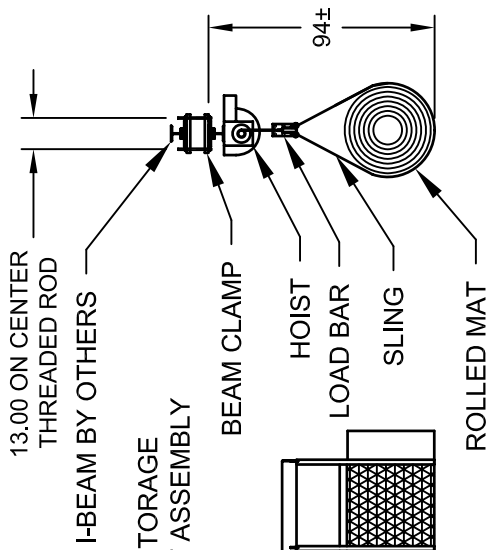
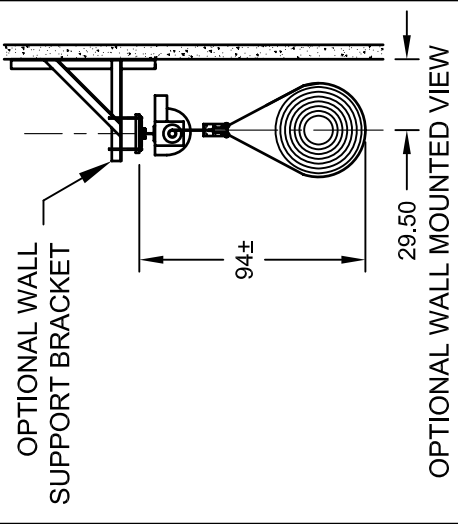
SLING

ROLLED MAT

NYLON STRAP

SLING

ROLLED MAT



WEIGHT OF 4090 MAT STORAGE HOIST ASSEMBLY	=	1660 LBS
WEIGHT OF 4090 MAT STORAGE RIGGING	=	512 LBS
WEIGHT OF (1) 42' X 42' ROLLED MAT, LOAD BAR, & SLING	=	1764 LBS
TOTAL	=	3936 LBS

NOTE: FIELD VERIFY THE STRUCTURE (SUPPLIED BY OTHERS) THAT THE MAT STORAGE ASSEMBLY WILL BE MOUNTED ON BEFORE PRODUCTION TO MAKE SURE THE PROPER CLAMPS ARE SENT FOR ATTACHMENT.

REVISION		
REV.	DATE	BY
A	12/17/03	MJB
B	09/07/07	JJC



Gared Holdings, LLC
 9200 E. 146th St. Noblesville, IN 46060

THIS DOCUMENT CONTAINS TRADE SECRET AND OTHER MATERIALS WHICH ARE PROTECTED BY CONFIDENTIALITY NOTICE AND AGREEMENT AND BY COPYRIGHT. ANY USE OR COPYING OF THIS DOCUMENT EXCEPT AS AUTHORIZED BY GARED HOLDINGS, LLC IS STRICTLY PROHIBITED.

WRESTLING MAT STORAGE SYSTEM

DRAWN	CONNERLEY	DATE	05/09/03	MATERIAL	N/A
APPROVED	JJC	DATE	05/09/03	FINISH	N/A
FILE LOC. Q:\Final Release\Specifications				DWG. NO. 4090	
SIZE	SCALE	SHT. NO.	PART NO.	REV	
A	NONE	1 OF 1	4090	B	



MODEL 4090

WRESTLING MAT STORAGE SYSTEM WITH 40' LOAD BAR FOR SINGLE SLING

RECOMMENDED APPLICATION

This unit allows user to gain storage space and reduce risk of injuries to students and coaches. Simply roll the mat into the vinyl sling, attach it to the load bar and turn the key. The mats are easily raised and stored at ceiling height. The wrestling mat storage system is available for one or two mats and can be easily mounted in most gyms.

SPECIFICATIONS

OVERHEAD SUPERSTRUCTURE

The model 4090 Wrestling Mat Storage System is supported from the roof structure by directly attaching a W6 x 25 I-beam to the underneath side of the roof truss or by attaching to additional beams supplied by general contractor.

DRIVE / SUPPORT STRUCTURE

The model 4090 Wrestling Mat Storage System shall be operated by a 2 horsepower, 208 volt, 60 cycle, single-phase instant reverse motor. Unit includes a 50 to 1 industrial C-face in-line helical gear speed reducer and a 20-ft./lbs. electric brake. One piece 2" solid keyed drive shaft runs on 3 self-aligning machined ball bearing pillow blocks. 40' long x 6" x 2" rectangular load bar is raised by three 5/16" galvanized carbon steel aircraft grade cables. Unit includes grooved cable drums to prolong cable life. The model 4090 wrestling mat hoist includes hinged access doors on all mechanical areas.

SLING

Mat sling shall be constructed of 18-ounce vinyl with twelve 2" wide nylon straps that wrap all the way around the sling. Nylon straps to have 7000# braking strength and "D" rings and self-closing hooks at end of strap.

SAFETY FEATURES

The model 4090 Wrestling Mat Storage System includes three limit switches (two up and one down) to control travel. Unit is shipped upright on metal stands for safer installation.