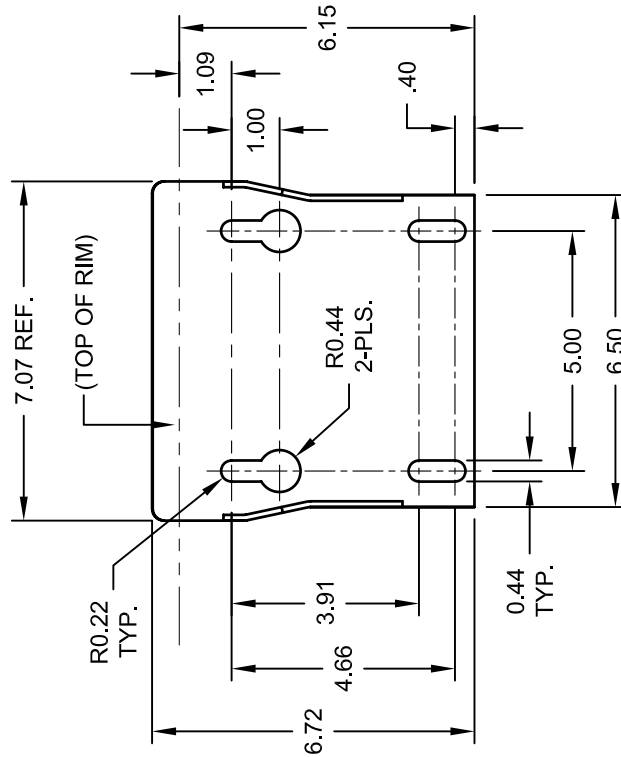
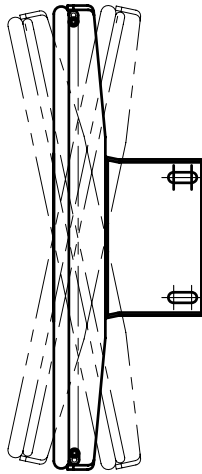
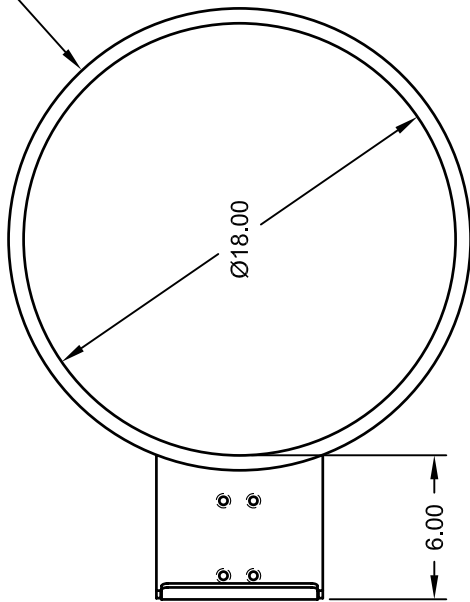
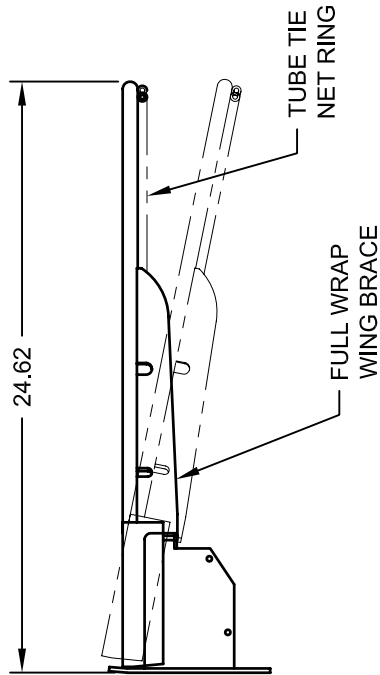


Ø0.62 STEEL ROD



MOUNTING PLATE VIEW  
SCALE 2:1



NOTE:  
FINISH - OFFICIAL ORANGE POWDER COAT.  
GOAL IS SUPPLIED WITH ANTI-WHIP NYLON NET  
AND HARDWARE.

REVISION		
REV.	DATE	BY
A	12/02/03	JJC
B	12/20/06	WAE
C	04/21/08	RWP



Gared Holdings, LLC  
9200 E. 146th St. Noblesville, IN 46060

THIS DOCUMENT CONTAINS TRADE SECRET AND OTHER MATERIALS WHICH ARE PROTECTED BY CONFIDENTIALITY NOTICE AND AGREEMENT AND BY COPYRIGHT. ANY USE OR COPYING OF THIS DOCUMENT EXCEPT AS AUTHORIZED BY GARED HOLDINGS, LLC IS STRICTLY PROHIBITED.

MULTI-DIRECTIONAL GOAL

DRAWN	CONNERLEY	DATE	10/15/06	MATERIAL	N/A
APPROVED	JJC	DATE	10/15/06	FINISH	AS NOTED
FILE LOC. Q:\Final Release\Specifications				DWG. NO.	4000
SIZE	SCALE	SHT. NO.	PART NO.	REV	
A	NONE	1 OF 1	4000	C	



## **MODEL 4000**

### **MULTI-DIRECTIONAL BREAK-AWAY GOAL**

The 4000 MDG (Multi-Directional Goal) shall be constructed with a balanced two spring design. Goal shall deflect in degrees according to the applied pressure from any position around the goal ring. Goal shall have an official sized 18" ring of 5/8" diameter steel and shall be supported by a continuous welded wrap around brace. Goal shall meet NCAA and high school requirements.

Goal shall have a tube style net connection and orange powder coated finish. Anti-whip net and hardware shall be included. Universal goal mounting plate will fit hole patterns for most 42" and 48" rectangular backboards and most fan-shaped backboards.

#### **ACCESSORIES**

#### **BACKBOARDS**

Compatible backboards are models LXP4200, AFRG42, RG, AFRG48, FSGII, 1301B, 1342B, 1370B, 1401B, 1442B, 3010RG, 3011RG, ARG, 3050RG, BB48A38, BB60A38, BB60G38, BB72A38, BB72G50, and GP72422. See backboard section in specification manual.