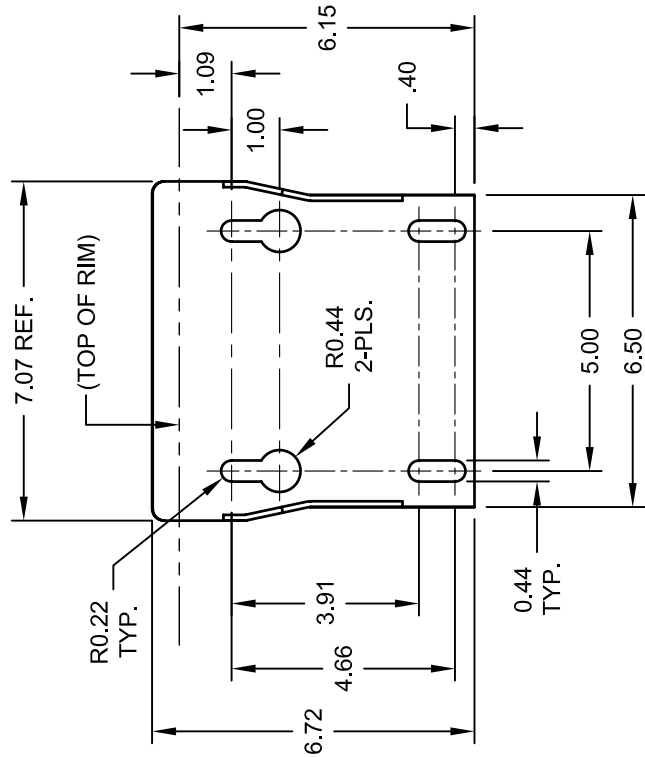
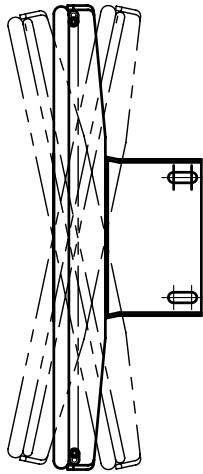
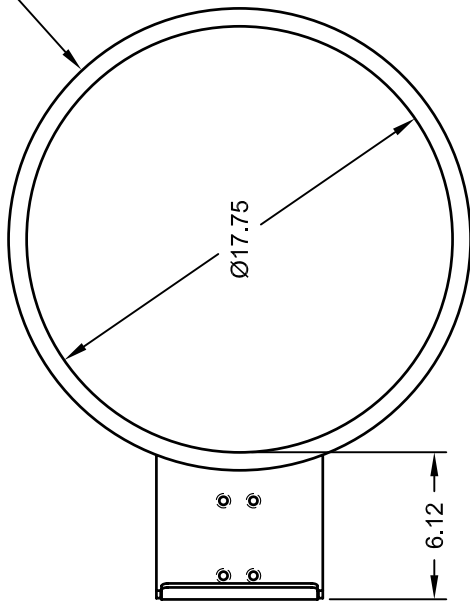
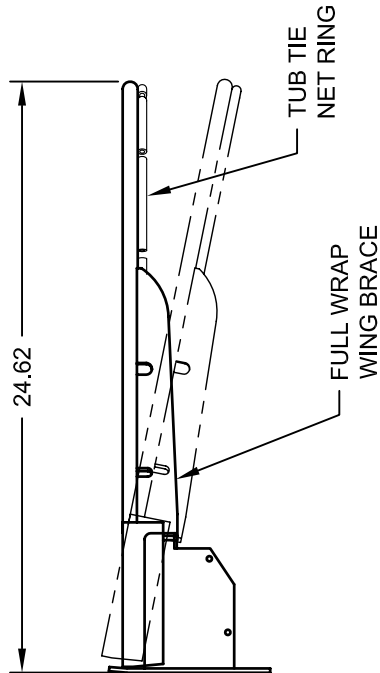


Ø0.75 STEEL ROD



MOUNTING PLATE VIEW
SCALE 2:1



NOTE:
FINISH - OFFICIAL ORANGE POWDER COAT.
GOAL IS SUPPLIED WITH ANTI-WHIP NYLON NET
AND HARDWARE.

REVISION		
REV.	DATE	BY
A	04/21/08	RWP



Gared Holdings, LLC
9200 E. 146th St. Noblesville, IN 46060

THIS DOCUMENT CONTAINS TRADE SECRET AND OTHER MATERIALS WHICH ARE PROTECTED BY CONFIDENTIALITY NOTICE AND AGREEMENT AND BY COPYRIGHT. ANY USE OR COPYING OF THIS DOCUMENT EXCEPT AS AUTHORIZED BY GARED HOLDINGS, LLC IS STRICTLY PROHIBITED.

MULTI-DIRECTIONAL INTERNATIONAL GOAL					
DRAWN	CONNERLEY	DATE	03/14/07	MATERIAL	N/A
APPROVED	JJC	DATE	03/14/07	FINISH	AS NOTED
FILE LOC.	Q:\Final Release\Specifications			DWG. NO.	40001
SIZE	SCALE	SHT. NO.	PART NO.	REV	
A	NONE	1 OF 1	40001	A	



MODEL 4000-I

MULTI-DIRECTIONAL BREAK-AWAY GOAL

The 4000-I MDG (Multi-Directional Goal) shall be constructed with a balanced two spring design. Goal shall deflect in degrees according to the applied pressure from any position around the goal ring. Goal shall have official FIBA size 17.75" ring of 3/4" diameter steel with tube tie net attachment and a durable orange powder coated finish.

Anti-whip net and hardware shall be included. Universal back plate shall accommodate most 42" and 48" rectangular and fan shape backboards. Goal shall meet FIBA specifications.

ACCESSORIES

BACKBOARDS

Compatible backboards are models LXP4200, AFRG42, RG, AFRG48, FSGII, 1301B, 1342B, 1370B, 1401B, 1442B, 3010RG, 3011RG, ARG, 3050RG, BB48A38, BB60A38, BB60G38, BB72A38, BB72G50, and GP72422. See backboard section in specification manual.

Subject to design change and current manufacturing practices.
Revised April 4, 2008 ©2008 Gared Holdings, LLC