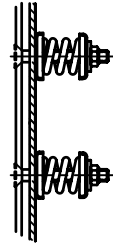
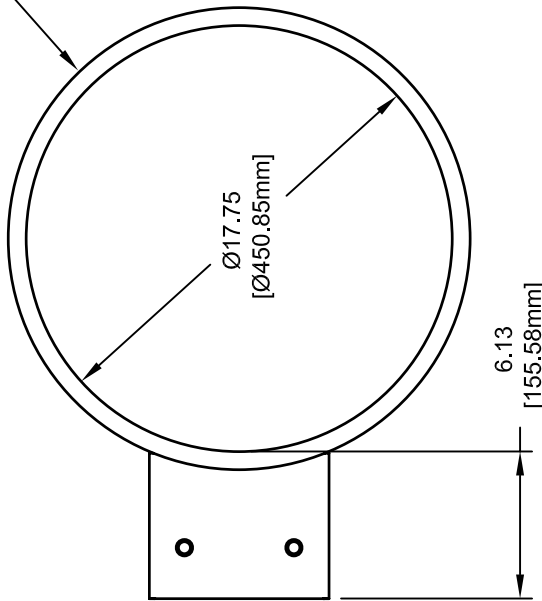


POSITIVE LOCK DETENT MECHANISM



DUAL RETURN SPRINGS

Ø0.75 [19.05] STEEL ROD



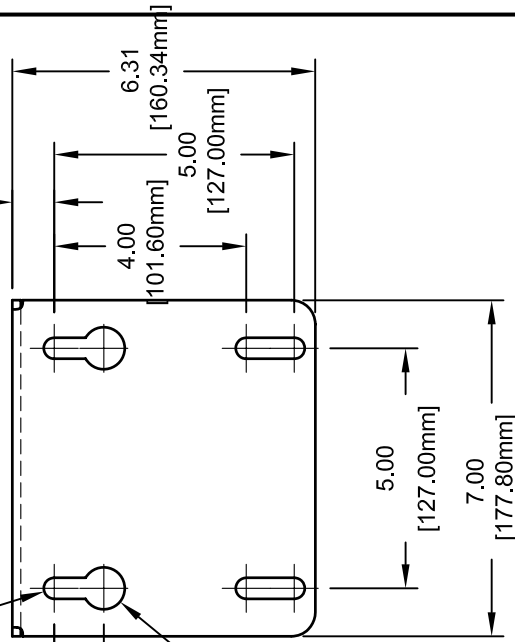
R0.22 [R5.56mm] TYP.

6.13 [155.58mm]

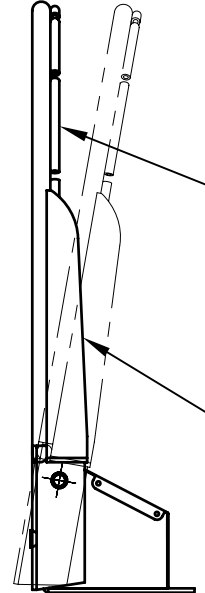
1.31 [33.34mm]

(TOP OF RIM)

0.88 [22.23mm]



R0.44 [R11.11mm] (2) PLACES



FULL WRAP WING BRACE

CONTINUOUS TUBE TIE RING

MOUNTING PLATE VIEW
SCALE 2:1

NOTE:
OFFICIAL ORANGE POWDER COAT FINISH.
GOAL IS SUPPLIED WITH ANTI-WHIP NYLON NET
AND MOUNTING HARDWARE.

REVISION		
REV.	DATE	BY
-	-	-



Gared Holdings, LLC
9200 E. 146th St. Noblesville, IN 46060

THIS DOCUMENT CONTAINS TRADE SECRET AND OTHER MATERIALS WHICH ARE PROTECTED BY CONFIDENTIALITY NOTICE AND AGREEMENT AND BY COPYRIGHT. ANY USE OR COPYING OF THIS DOCUMENT EXCEPT AS AUTHORIZED BY GARED HOLDINGS, LLC IS STRICTLY PROHIBITED.

3000 INTERNATIONAL BREAKAWAY GOAL					
DRAWN	CONNERLEY	DATE	06/17/08	MATERIAL	N/A
APPROVED	JJC	DATE	06/17/08	FINISH	AS NOTED
FILE LOC.	Q:\Final Release\Specifications			DWG. NO.	3000I
SIZE	SCALE	SHT. NO.	PART NO.	REV	
A	NONE	1 OF 1	3000I	-	



MODEL 3000I

INTERNATIONAL POSITIVE LOCK BREAK-AWAY GOAL

The 3000I goal shall be constructed with an enclosed positive lock mechanism. Goal shall be designed so that any possible entrapment areas have been eliminated. Goal shall have official FIBA size 17.75" ring of 3/4" diameter steel with tube tie net attachment and a durable orange powder coated finish. Anti-whip net and hardware shall be included. Universal back plate shall accommodate most 42" and 48" rectangular and fan shape backboards. Goal shall meet FIBA specifications.

ACCESSORIES

BACKBOARDS

Compatible backboards are models LXP4200, AFRG42, RG, AFRG48, FSGII, 1301B, 1342B, 1370B, 1401B, 1442B, 3010RG, 3011RG, ARG, 3050RG, BB48A38, BB60A38, BB60G38, BB72A38, BB72G50, and GP72422. See backboard section in specification manual.

Subject to design change and current manufacturing practices.
Revised April 4, 2008 ©2008 Gared Holdings, LLC