



Wall Mount

Models: 2500



Installation, Operation and Maintenance Instructions

Please read all instructions before attempting installation or operation of these units

SAVE THESE INSTRUCTIONS FOR FUTURE USE



2500 Wall Mount



TABLE OF CONTENTS

| <u>Section</u> | <u>Page No.</u> |
|--|-----------------|
| Introduction | 2 |
| Notice to Installers | 3 |
| Cautions and Warnings | 4 |
| Model Information | 5 |
| Parts List | 6 |
| Kits List (Kits contained within the Parts List) | 7 |
| Tools Required | 10 |
| Wood Pad Installation | 11 |
| Special Bracket Considerations | 13 |
| Unit Installation | 14 |
| Operation Guidelines | 17 |
| Maintenance | 18 |
| Maintenance Checklist | 19 |



2500 Wall Mount



INTRODUCTION

Thank you for your purchase of a Model 2500 Wall Mounted Backstop. To ensure that our equipment will provide years of use to you, we are including this installation, operation, and maintenance guide. This guide will provide information on the proper assembly and installation methods, operating procedures, and preventative maintenance of your wall mounted backstop.

Please do not substitute for factory parts!

Please contact your customer service representative and allow them to determine if substitute parts are acceptable.

It is recommended that an individual who has been properly trained perform assembly and set up of the backstop. No one under the age of 18 should attempt assembly or set up of the unit, unless properly supervised.

To prevent normal wear and tear from shortening the life of the unit, preventative maintenance inspections and repairs should be performed at least once per year. If the units are subject to high or unusual usage, inspections should be scheduled to occur more frequently. If items are found to be nonconforming, replacements can be ordered factory or one of our authorized dealers. When contacting Gared Sports or Performance Sports Systems, please have information regarding the dealer/installer who sold the unit, the name of the project, and any applicable warranty information.



2500 Wall Mount



NOTICE TO INSTALLERS

The following instructions are meant as a guide only. This guide is intended to assist you with the installation and operation of the Model 2500 Wall Mounted Backstop. Jobsite conditions will be different for each project, and conditions may change during the project. Any suggestions or tips contained herein are for general information, and may not apply to your particular installation.

Please contact Gared/PSS for additional information if you are unsure how to proceed with the installation at any time, or if jobsite or building conditions change before or during this installation, thus affecting the correct installation of this unit.

It is imperative to inspect all material being used in this installation BEFORE you begin. Confirm that materials and parts received correspond to those listed on the packing list and production drawings. If any materials or parts have been damaged during shipping or are missing as a result of shipping, you must file a freight claim with the delivering freight company. Missing or damaged material must also be noted on the Bill of Lading at the time of delivery.

If materials or parts are determined to be missing due to factory error or oversight, contact Gared/PSS immediately at 800-325-2682/ 800-848-8034.

Follow all local safety codes and OSHA regulations. Gared/PSS will not be held liable, in any way, for improper installation or faulty workmanship at the jobsite.

Before proceeding with assembly. **READ ALL INSTRUCTIONS AND ASSEMBLY PROCEDURES.** Make sure all parts have been received and are not damaged.

This backstop has been manufactured in accordance with the specifications provided by the Owner/Architect.



CAUTIONS AND WARNINGS

Read and understand the following warnings to prevent possible personal injury and potential damage to the equipment during assembly, setup, and operation.

⚠ DANGER

DO NOT CLIMB ON GOAL, BANKBOARD OR BACKSTOP.

THIS UNIT IS DESIGNED FOR A SPECIFIC OPERATING WEIGHT AND THE ADDED WEIGHT COULD CAUSE DAMAGE AND/OR SERIOUS INJURY TO PERSONNEL.

2036-31-00

⚠ CAUTION

DO NOT STAND OR SIT ON UNIT DURING OPERATION

126453735

⚠ CAUTION

ONLY TRAINED AND AUTHORIZED PERSONNEL SHOULD OPERATE THIS EQUIPMENT. OPERATION BY UNTRAINED OR UNAUTHORIZED PERSONNEL MAY RESULT IN DAMAGE TO THE BACKSTOP OR BACKSTOP STRUCTURE AND/OR INJURY TO ANYONE NEAR THE BACKSTOP.

ALWAYS MAKE SURE AREA AROUND AND BELOW THE BACKSTOP IS CLEAR OF PERSONNEL AND OBSTACLES BEFORE OPERATING THE DEVICE.

NEVER STAND DIRECTLY UNDER THE BACKSTOP DURING OPERATION.

OPERATOR MUST KEEP BACKSTOP IN VIEW AT ALL TIMES DURING OPERATION.

KEY SWITCH OR CONTROL PAD MUST BE MOUNTED IN CLEAR VIEW OF THE BACKSTOP.

NEVER LEAVE KEY IN KEY SWITCH UNATTENDED.

NEVER HANG FROM SIDES OR BOTTOM OF BACKSTOP DURING OPERATION OR WHEN BACKSTOP IS IN THE LOWERED POSITION.

CAUTION SHOULD BE EXERCISED AT ALL TIMES WHEN OPERATING THE BACKSTOP.

ALWAYS FOLLOW PROPER SAFETY RULES.

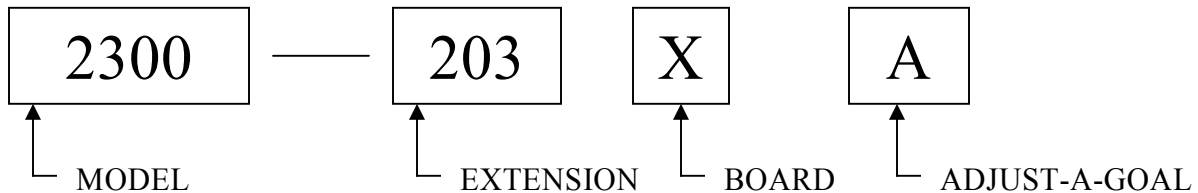
⚠ WARNING

Failure to follow proper installation procedures can result in damage to goal and possible injury to personnel.
Read and understand all installation instructions before proceeding.



MODEL INFORMATION

MODEL NUMBER DEFINITION



MODEL

- 2300 – 4 point stationary
- 2350 – 3 point stationary
- 2400 – 4 point fold up
- 2500 – 4 point side fold

EXTENSION

- 203 – 2' to 3' (see installation drawings for exceptions)
- 304 – 3' to 4' (see installation drawings for exceptions)
- 406 – 4' to 6' (see installation drawings for exceptions)
- 609 – 6' to 9' (see installation drawings for exceptions)
- 912 – 9' to 12' (see installation drawings for exceptions)

BOARD

- 0 – FAN SHAPED MOUNTING (NARROW FRAME – 35")
- 4 – RECTANGULAR BOARD MOUNTING (WIDE FRAME – 63")

ADJUST-A-GOAL

- A – With Adjust-A-Goal
- Blank – Without Adjust-A-Goal



2500 Wall Mount
PARTS LIST

| 2500 SIDE FOLD WALL MOUNT | | | EXTENSION | | |
|---------------------------|-------|--|-----------|------|-------|
| PART NUMBER: | QTY: | DESCRIPTION: | 4-6' | 6-9' | 9-12' |
| 1040-30-00 | 10 ft | 4/O STRAIGHT COIL CHAIN- ZINC | X | | |
| 1040-30-00 | 17 ft | 4/O STRAIGHT COIL CHAIN- ZINC | | X | |
| 1040-30-00 | 24 ft | 4/O STRAIGHT COIL CHAIN- ZINC | | | X |
| 154151696 | 1 ea | HARDWARE KIT, WALL MOUNT UNITS | X | X | X |
| 154151698 | 1 ea | CHAIN SUPPORT KIT | X | X | X |
| 154151699 | 1 ea | SINGLE BRACE KIT | | | X |
| 154151702 | 1 ea | SIDE FOLD ADDER KIT | X | X | X |
| 154154093 | 1 ea | SIDE FOLD ADDER KIT (NARROW NON- AAG ONLY) | X | X | X |
| 501752937 | 1 ea | MANUAL, 2500 SIDE FOLD WALL MOUNT | X | X | X |
| 504151652 | 4 ea | PIPE, FU. INNER, 4-6' | X | | |
| 504151655 | 4 ea | PIPE, FU. OUTER, 4-6' | X | | |
| 504151653 | 4 ea | PIPE, FU. INNER, 6-9' | | X | |
| 504151656 | 4 ea | PIPE, FU. OUTER, 6-9' | | X | |
| 504151654 | 4 ea | PIPE, FU. INNER, 9-12' | | | X |
| 504151657 | 4 ea | PIPE, FU. OUTER, 9-12' | | | X |
| 504152686 | 1 ea | INNER SLIDE TUBE A (NARROW FRAME) | X | | |
| 504152687 | 1 ea | OUTER SLIDE TUBE A (NARROW FRAME) | X | | |
| 504152688 | 1 ea | INNER SLIDE TUBE B | X | X | |
| 504152689 | 1 ea | OUTER SLIDE TUBE B | X | X | |
| 504152690 | 1 ea | INNER SLIDE TUBE C (WIDE FRAME) | | X | |
| 504152691 | 1 ea | OUTER SLIDE TUBE C (WIDE FRAME) | | X | |
| 504152692 | 1 ea | INNER SLIDE TUBE D (NARROW FRAME) | | | X |
| 504152693 | 1 ea | OUTER SLIDE TUBE D (NARROW FRAME) | | | X |
| 504152694 | 1 ea | INNER SLIDE TUBE E (WIDE FRAME) | | | X |
| 504152695 | 1 ea | OUTER SLIDE TUBE E (WIDE FRAME) | | | X |
| 504151670 | 2 ea | STRAP BRACING, 48" (NARROW FRAME) | X | | |
| 504151672 | 2 ea | STRAP BRACING, 69" (WIDE FRAME) | X | | |
| 504151671 | 2 ea | STRAP BRACING, 60" (NARROW FRAME) | | X | |
| 504151673 | 2 ea | STRAP BRACING, 78" (WIDE FRAME) | | X | |
| 504151670 | 4 ea | STRAP BRACING, 48" (NARROW FRAME) | | | X |
| 504151672 | 4 ea | STRAP BRACING, 69" (WIDE FRAME) | | | X |

| 2500 SIDE FOLD WALL MOUNT - WOOD PADS | | | FRAME SIZE |
|---------------------------------------|------|------------------------|--------------------|
| PART NUMBER: | QTY: | DESCRIPTION: | |
| 504151591 | 3 ea | WOOD PAD, 3.5" HC, 48" | NARROW FRAME UNITS |
| 504151590 | 3 ea | WOOD PAD, 3.5" HC, 72" | WIDE FRAME UNITS |

| 2500 SIDE FOLD WALL MOUNT - W/ AAG | | | FRAME SIZE |
|------------------------------------|------|------------------------------|--------------------|
| PART NUMBER: | QTY: | DESCRIPTION: | |
| 153954405 | 1 ea | KIT, FAN BOARD TO AAG | NARROW FRAME UNITS |
| 153954404 | 1 ea | KIT, RECT BOARD TO AAG | WIDE FRAME UNITS |
| 154155287 | 1 ea | NARROW AAG TO WM FRAME KIT | NARROW FRAME UNITS |
| 154155281 | 1 ea | KIT, AAG TO WM MTG, 4PT RECT | WIDE FRAME UNITS |



2500 Wall Mount



KITS LIST

| HARDWARE KIT, WALL MOUNT UNITS | | PART NO. 154151696 |
|--------------------------------|--------------|-------------------------------------|
| QTY. | PART NO. | DESCRIPTION |
| 1 | 1000-26-00 | BANK BOLT HARDWARE KIT |
| 1 | 1001-26-00 | GLASS BOARD GOAL BOLT KIT |
| 2 | 501-6-16-56 | BOLT, CARRIAGE 3/8" x 3 1/2" |
| 4 | 502-6-16-56Z | BOLT, HEX HEAD 3/8"-16 x 3 1/2" |
| 8 | 501-6-16-32 | BOLT, CARRIAGE 3/8"-16 x 2" |
| 4 | 502-6-16-40 | BOLT, HEX HEAD 3/8"-16 x 2 1/2" |
| 8 | 502-8-13-56 | BOLT, HEX HEAD 1/2"-13 x 3 1/2" |
| 16 | 504151706 | BUSHING, FOLDING UNITS |
| 4 | 512-6-16-6 | SET SCREW, ALLEN FLT PT 3/8" x 3/8" |
| 4 | 545-6-16Z | NUT, NYLON LOCK NUT 3/8" |
| 8 | 545-8-13 | NUT, NYLON LOCK 1/2"-13 COARSE |
| 8 | 548-6-16 | NUT, WHIZLOCK 3/8" |

| CHAIN SUPPORT KIT | | PART NO. 154151698 |
|-------------------|-------------|------------------------------------|
| QTY. | PART NO. | DESCRIPTION |
| 6 | 1113-30-00 | 5/16" QUICK LINK |
| 4 | 501-6-16-32 | BOLT, CARRIAGE 3/8"-16 x 2" |
| 2 | 504151595 | BRACKET, UPPER CHAIN/ PULLEY MOUNT |
| 4 | 548-6-16 | NUT, WHIZLOCK 3/8" |
| 2 | 7011-11-00 | 3/8" TURNBUCKLE W/ BOTH EYES |

| SIDE FOLD ADDER KIT (FAN NON -AAG) | | PART NO. 154154093 |
|------------------------------------|-------------|---------------------------------------|
| QTY. | PART NO. | DESCRIPTION |
| 1 | 1030-02-08 | LOCKING CLAMP, SIDE SWING WALL MOUNT |
| 4 | 151651768 | KIT, #116 TEE CLAMP |
| 1 | 2183-02-00 | #0183 - 1 7/8" TO 2 3/8" |
| 16 | 501651854 | SPACER BUSHING, 2 1/8" TO 2 3/8" |
| 2 | 502-8-13-56 | BOLT, HEX HEAD 1/2"-13 x 3 1/2" |
| 2 | 504151596 | HINGE, SIDE FOLD SHORT |
| 2 | 504151597 | HINGE, SIDE FOLD LONG |
| 2 | 504151600 | HINGE, WOODPAD SHORT |
| 2 | 504151601 | HINGE, WOODPAD LONG |
| 4 | 504151706 | BUSHING, FOLDING UNITS |
| 2 | 504151755 | PLATE, BOARD BRACKET |
| 1 | 504152629 | LONG UPPER MOUNT, WALL |
| 1 | 504152630 | SHORT UPPER MOUNT, WALL |
| 1 | 504152653 | SLIDE TUBE WALL BRACKET |
| 1 | 504152658 | SLIDE TUBE BOARD BRACKET |
| 4 | 504154091 | TUBE, SIDE FOLD BRACE (FAN NON - AAG) |
| 1 | 5042-02-00 | 1 7/8" MUFFLER CLAMP |
| 2 | 545-8-13 | NUT, NYLON LOCK 1/2"-13 X 2 1/2" |



2500 Wall Mount



| SIDE FOLD ADDER KIT | | PART NO. 154151702 |
|---------------------|-------------|--------------------------------------|
| QTY. | PART NO. | DESCRIPTION |
| 1 | 1030-02-08 | LOCKING CLAMP, SIDE SWING WALL MOUNT |
| 4 | 151651768 | KIT, #116 TEE CLAMP |
| 1 | 2183-02-00 | #0183 - 1 7/8" TO 2 3/8" |
| 16 | 501651854 | SPACER BUSHING, 2 1/8" TO 2 3/8" |
| 2 | 502-8-13-56 | BOLT, HEX HEAD 1/2"-13 x 3 1/2" |
| 2 | 504151596 | HINGE, SIDE FOLD SHORT |
| 2 | 504151597 | HINGE, SIDE FOLD LONG |
| 2 | 504151600 | HINGE, WOODPAD SHORT |
| 2 | 504151601 | HINGE, WOODPAD LONG |
| 4 | 504151706 | BUSHING, FOLDING UNITS |
| 2 | 504151755 | PLATE, BOARD BRACKET |
| 1 | 504152629 | LONG UPPER MOUNT, WALL |
| 1 | 504152630 | SHORT UPPER MOUNT, WALL |
| 1 | 504152653 | SLIDE TUBE WALL BRACKET |
| 1 | 504152658 | SLIDE TUBE BOARD BRACKET |
| 4 | 504152663 | TUBE, SIDE FOLD BRACE |
| 1 | 5042-02-00 | 1 7/8" MUFFLER CLAMP |
| 2 | 545-8-13 | NUT, NYLON LOCK 1/2"-13 X 2 1/2" |

| SINGLE BRACE KIT | | PART NO. 154151699 |
|------------------|-------------|----------------------------------|
| QTY. | PART NO. | DESCRIPTION |
| 2 | 1093-02-08 | #93 STRAP CLAMP ASSEMBLY |
| 1 | 151651766 | KIT, #92 STRAP CLAMP |
| 4 | 501651854 | SPACER BUSHING, 2 1/8" TO 2 3/8" |
| 1 | 502-6-16-16 | BOLT, HEX HEAD 3/8"-16 x 1" |
| 1 | 548-6-16 | NUT, WHIZLOCK 3/8" |

| KIT, RECTANGLE BOARD TO AAG | | PART NO. 153954404 |
|-----------------------------|--------------|-----------------------------------|
| QTY. | PART NO. | DESCRIPTION |
| 1 | 1000-26-00 | BANK BOLT HARDWARE KIT |
| 2 | 501-6-16-56 | BOLT, CARRIAGE 3/8" x 3 1/2" |
| 4 | 502-6-16-16 | BOLT, HEX HEAD 3/8"-16 x 1" |
| 2 | 502-6-16-56Z | BOLT, HEX HEAD 3/8"-16 x 3 1/2" |
| 4 | 502-8-13-24 | BOLT, HEX HEAD 1/2"-13 x 1 1/2" |
| 2 | 503852349 | BRACKET, ADJUSTABLE BOARD MOUNT |
| 1 | 503853428 | WELDMENT, DIRECT MOUNT EXTENSION |
| 1 | 504151666 | SUPPORT ANGLE, WM 63" CENTER |
| 8 | 548-6-16 | NUT, WHIZLOCK 3/8" |
| 4 | 548-8-13 | NUT, HEX, SERRATED FLANGE 1/2"-13 |



2500 Wall Mount



| KIT, FAN BOARD TO AAG | | PART NO. 153954405 |
|-----------------------|--------------|-----------------------------------|
| QTY. | PART NO. | DESCRIPTION |
| 1 | 1000-26-00 | BANK BOLT HARDWARE KIT |
| 4 | 502-6-16-16 | BOLT, HEX HEAD 3/8"-16 x 1" |
| 2 | 501-6-16-56 | BOLT, CARRIAGE 3/8"x 3 1/2" |
| 2 | 502-6-16-56Z | BOLT, HEX HEAD 3/8"-16 x 3 1/2" |
| 4 | 502-8-13-24 | BOLT, HEX HEAD 1/2"-13 x 1 1/2" |
| 2 | 503852349 | BRACKET, ADJUSTABLE BOARD MOUNT |
| 1 | 503853428 | WELDMENT, DIRECT MOUNT EXTENSION |
| 1 | 504151667 | SUPPORT ANGLE, WM 35" CENTER |
| 8 | 548-6-16 | NUT, WHIZLOCK 3/8" |
| 4 | 548-8-13 | NUT, HEX, SERRATED FLANGE 1/2"-13 |

| KIT, AAG TO WM MTG, 4PT RECT | | PART NO. 154155281 |
|------------------------------|-------------|---------------------------------------|
| QTY. | PART NO. | DESCRIPTION |
| 8 | 502-6-16-24 | BOLT, HEX HEAD 3/8"-16 x 1 1/2" |
| 4 | 502-8-13-32 | BOLT, HEX HEAD 1/2"-13 x 2" |
| 4 | 502-8-13-44 | BOLT, HEX HEAD 1/2"-13 x 2 3/4" |
| 1 | 504155373 | FRAME, WIDE AAG TO WM ADAPTER BRACKET |
| 8 | 548-6-16 | NUT, WHIZLOCK 3/8" |
| 4 | 548-8-13 | NUT, HEX, SERRATED FLANGE 1/2"-13 |

| KIT, NARROW AAG TO WALLMOUNT FRAME | | PART NO. 154155287 |
|------------------------------------|-------------|--------------------------------------|
| QTY. | PART NO. | DESCRIPTION |
| 8 | 502-6-16-24 | BOLT, HEX HEAD 3/8"-16 x 1 1/2" |
| 4 | 502-8-13-32 | BOLT, HEX HEAD 1/2"-13 x 2" |
| 4 | 502-8-13-44 | BOLT, HEX HEAD 1/2"-13 x 2 3/4" |
| 1 | 504155374 | FRAME AAG, WM ADAPTER NARROW BRACKET |
| 8 | 548-6-16 | NUT, WHIZLOCK 3/8" |
| 4 | 548-8-13 | NUT, HEX, SERRATED FLANGE 1/2"-13 |



2500 Wall Mount



TOOLS REQUIRED

Electric Drill
Drill bits – 9/16", 5/8"
Hammer
Wrenches – 1/2", 9/16", 11/16, and 3/4"
Ratchet Wrenches with 1/2", 9/16", 11/16, and 3/4" sockets
File
4' Level
25' Tape measure
Duct Tape
Block of wood (for tapping)
Broom
Shop-Vac
Utility Knife
Extra rope or chain

2500 Wall Mount

WOOD PAD INSTALLATION

Instructions for 2500 Side Folding Wall Mounts

- 1) Wood pads are provided for use in anchoring the units to the walls.
- 2) Verify all dimensions and locations with the General Contractor using the latest architectural prints before beginning. Also, verify floor thickness if not working over a finished floor. **NOTE: All production drawing dimensions override any dimensions contained within this manual.**
- 3) Mark the centerline of the unit on the wall utilizing the best method available.
- 4) Mark the centerline of the wood pad. Wood pads for rectangular boards are 72" wide, with predrilled bracket locations spaced 63" center to center. Wood pads for fan shaped boards are 48" wide, with predrilled bracket locations spaced 35" center to center. Anchors should be spaced to allow installation of chain and structure brackets without interference. The recommended layout is to have one anchor on each end of the wood pad (center approximately 1 13/16" from the outer most edge of the wood pad) and two evenly spaced in the center of the wood pad (see figure 1).
- 5) Next mark anchor locations on the wood pad and drill through.
- 6) Use the holes drilled in the wood pad as a template to mark the anchor holes on the wall. Mark and drill the anchor holes in the wall. PSS recommends pads be bolted through the wall with through bolts and anchor plates. When it is not possible to bolt through the wall contact the structural engineer for the building for advice.

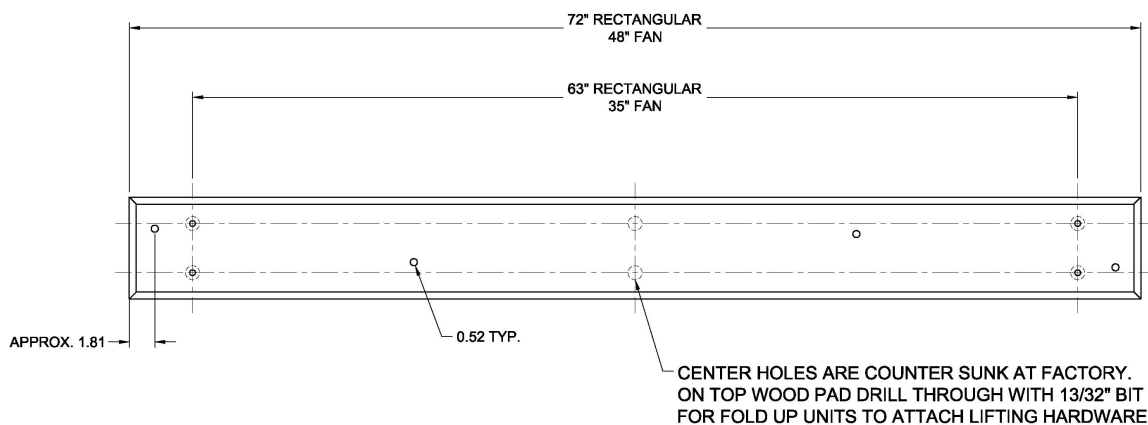
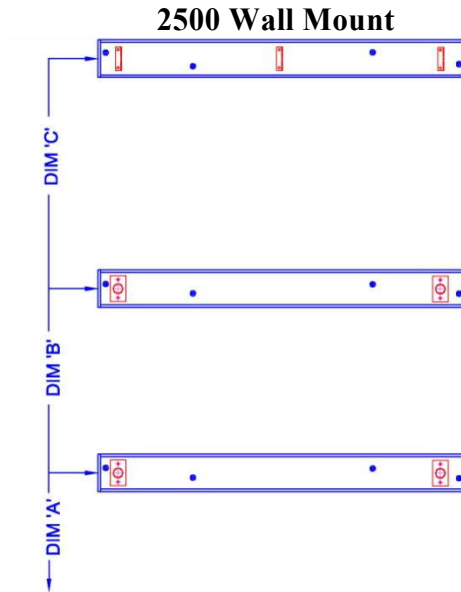


Figure 1. Generic wood pad drawing with recommended anchor locations.

NOTE: Anchor holes should not be drilled in line with each other or existing bracket holes.

- 7) Attach the brackets to the wood pad. Brackets for the chains should be spaced the same as the pipe supports. **NOTE: Attach the quick links and chains to the brackets prior to anchoring the wood pads to the wall.**
- 8) After all brackets are in place, anchor the wood pads in place on the wall, making sure to place the wood pads for chains and supports in the correct locations (per Figure 2).



NOTE: Wood pad dimensions for reference only. See production drawing for final A, B, and C dimensions. If production drawing cannot be located please contact the factory.

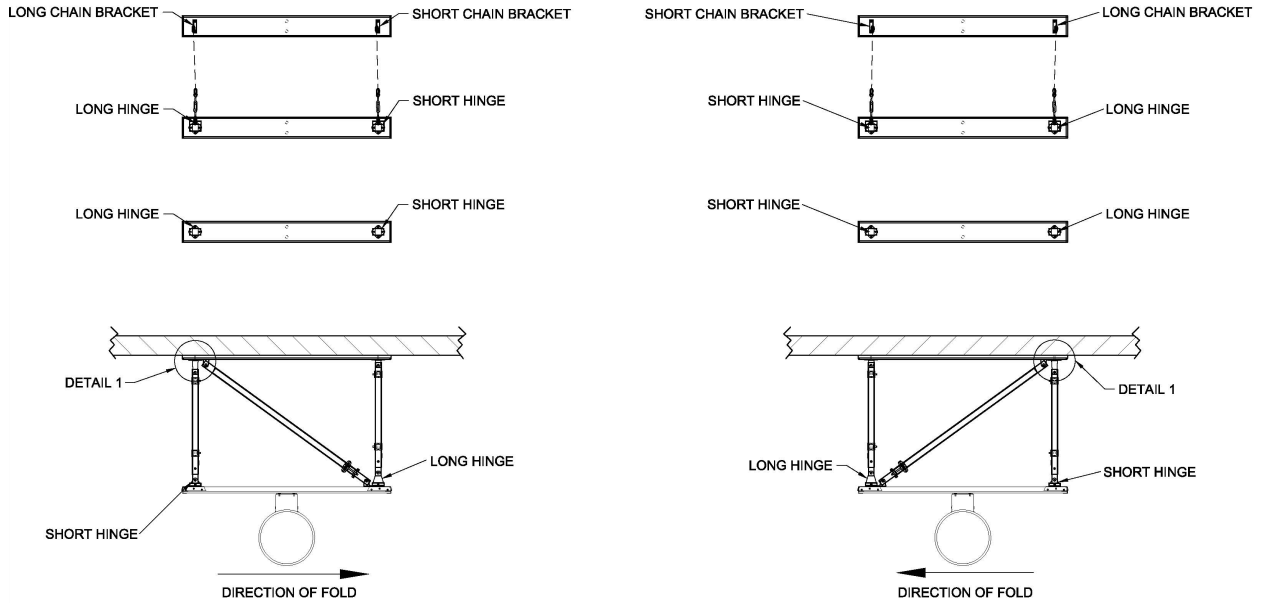
| UNITS INSTALLED WITH OR WITHOUT AAG | | |
|-------------------------------------|----------------------|-------------|
| | DIM "A" | DIM "B" |
| Rectangular or Wide Mounting | | |
| LXP 4200 | 9'-8 7/8" (2.97M) | 36" (0.91M) |
| AFRG 42 | 9'-8 7/8" (2.97M) | 36" (0.91M) |
| AFRG48 | 9'-2 11/16" (2.81M) | 42" (1.07M) |
| RG | 9'-2 11/16" (2.81M) | 42" (1.07M) |
| 1401B | 9'-2 11/16" (2.81M) | 42" (1.07M) |
| 1272PS | 9'-7" (2.91M) | 36" (0.91M) |
| 1442B | 9'-7 11/16" (2.94M) | 36" (0.91M) |
| BB72A38 | 9'-6 5/8" (2.91M) | 36" (0.91M) |
| Fan or Narrow Mounting | | |
| 1342B | 10'-1 7/8" (3.10M) | 20" (0.51M) |
| 1301B | 10'-1 5/8" (3.09M) | 20" (0.51M) |
| FSGII | 10'-1 5/8" (3.09M) | 20" (0.51M) |
| 1750B | 9'-9 7/16" (2.98M) | 20" (0.51M) |
| 1270B | 10'-0 7/16" (3.05M) | 20" (0.51M) |
| 1272B | 10'-0 7/16" (3.05M) | 20" (0.51M) |
| 1260B | 10'-0 7/16" (3.05M) | 20" (0.51M) |
| 3050RG | 10'-3 15/16" (3.15M) | 20" (0.51M) |
| 1245T | 9'-9 13/16" (2.99M) | 20" (0.51M) |

| ALL UNITS | |
|----------------------|-------------|
| FOB EXTENSION | DIM "C" |
| 0'-2' (0.0M-0.61M) | NONE |
| 2'-4' (0.61M-1.22M) | 24" (0.61M) |
| 4'-6' (1.22M-1.83M) | 35" (0.89M) |
| 6'-9' (1.83M-2.74M) | 56" (1.42M) |
| 9'-12' (2.74M-3.66M) | 79" (2.00M) |
| OVER 12' | *SEE JOB |

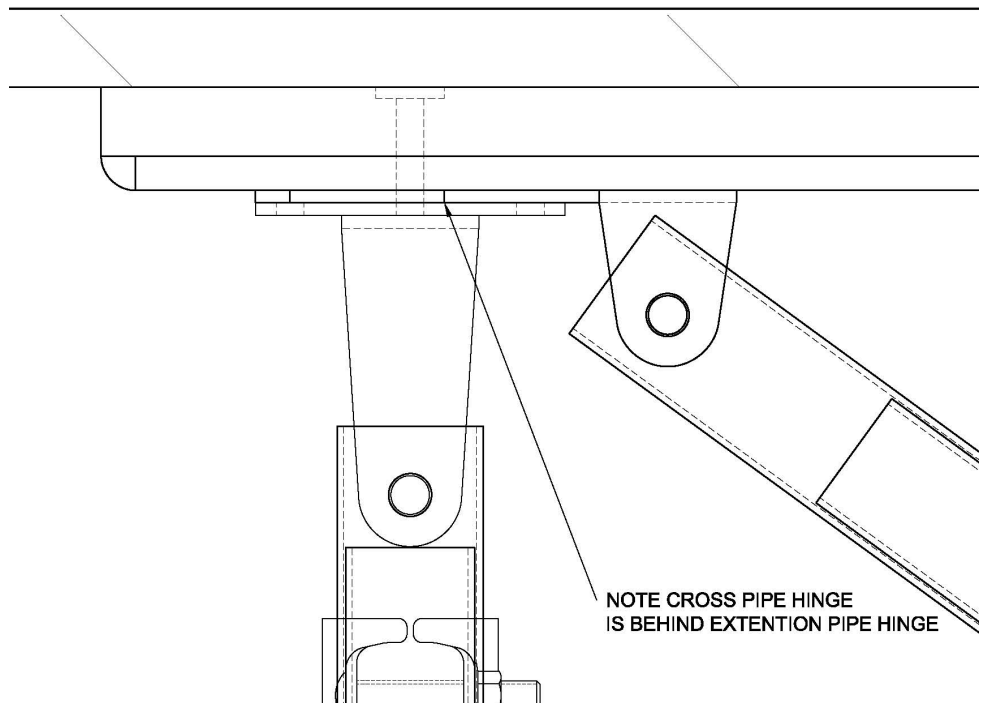
Figure 2.

2500 Wall Mount

SPECIAL BRACKET CONSIDERATIONS



Use the figures above to set up your hardware to match the direction of fold desired. Check with the General Contractor or Architect to confirm correct direction of fold. Note the placement of the cross brace pipe hinge as shown in the detail below.



2500 Wall Mount

UNIT INSTALLATION

- 1) Prepare the extension tubes by inserting bushings as shown in figure 3.

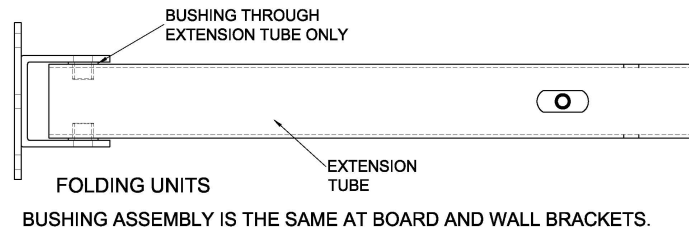
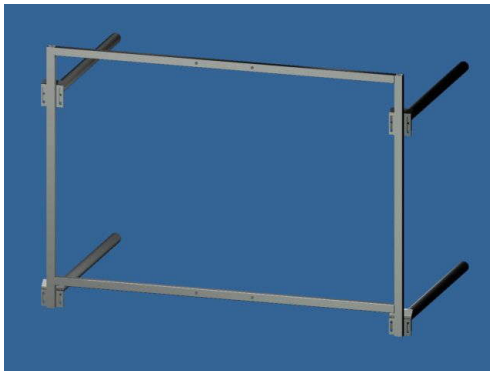


Figure 3. Bushing installation (side view)

- 2) To attach the outer extension tubes to the wall brackets, use a hex bolt and nylon lock nut as indicated on the installation drawing. **Ensure that the tube will rotate through its full range of motion after tightening the nut. Do not over tighten the nut.**
- 3) The next step is to place the inner extension tubes into the outer extension tubes. **WARNING: The extension tubes must be temporarily roped or chained off in order to hold them in place.**

Steps (4) and (5) apply to installations with an Adjust-a-Goal. Refer to instructions received with AAG, for mounting board to AAG only. If you did not receive instructions please contact factory. If your installation does not have an Adjust-a-Goal, please skip to step (6).

- 4) The Adjust-a-Goal should be assembled prior to mounting to the extension arms and prior to mounting the board.
- 5) While assembling the AAG on the ground, the AAG mounting frame can be installed on the ends of the extension tubes. Utilize eight of the 3/8"-16 x 1 1/4" hex head bolts with washers and whiz-lock nuts to attach the support plates of the frame to the end brackets of the extension tubes (refer to figure 4).



Wide



Narrow

Figure 4. Attach AAG mounting frame to extension tubes.

- 6) Connect the chains from the upper wood pad to the board mounting plate, utilizing the quick links provided.
- 7) At this point, it is equally acceptable to attach the board or hoist the adjust-a-goal into place at the end of the extension arms. **The wall mount must be supported as this is done.** If you are attaching the board, utilize the 3/8"-16 x 1" carriage bolts at the top support angle and the 3/8"-16 x 3.5" carriage bolts at the DME. To attach the adjust-a-goal, use (4) 1/2"-13 x 2" machine bolts and 1/2"-13 whiz-lock nuts.
- 8) After the board has been secured to the extension tubes, the board can be set to the proper distance from the wall, as specified by the latest architectural drawings.
- 9) To temporarily retain the extension tubes at the proper length, tighten the setscrews provided in the welded on T-nut, (see figure 5). At this time, the board should also be squared and leveled.

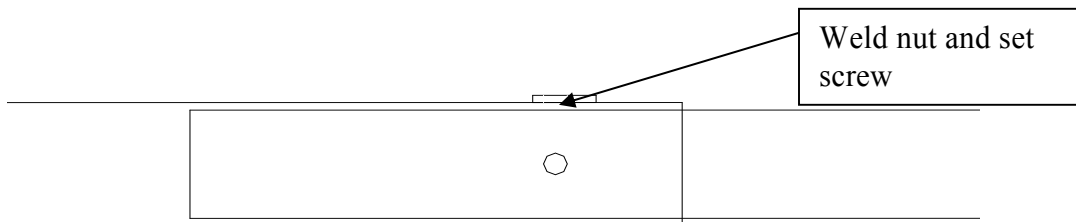


Figure 5. Close up of mating between inner and outer tubes, showing weld nut.

2500 Wall Mount

- 10) To permanently set the length of the extension arms, drill 3/8" holes through the inner tube at the predrilled location on the outer extension arms. Secure the inner tube to the outer tube with the provided hex head bolts and lock nuts (3/8"- 16x 2 1/2").
- 11) Retighten the chains from the upper wood pad to the support angle, utilizing the quick links provided.
- 12) The next step is to prepare the slide pipe to install. This consists of putting pipe A into pipe B and temporarily securing them with the provided locking clamp.
- 13) Raise the slide pipe to the level of the side fold brackets and secure one end of the slide pipe to one of the brackets using the 1/2-13 x 3 hex bolt and 1/2-13 lock nut provided.

NOTE: verify direction of folding with the latest copy of architectural drawings prior to completing installation.

- 14) Next, slide the other end of the slide pipe into the remaining side fold bracket and secure with the 1/2-13 x 3 hex bolt and 1/2-13 lock nut provided, (as shown in figure 6).
- 15) To complete the installation, attach the provided bracing pipes between the upper and lower extension arm pipes with the #116 t-clamps, (see figure 7) for an illustration.

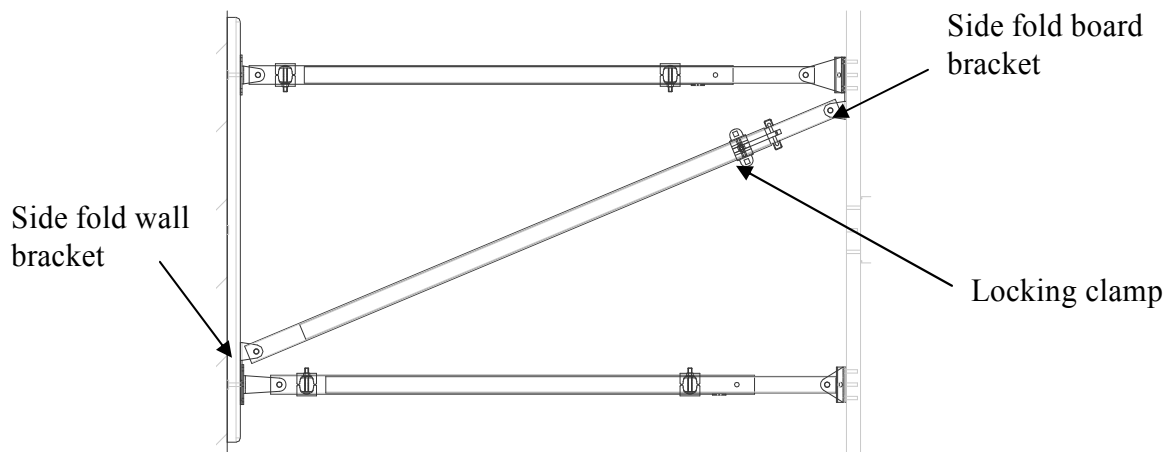


Figure 6. Slide pipe installation showing hinge brackets; slide pipes, and locking clamp. Install slide pipe on lower extensions.

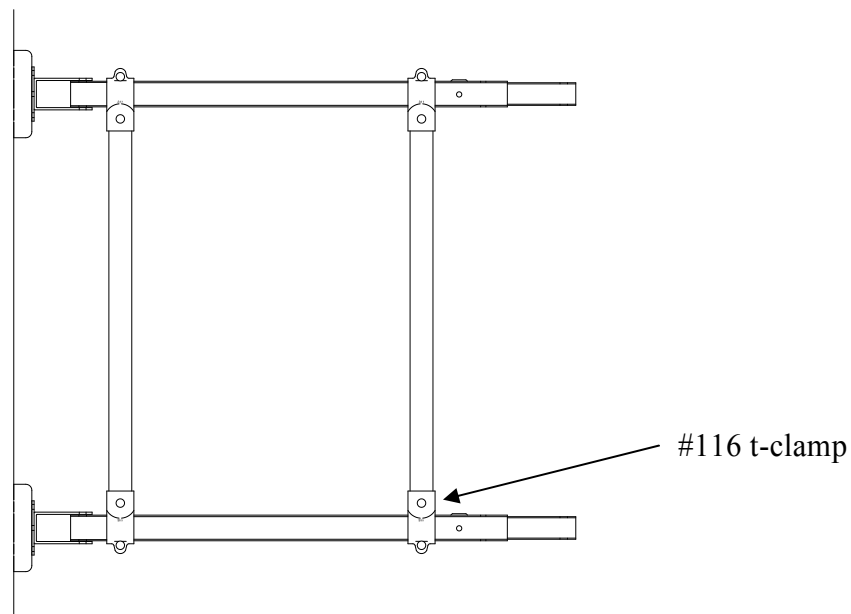


Figure 7. Bracing pipes for side fold units installed between upper and lower pipes.

16) Retighten the chains.

OPERATION GUIDELINES

- 1) For all folding backstops, only a trained adult should operate the manual and electric winches.
- 2) Keep the areas below and around the units clear while they are in motion.
- 3) Do not over turn the manual winches. This could result in the supports running into each other and binding the unit. Also, do not allow slack in the cable to develop, as this could pose a safety hazard.
- 4) Always use the equipment in the manner intended. Performance Sports Systems does not assume any liability for improperly used or improperly maintained equipment.



2500 Wall Mount



MAINTENANCE

- 1) General inspection of equipment should be performed when the unit is used to ensure no catastrophic failures have occurred during the course of use between yearly inspections.
- 2) It is recommended that yearly inspections be conducted to determine if any bolts, chain links, or other hardware has become worn or loosened. A sample check sheet has been provided for you in this guide.
- 3) During yearly inspections, all moving parts should be inspected while in operation. Key points to look for include rotation points where bushings contact metal, winches, pulleys and quick links, and the cable. The cable should be carefully inspected for any fraying or degradation of the apparent quality of the cable.
- 4) Any loose bolts or nuts should be tightened.
- 5) Check sliding components (AAG) for wear and lubricate as needed.



MAINTENANCE CHECK SHEET

Date: _____

Unit: _____

Wood Pads / Anchors

-Wood pads, splitting, chipping, etc. OK Repair Replace

-Anchors/Bolts OK Repair Replace

Unit Supports / Brackets / Hinges

-Tubes; dents, stress spots, etc. OK Repair Replace

-Bolts; loose, deformed, etc. OK Repair Replace

-Brackets/Hinges; bent, not rotating, etc. OK Repair Replace

Chains

-Chains; deforming, broken/bent links OK Repair Replace

-Hardware; Quick links OK Repair Replace

Sliding Components; AAG (IF APPLICABLE)

-Lubrication OK Repair



Gared Holdings, LLC

Performance Sports Systems
9200 E. 146th Street
Noblesville, IN 46060

800-848-8034
www.perfsports.com

Gared Sports
707 North 2nd Street
St. Louis, MO 63102

800-325-2682
www.garedsports.com