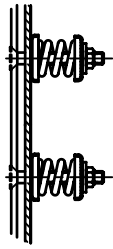
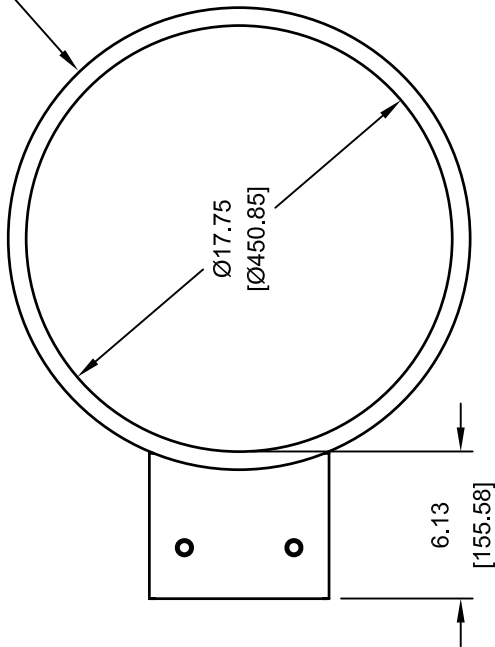


POSITIVE LOCK DETENT MECHANISM



DUAL RETURN SPRINGS

Ø0.75 [19.05] STEEL ROD



R0.22 [R5.56] TYP.

1.31 [33.34]

0.88 [22.23]

(TOP OF RIM)

6.31 [160.34]

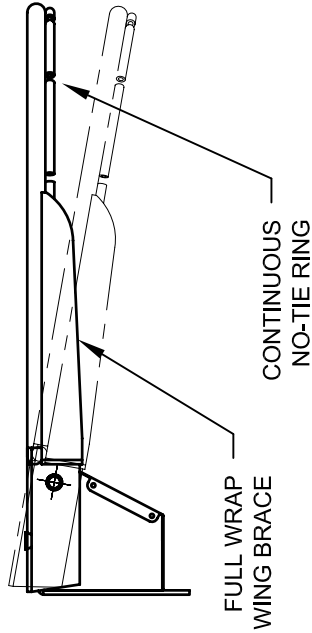
4.00 [101.60]

5.00 [127.00]

5.00 [127.00]

7.00 [177.80]

R0.44 [R11.11] (2) PLACES



FULL WRAP WING BRACE

CONTINUOUS NO-TIE RING

NOTE: FINISH - OFFICIAL ORANGE POWDER COAT. GOAL IS SUPPLIED WITH ANTI-WHIP NYLON NET, TIE CORD, AND HARDWARE.

MOUNTING PLATE VIEW SCALE 2:1

REVISION		
REV.	DATE	BY
A	12/20/06	WAE
B	04/21/08	RWP

Gared Holdings, LLC
9200 E. 146th St. Noblesville, IN 46060

THIS DOCUMENT CONTAINS TRADE SECRET AND OTHER MATERIALS WHICH ARE PROTECTED BY CONFIDENTIALITY NOTICE AND AGREEMENT AND BY COPYRIGHT. ANY USE OR COPYING OF THIS DOCUMENT EXCEPT AS AUTHORIZED BY GARED HOLDINGS, LLC IS STRICTLY PROHIBITED.

2500 INTERNATIONAL BREAKAWAY GOAL

DRAWN	CONNERLEY	DATE	12/03/03	MATERIAL	N/A
APPROVED	JJC	DATE	12/03/03	FINISH	AS NOTED
FILE LOC. Q:\Final Release\Specifications				DWG. NO.	2500-I
SIZE	SCALE	SHT. NO.	PART NO.	REV	
A	NONE	1 OF 1	2500-I	B	



MODEL 2500-I

INTERNATIONAL TOURNAMENT BREAK-AWAY GOAL

The 2500-I goal shall be constructed with an enclosed positive lock mechanism. Goal shall be designed so that any possible entrapment areas have been eliminated. Goal shall have official FIBA size 17.75" ring of 3/4" diameter steel with tube tie net attachment and a durable orange powder coated finish. Anti-whip net and hardware shall be included. Universal back plate shall accommodate most 42" and 48" rectangular and fan shape backboards. Goal shall meet FIBA specifications.

ACCESSORIES

BACKBOARDS

Compatible backboards are models LXP4200, AFRG42, RG, AFRG48, FSGII, 1301B, 1342B, 1370B, 1401B, 1442B, 3010RG, 3011RG, ARG, 3050RG, BB48A38, BB60A38, BB60G38, BB72A38, BB72G50, and GP72422. See backboard section in specification manual.

Subject to design change and current manufacturing practices.
Revised April 4, 2008 ©2008 Gared Holdings, LLC