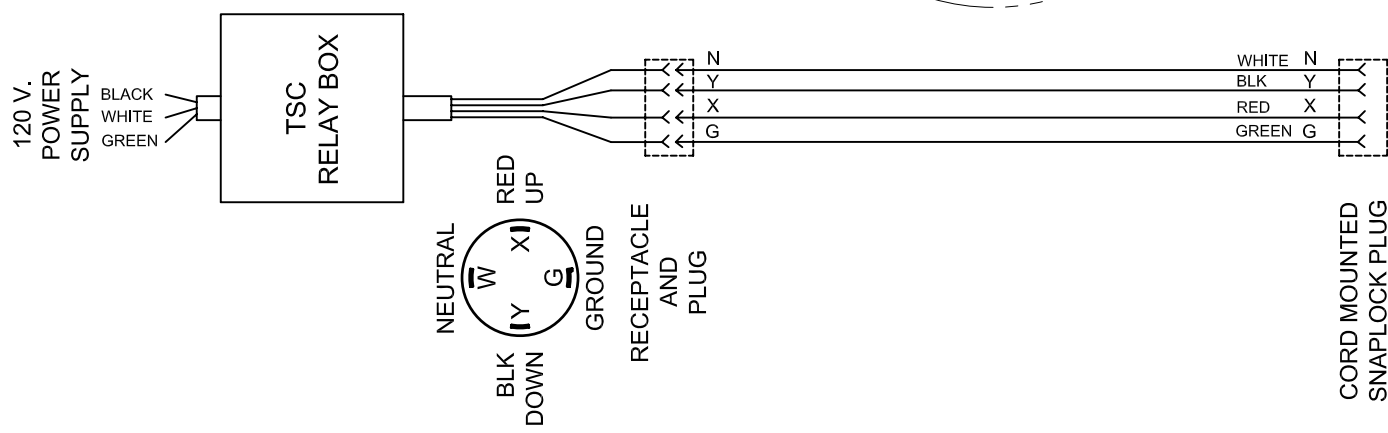
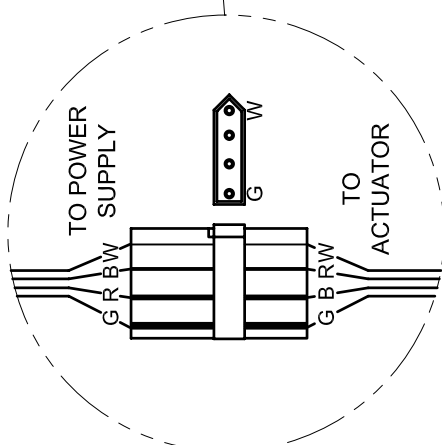
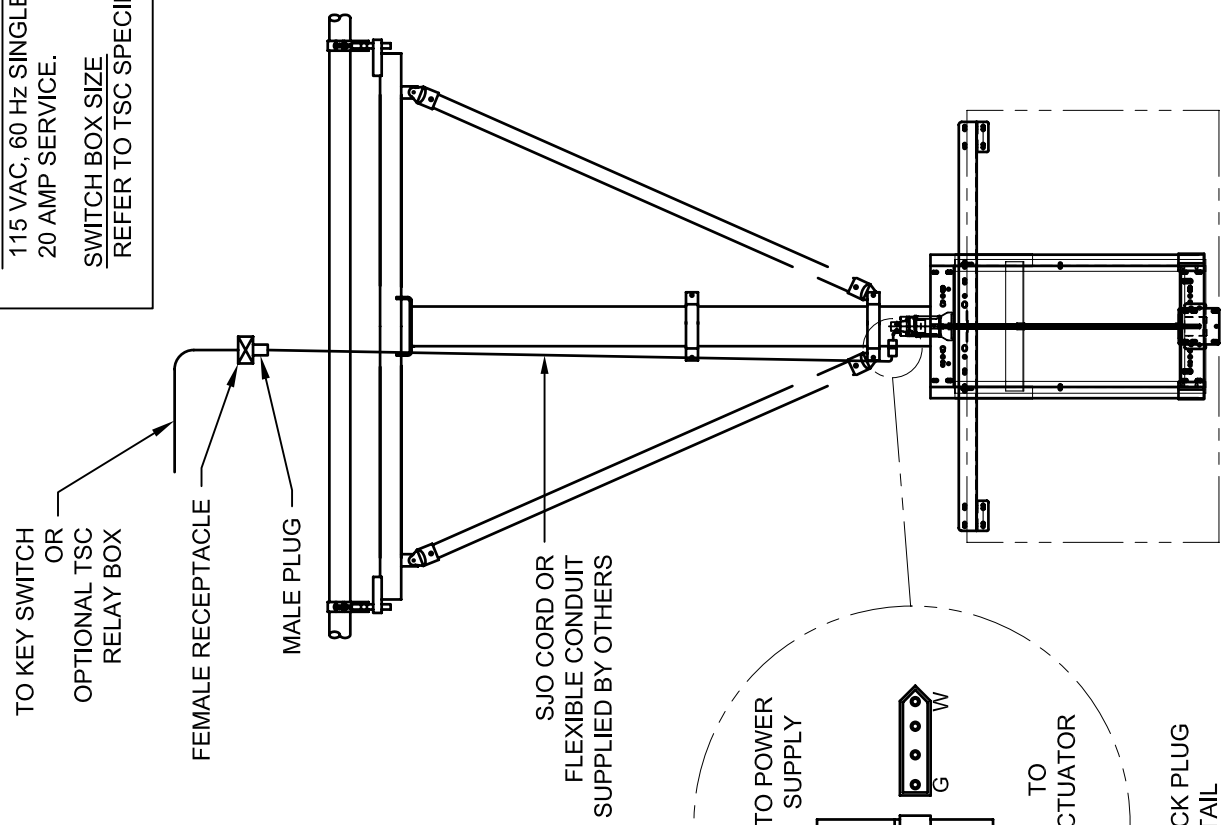


ELECTRICAL REQUIREMENTS
MINIMUM CIRCUIT REQUIREMENTS
 115 VAC, 60 Hz SINGLE PHASE,
 20 AMP SERVICE.
SWITCH BOX SIZE
 REFER TO TSC SPECIFICATION



WIRING DIAGRAM

REVISION		
REV.	DATE	BY
A	04/28/04	JJC
B	01/16/07	JJC
C	04/15/08	RWP
D	06/23/08	DWP




Gared Holdings, LLC
 9200 E. 146th St. Noblesville, IN 46060

THIS DOCUMENT CONTAINS TRADE SECRET AND OTHER MATERIALS WHICH ARE PROTECTED BY CONFIDENTIALITY NOTICE AND AGREEMENT AND BY COPYRIGHT. ANY USE OR COPYING OF THIS DOCUMENT EXCEPT AS AUTHORIZED BY GARED HOLDINGS, LLC IS STRICTLY PROHIBITED.

ADJUST-A-GOAL ELECTRICAL SCHEMATIC

DRAWN	CONNERLEY	DATE	03/18/04	MATERIAL	N/A
APPROVED	JJC	DATE	03/18/04	FINISH	N/A
FILE LOC.	Q:\Final Release\Specifications			DWG. NO.	1158-TSC
SIZE	SCALE	SHT. NO.	PART NO.	1158-TSC	
A	NONE	1 OF 1			
					REV D